

Bianchi Vending Group - Spare Parts
Catalog:

 **BV901ES01NA - LEI SA E3S MC PD A/R**

Summary

BV901ES01NA - LEI SA E3S MC PD A/R	1
BV901ES01NA - LEI SA E3S MC PD A/R DOOR	2
FRONT DOOR (1052)	3
INNER DOOR (1053)	5
BV901ES01NA - LEI SA E3S MC PD A/R CABINET	7
CABINET AND COMPONENTS OF COMPLETION (1056)	8
BV901ES01NA - LEI SA E3S MC PD A/R ESPRESSO ASSEMBLY	10
ASSEMBLY PLATE GR-CAFFE/MIXER (1057)	11
ASSEMBLY BOILER LEI ^{sa} (1058)	13
ASSEMBLY GRINDER-DOSER LEI ^{sa} (1059)	15
ASSEMBLY GRINDER LEI ^{sa} (1060)	17
ASSEMBLY COFFEE BEAN HOPPER CAFFE (1061)	19
GEARMOTOR COFFEE GROUP (483)	21
ASSEMBLY DOSER CAFFE (964)	23
GROUP COFFEE PLASTIC(1)	25
ASSEMBLY PISTON(7)	27
BV901ES01NA - LEI SA E3S MC PD A/R ESPRESSO ASSEMBLY 	29
ASSEMBLY GR-COFFEE BV 901 230V (1269)	30
ASSEMBLY MIXER BV 303/901 (1270)	32
HYDRAULIC CONNECTIONS (1271)	34
BOILER COMPONENTS (922)	36
BV901ES01NA - LEI SA E3S MC PD A/R INSTANT ASSEMBLY	38
PARTS OF COMPLETION (1051)	39
GEARMOTOR AND CANISTER DOSER (1031)	41
ASSEMBLY MIXER BV303/901 (967)	43
BV901ES01NA - LEI SA E3S MC PD A/R HYDRAULIC COMPONENTS	45
COLLEGAMENTO HYDRAULIC (1054)	46
WATER CONTAINER WATER AND CONNECTIONS (1055)	48
GR 3 ELETTR. 24V DC 2 VIE (116)	50
COMPONENTS EL-VALV. 3 VIE OLAB (930)	52
BV901ES01NA - LEI SA E3S MC PD A/R ELECTRICS & ELECTRONICS	54
ASSEMBLY SCHEDE ELETTRONICHE (1049)	55
ASSEMBLY POWER SUPPLY/ASP. LEI ^{sa} E (1050)	57
SCHEDA ESPANSIONE BV901 (1221)	59
BV901ES01NA - LEI SA E3S MC PD A/R BASE CABINET	61
BASE CABINET AND COMPONENTS (1107)	62

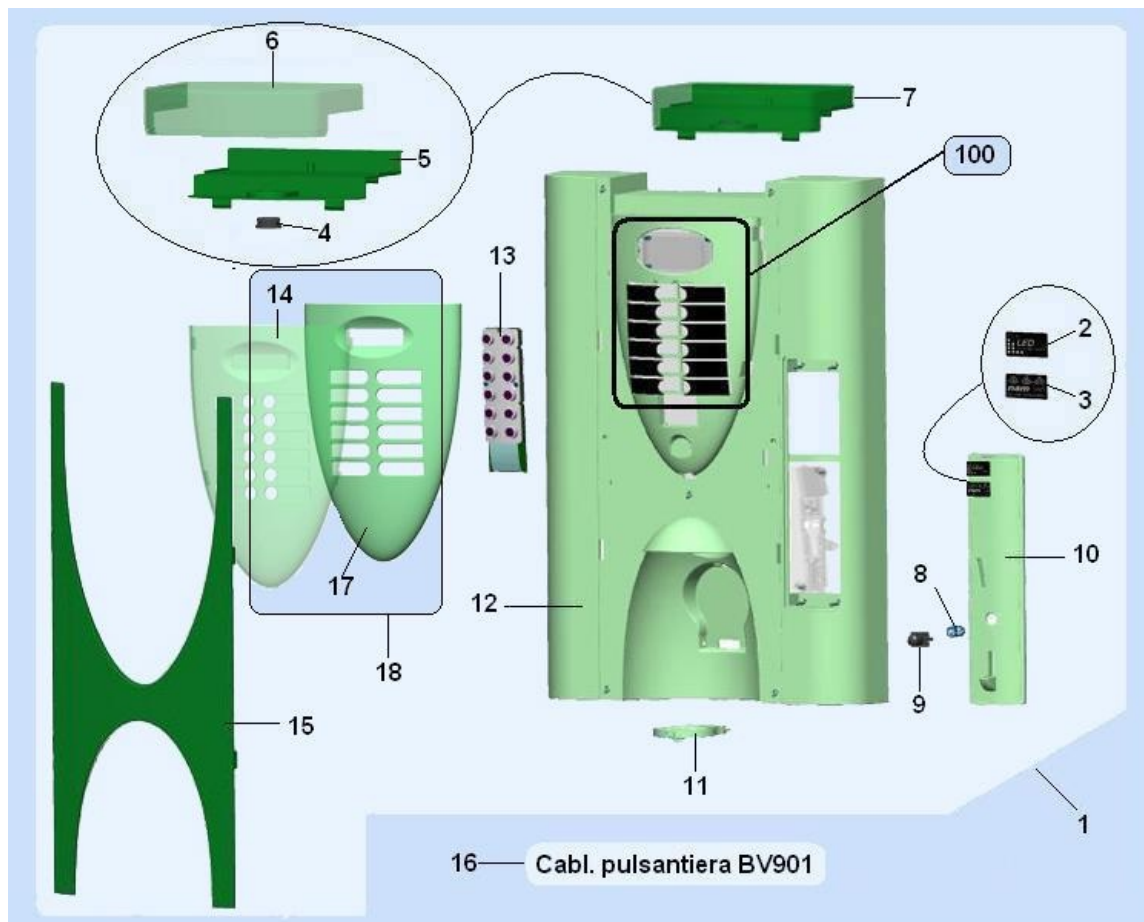
Group charts

 **BV901ES01NA - LEI SA E3S MC PD A/R**

Group charts

 **BV901ES01NA - LEI SA E3S MC PD A/R**
 **DOOR**

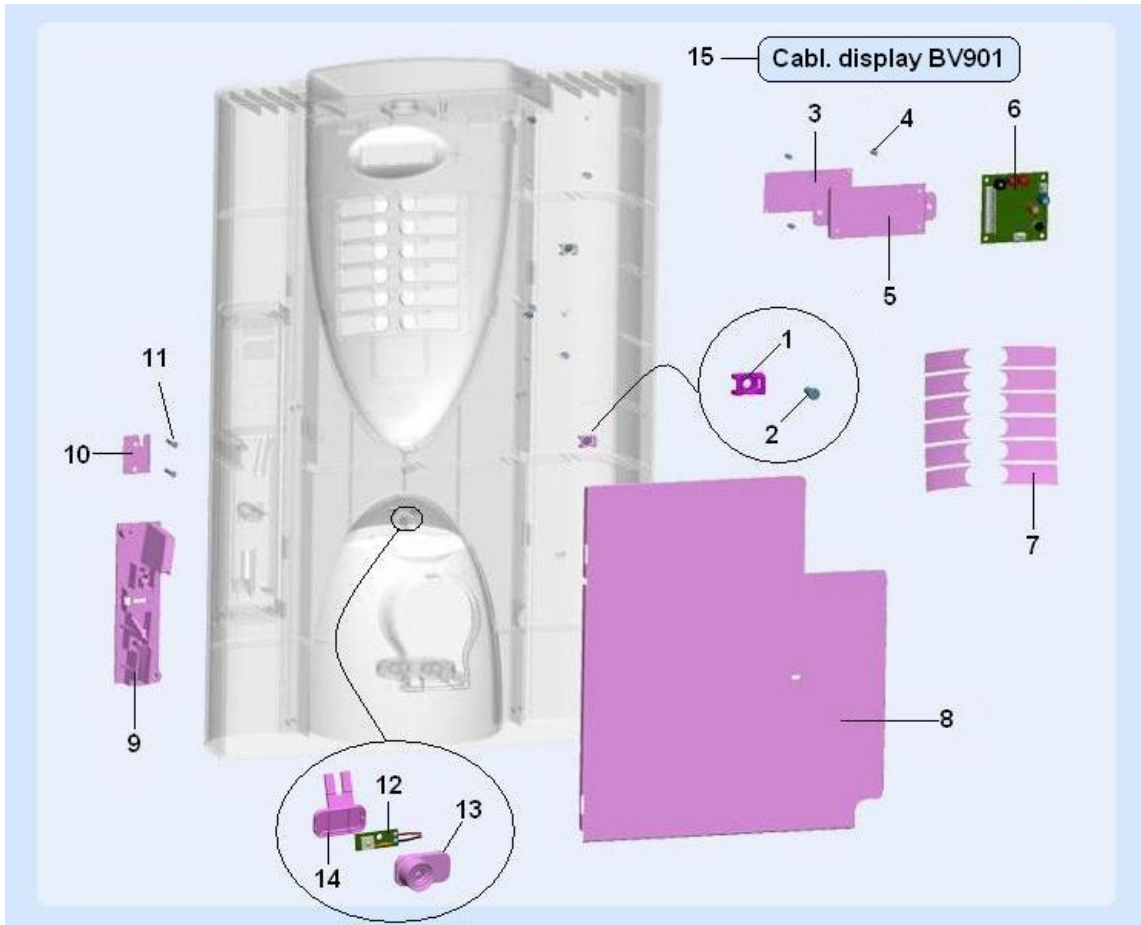
FRONT DOOR (1052)



FRONT DOOR (1052) - Item detail:

Position	Code	Options	Description
1	98102910		complete door BV901
2	30269711		sticker LED low voltage
3	30267011-01		sticker NAM antimicrobial
4	05248215M37		Suction box cap
5	05260115M00		base for coffee beans bin
6	05260015M00		upper part coffee beans bin
7	05261610		complet coffee beans bin Leisa
8	00020973		spring button
9	05145235L79		coin recov. button alluminium
10	05263615M09		payment syst panel LEIsa
13	26060012-01		capacitive keyboard assy LEISA
14	05260415M00		outer keyboard protector
15	05259915L79		door frame LEIsa
16	22194912		keyboard cable BV901
17	05260425M09		inner keyboard protector
18	05266210		keyboard protection assembly
100	2082		INNER DOOR (1053)

INNER DOOR (1053)



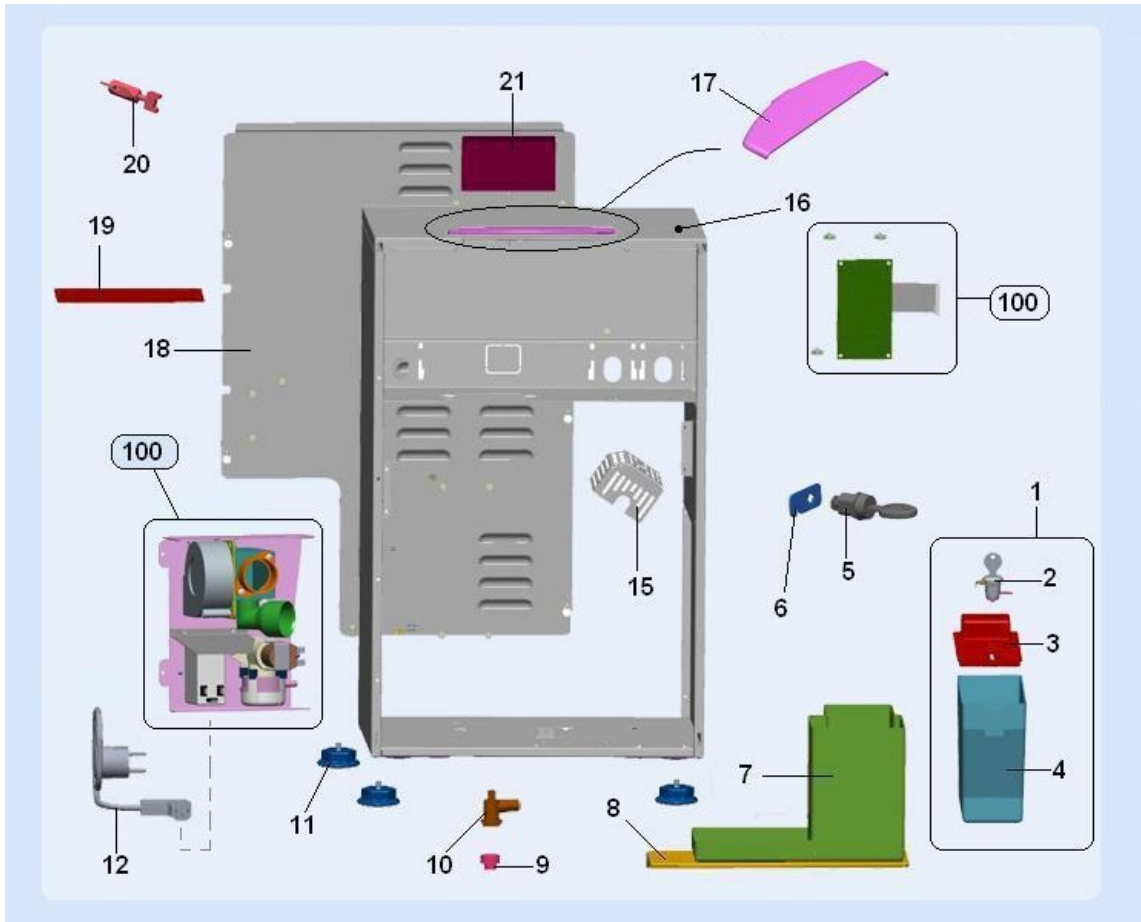
INNER DOOR (1053) - Item detail:

Position	Code	Options	Description
1	05280216		blocker FTH-13S-01
2	32010226		scew 3,5*10 TCB 2F UNI9707
3	26027122-01		display 2x16 w/c white
4	33065926		display spacerODE
5	01901911		Display support
6	26057116		capacitive display board
7	30270311-01		product labels LEISA Italian
8	01942611		panel inner door LEI SA
9	05144415M09		coin validator sup sprint/iris
10	01963611		LEIsa door lock lever stop
11	32010726		scew 3,5*20 TCB 2F UNI9707
12	26058316		cupstation light LEIsa
13	05270115M00		LED light diffuser
14	05270215M00		LED light diffuser holder
15	22193222		display cable BV901

Group charts

 **BV901ES01NA - LEI SA E3S MC PD A/R**
 **CABINET**

CABINET AND COMPONENTS OF COMPLETION (1056)



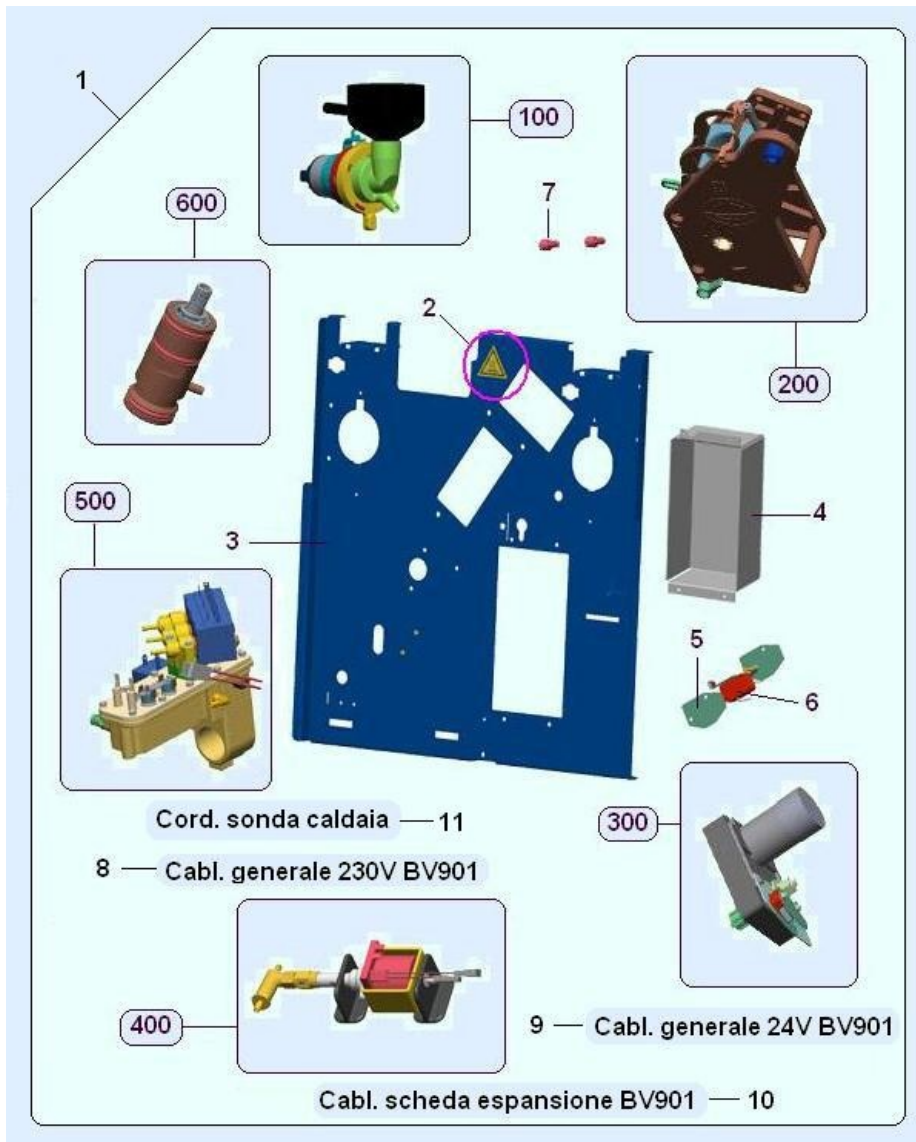
CABINET AND COMPONENTS OF COMPLETION (1056) - Item detail:

Position	Code	Options	Description
1	05261910		coinbox assembly
2	21015326		sprint lock for coin boxpump
3	05261315M09		coin box lid
5	21015336		lock for Sprint/Iris (eurolock)
6	01963511		LEIsa door lock lever
7	05261415M09		coffee grounds container
8	01901111L79		coffee grounds contain.support
9	05156515		drain nozzle reduction sprinty grate(graph.)
10	05145815M37		drain nozzle
11	21057232		feet for cabinet M8*16 LEIsa
12	22107216-01		230VNet cable C2000/Sprint/Iris
15	01942521		boiler cover BV303/901
16	01899912-01L79		ASSIEME CASSONE BV901 ESP
17	05267215M09		cover coffee beans bin LEIsa
18	01901211		back part cabinet LEIsa
19	01932111		cover for water tank
20	05097215-02M09		Service key XT Clixon black am
21	01942311		plug for cabinet backpart
100	2098		ASSEMBLY POWER SUPPLY/ASP. LEIsa E (1050)
100	2356		SCHEDA ESPANSIONE BV901 (1221)

Group charts

 **BV901ES01NA - LEI SA E3S MC PD A/R**
 **ESPRESSO ASSEMBLY**

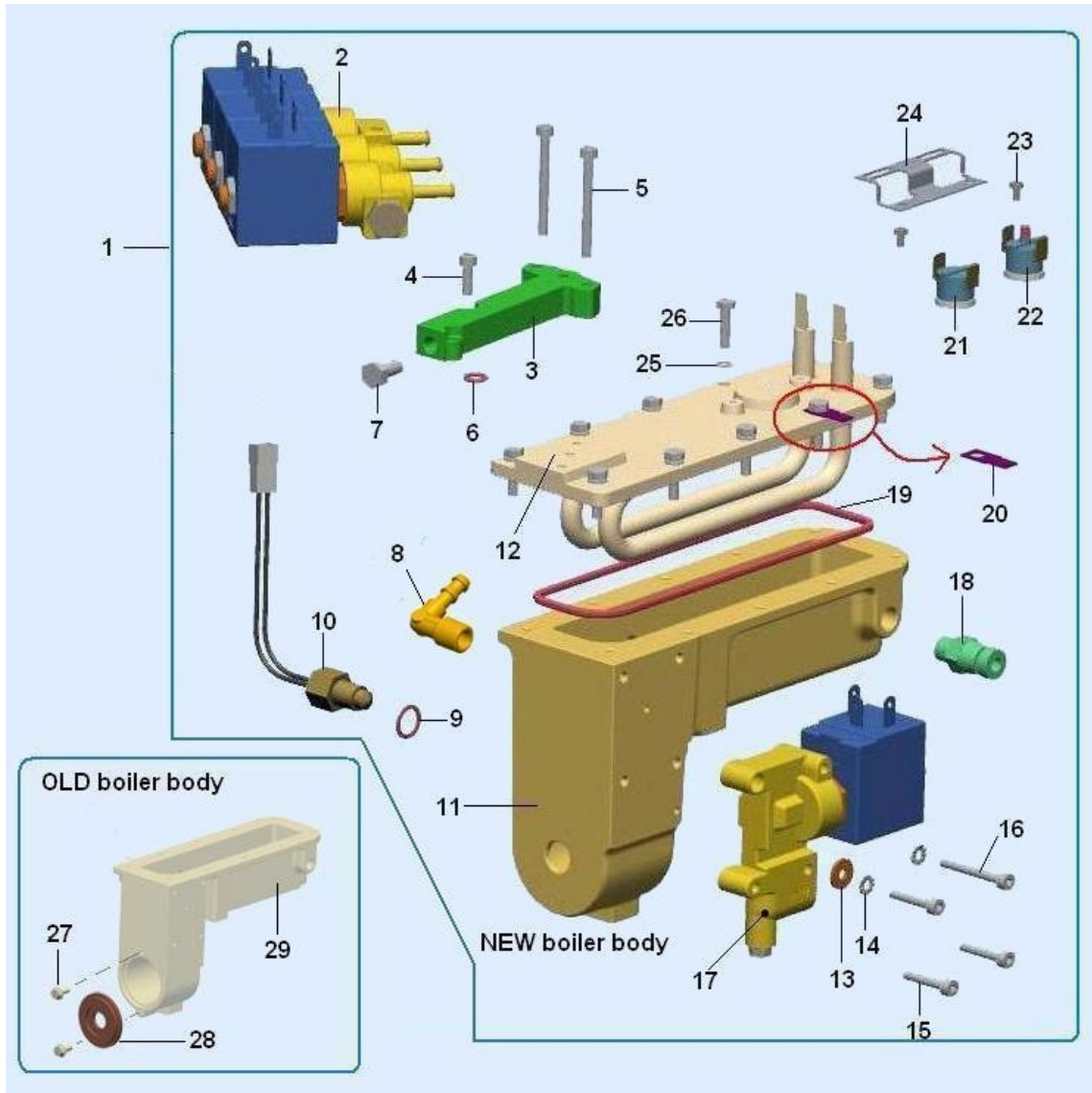
ASSEMBLY PLATE GR-CAFFE/MIXER (1057)



ASSEMBLY PLATE GR-CAFFE/MIXER (1057) - Item detail:

Position	Code	Options	Description
2	30069411-01		temperat.safety sticker
3	01901512-02L79		Aluminium mixer gr. plate assy
4	01941511		Pump protection carter
5	08004111		microswitch insulationr spring
6	26005136		microswitch with wheelm
7	19056011		group fixing pin
8	22194612		general wiring 230V Bv901
9	22194512-01		general wiring 24V BV901
10	22194412		expansion board cable BV901
11	22131712		boiler probe cableable
100	1877		ASSEMBLY MIXER BV303/901 (967)
200	202		GROUP COFFEE PLASTIC(1)
300	925		GEARMOTOR COFFEE GROUP (483)
400	2094		COLLEGAMENTO HYDRAULIC (1054)
500	2087		ASSEMBLY BOILER LEI5a (1058)
600	49		ASSEMBLY PISTON(7)

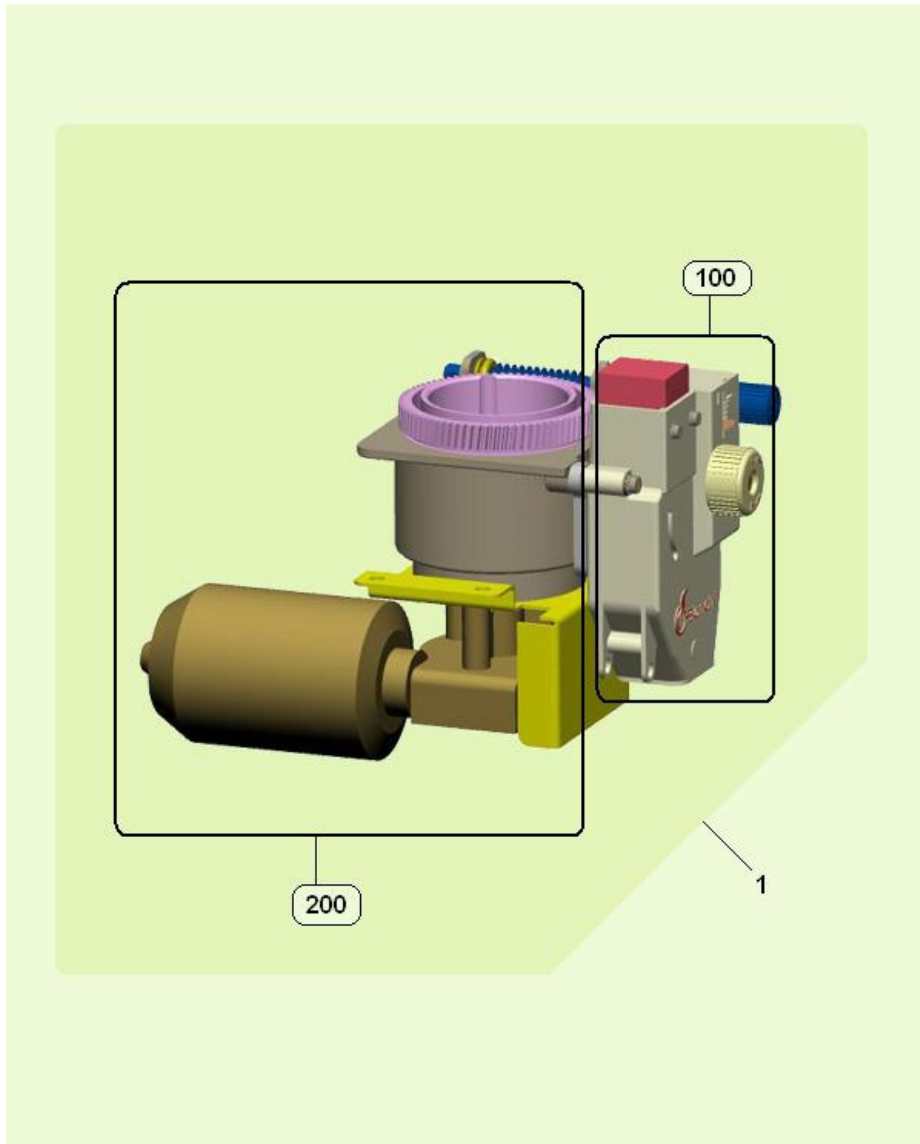
ASSEMBLY BOILER LEI^{sa} (1058)



ASSEMBLY BOILER LEIsa (1058) - Item detail:

Position	Code	Options	Description
1	85002950-01		boiler assy LEISA ES
2	25021516-01		24VDC group of 3EV 2ways d.2mm
3	19059411-01		new electrovalve block spacer
4	32065416		4x12 screw
6	36350116		O-Ring 2025ODE
7	32125336		6 MA X 12 IX screw
8	04061016		corner connection male1/8 D6.5
9	18002516		copper gasket
10	26050826-01		Temp.sens. w/connector (inox)
11	13008021-02		espresso boiler body
12	29004312-01		heating element 1500W220V inox
13	35157616		plain washer Ø.4,3 ac.ODE
14	35160316		d. 4,2 IX self locking washer
15	32067916		TCEI 4MAX20 screw
16	32068216		4MAX30 screw
17	25020856		3ways elect.valve24Vdc(0-7,5b)
18	04040316		drain valve
19	05143815		boiler gasket
20	23020626		male tab
21	25020516		automatic recharge dixon110°
22	25020616-01		manual recharge dixon (135°)
23	32025116		TC 3MAX5 screw
24	01599411-02		Thermoregulator spring
25	35153426		washer
26	32055536		TCEI 4MAX16 screw
27	32050516		screw 4 MAX10
28	18007011		piston stop washer OT58
29	13008011		espresso boiler body

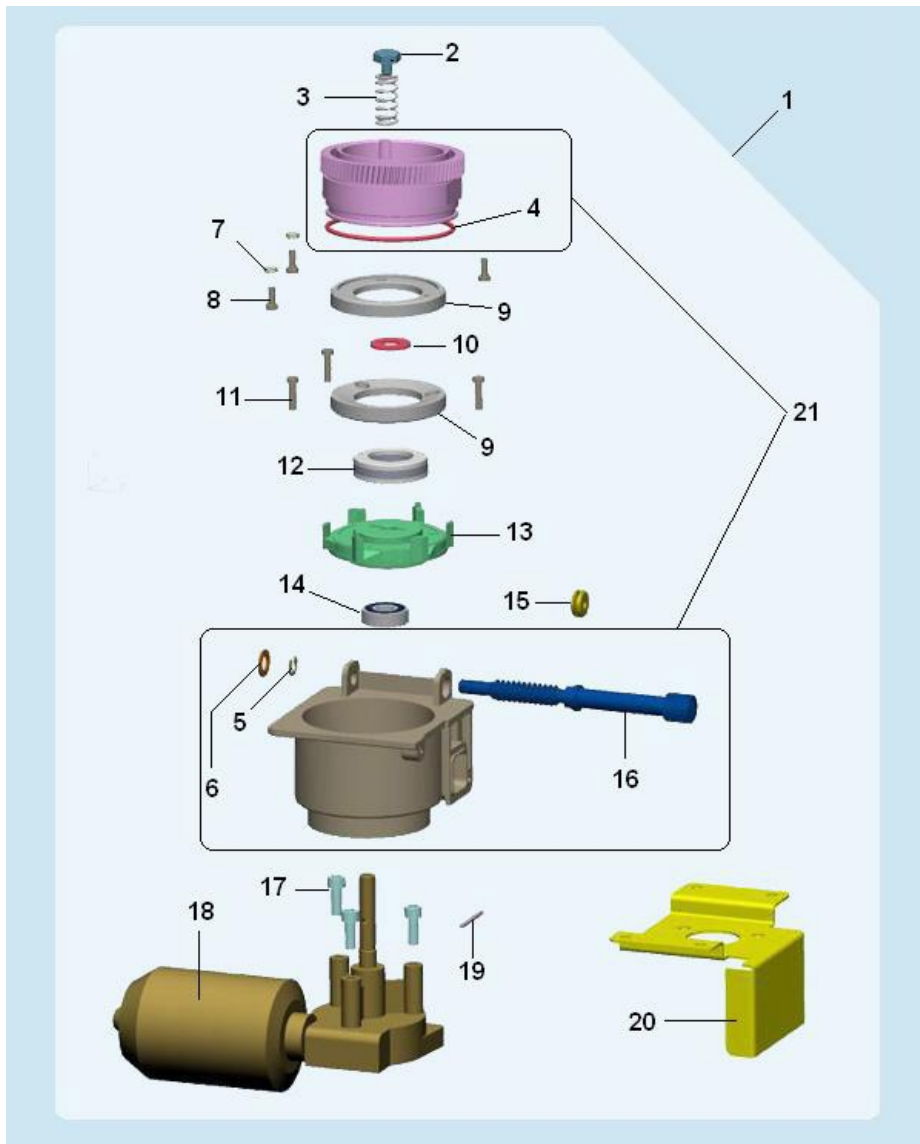
ASSEMBLY GRINDER-DOSER LEI^{sa} (1059)



ASSEMBLY GRINDER-DOSER LEI_{sa} (1059) - Item detail:

Position	Code	Options	Description
1	96044520		compl grinderdoser 24DC LEI _{sa}
100	1873		ASSEMBLY DOSER CAFFE (964)
200	2089		ASSEMBLY GRINDER LEI _{sa} (1060)

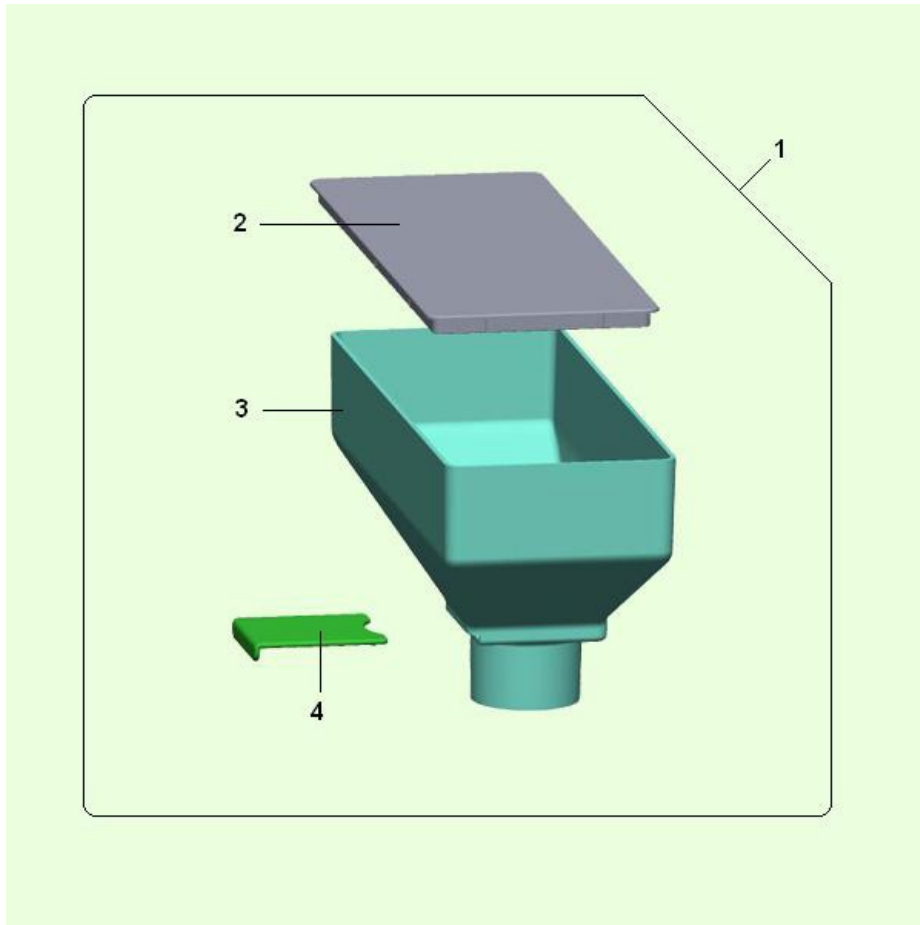
ASSEMBLY GRINDER LEI^{sa} (1060)



ASSEMBLY GRINDER LEISA (1060) - Item detail:

Position	Code	Options	Description
1	86001220		grinder MAC-64 24V LEISA
2	19059011		screw for springew
3	07020411		grinder holder spring-971
4	36211316		O-ring 3262 NBR 70 SHODE
5	37001116		Ø 6 seeger ring
6	35168826		flat washer D.8,4*15,5*1,2
7	34102836		4MA nut hexagonal
8	32060536		Cross headed screw 4MA*10 IX
9	18007316-01		D=64 grinder blade 20teethgroup
10	01586411		blade holder disk 9.25x23x1.5ion
11	32060836		Cross headed screw 4MA*16 IX
12	19059216		bearingew
13	13008211-02		mobile blade support
14	19059116		bearingew
15	23004086		cable damper(6*15 - rubber)able
16	05134715		grinder adjustment screwwn) C2000
18	20019016-01		grinder motor 24VDC
19	12017411		wire D30x30er
20	01586941		LEISA grinder support
21	43018910-01		grinder chamber assy w/knob

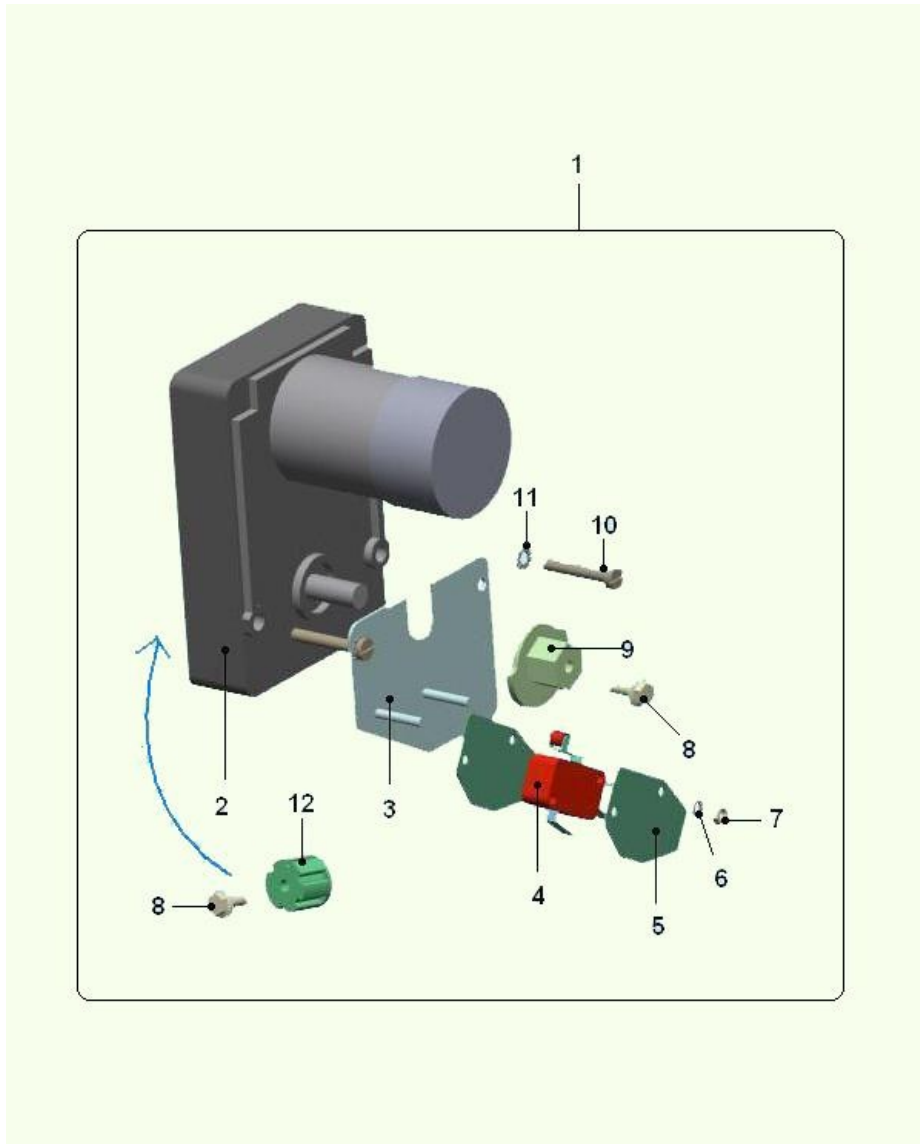
ASSEMBLY COFFEE BEAN HOPPER CAFFE (1061)



ASSEMBLY COFFEE BEAN HOPPER CAFFE (1061) - Item detail:

Position	Code	Options	Description
1	05147710		sprint beans container assy.tray grate
2	05147815		cover for beans canis Sprint.tray grate
3	05146815		sprint beans container.tray grate
4	05147915		SPRINT COFFEE HOPPER SEPARATORt.

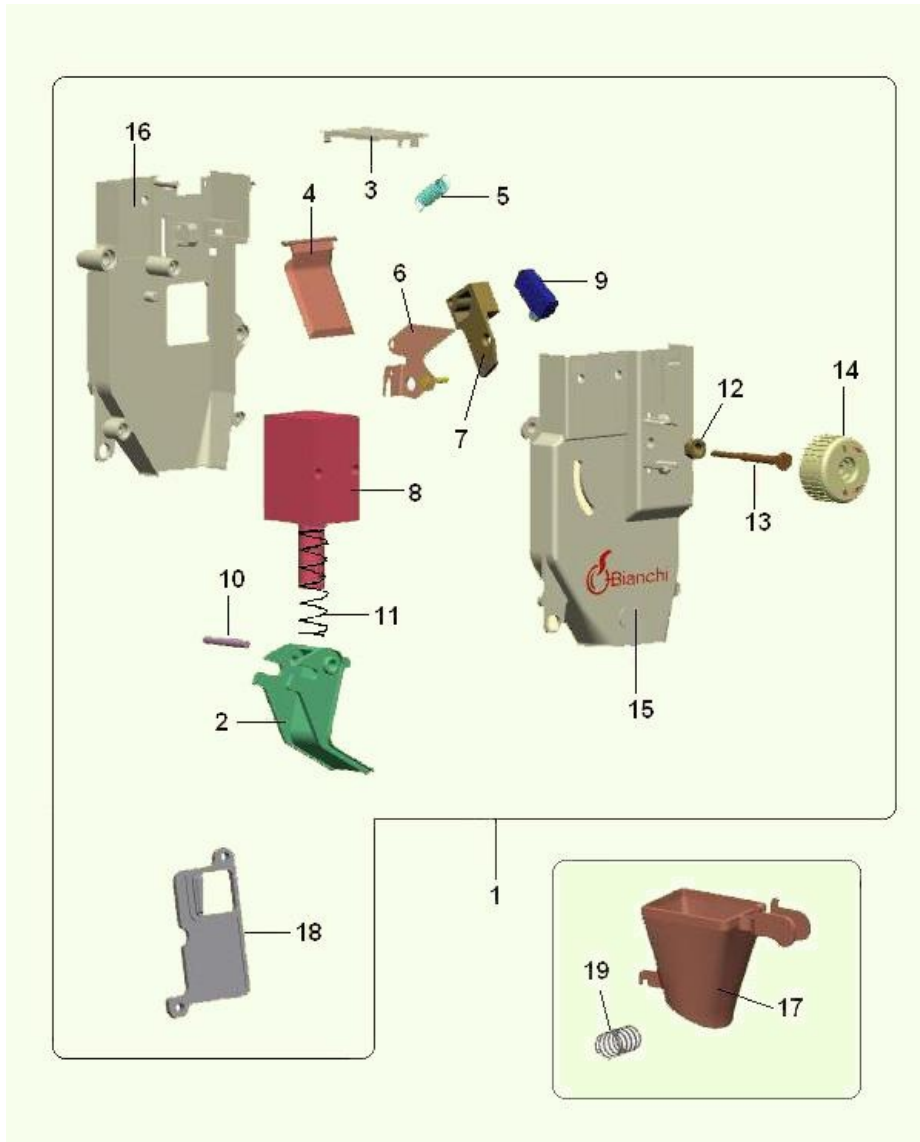
GEARMOTOR COFFEE GROUP (483)



GEARMOTOR COFFEE GROUP (483) - Item detail:

Position	Code	Options	Description
1	20016810-03		Motor assy w/24V cable coffee group
2	20014946-02		24VDC12rpm cof.group gearmotor w/out cable
3	01484212		bracket for microion plate
4	26005126		microswitch with wheel
5	08004111		microswitch insulationr spring
6	35160216		self-locking diam.3.2
7	34102716		M3 hexagonal nut
8	32050516		screw 4 MAX10
9	05110915-01M09		black rotating group cam
10	32061016		4M x 25 screw
11	35160316		d. 4,2 IX self locking washer
12	41081216		

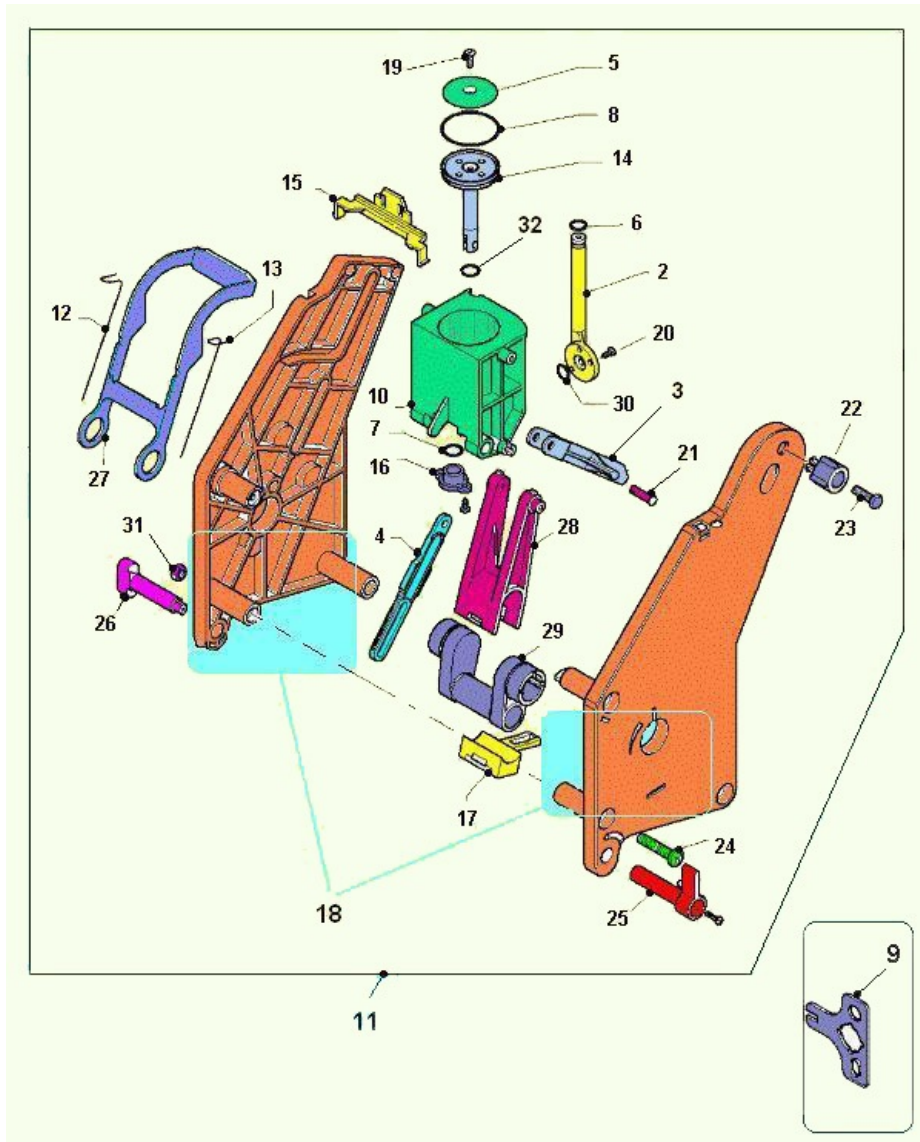
ASSEMBLY DOSER CAFFE (964)



ASSEMBLY DOSER CAFFE (964) - Item detail:

Position	Code	Options	Description
1	43002410-02		doser assy with spacer
2	05135115-01		coffee doser tray
3	05135025		top cover for doserwn) C2000
4	05135315		coffee doser mobile wallwn) C2000
5	07020611		spring-971
6	01586212-02		MICRO SUPPORT
7	05154615		micro. coffee-dos. supporty grate(graph.)
8	20019146-01		magnet 5% 24v dcb.shaft
9	26029616		microswitch with cable(proof)7
10	33051716		4x25 IX parallel pin
11	07020511-01		magnet spring-971
12	34115316		M4 nut with washerODE
13	19058911		adjusting screw for microew
14	05135215		dose adjustment knobwn) C2000
15	05134815		Doser front coverwn) C2000
16	05134925		Doser rear coverwn) C2000
17	05135415		plastic coffee doser slidewn) C2000
18	05155615-01		spacer
19	07020911		coffee funnel spring-971

GROUP COFFEE PLASTIC(1)



GROUP COFFEE PLASTIC(1) - Item detail:

Position	Code	Options	Description
2	05106815-01		tube for cupt.
3	05148315		rod liftert.
4	05107415		drive rodt.
5	16012021		coffee group filterer
6	36351316		o-ring for cooffe group pipeODE
7	36211916		OR 2037 gasketODE
8	36363116		Joint 2118 SH70 VITON
9	01475411-01		Coffee group rotation key
10	05106615-01		cupt.
11	95007420-02		plastic coffee group assy
12	07017911		right spatula spring-971
13	07017921		left spatula spring-971
14	05161215		waste coffee eject rod1
15	05133515		spacer for group sidespipe
16	05106715		bush cupt.
17	05107215		brackett.
18	43123910-01		front/rear shoulder assembly
19	32035236		TSP 3MAx16 IX screw
20	32222827		Blunt self-threaded screw 2,9x9,5
21	05107515		rivett.
22	05109515		Knobrame
23	32090636		TE 5MAx18 screwank
24	32060936		TC 4MAx20 screw
25	05107815		locking levert.
26	05107915		locking rodt.
27	05107015		spatulat.
28	05107115		connecting rodt.
29	05107615		crankt.
30	36210916		OR2021 gasketODE
31	34110316		Self-locking nut 5MA7
32	36212716		Joint 3037 SH70 VITON

ASSEMBLY PISTON(7)



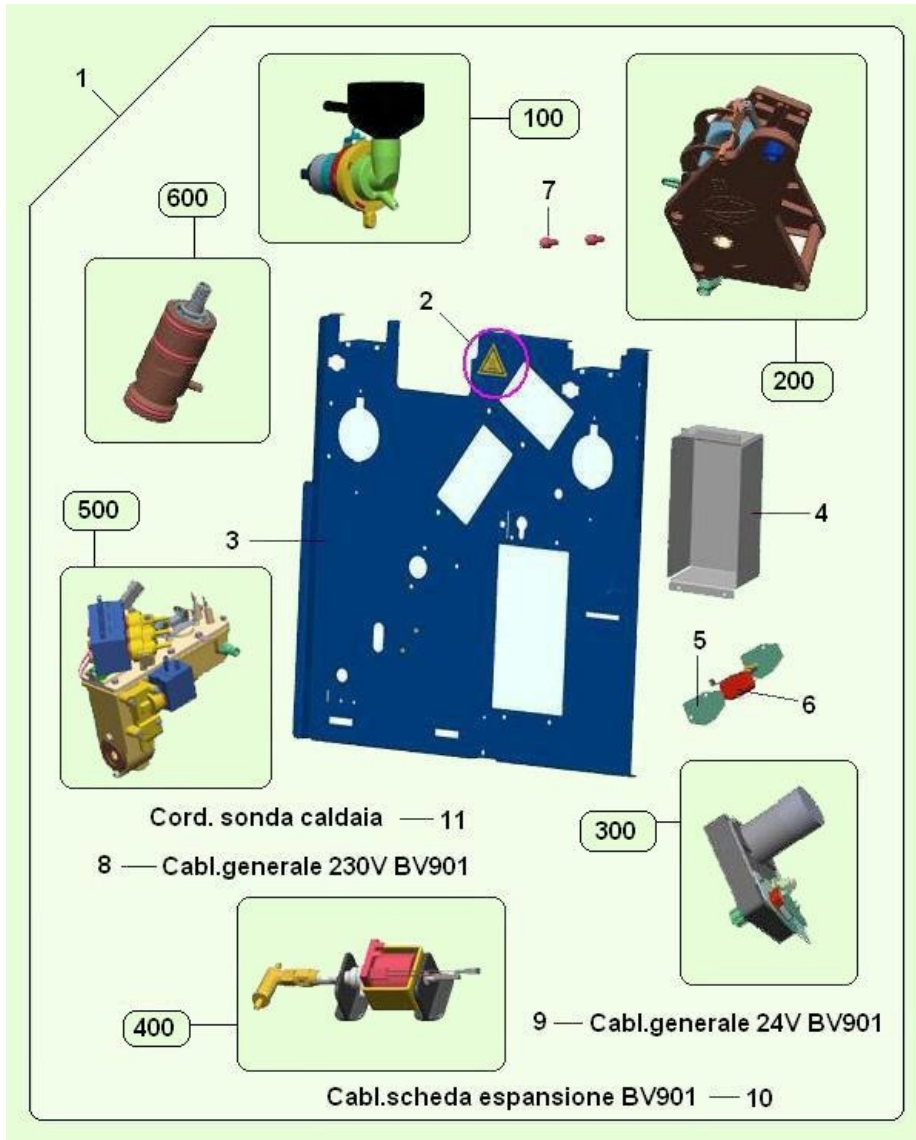
ASSEMBLY PISTON(7) - Item detail:

Position	Code	Options	Description
1	05138130-01		Cegasa coffee-gr. piston assy
2	05107725		piston filter knobt.
3	07017611-01		piston spring
4	36210916		OR2021 gasketODE
5	05148032-01		Piston with valve seat
6	36211816		OR4112 gasketODE
7	36212116		OR2010 gasketODE
8	16014812		filter assyer
9	09087873-02		3x6 brown silicone pipe
10	07017511		piston block rod-971

Group charts



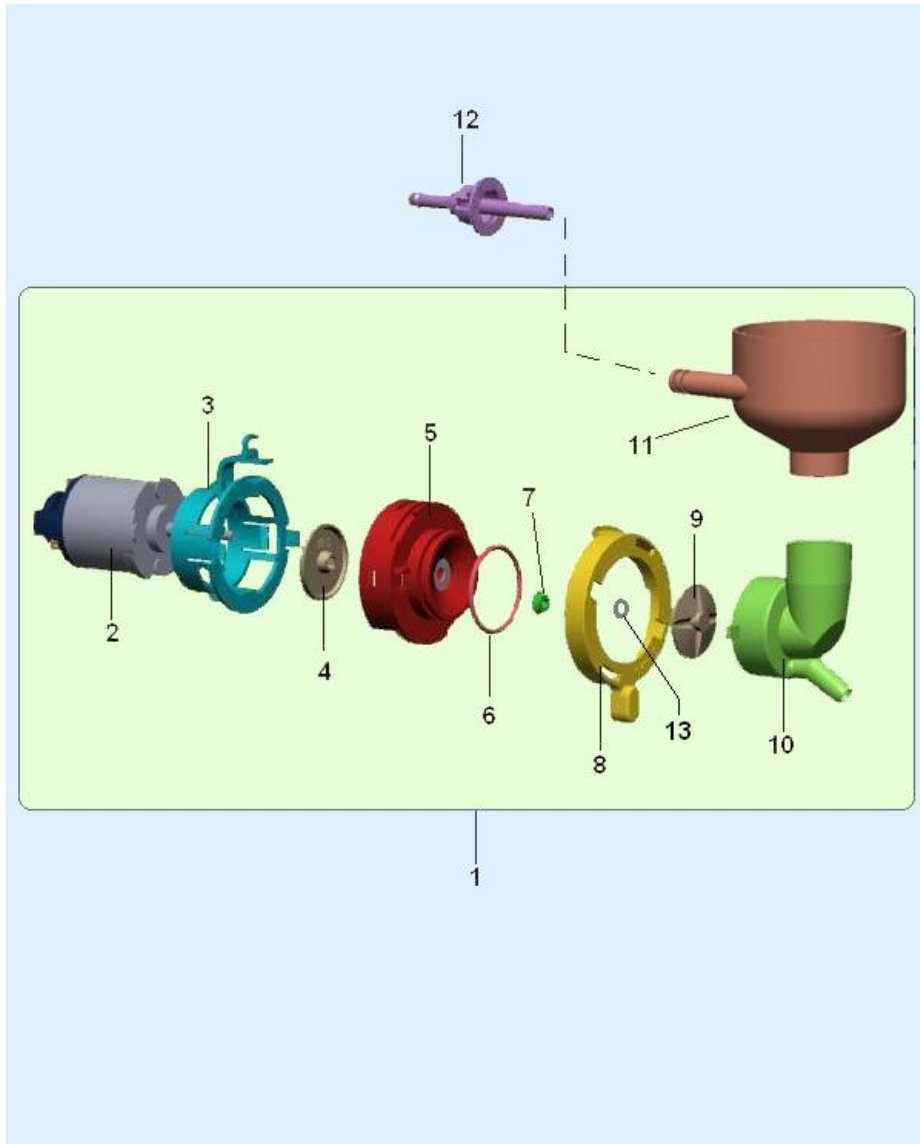
ASSEMBLY GR-COFFEE BV 901 230V (1269)



ASSEMBLY GR-COFFEE BV 901 230V (1269) - Item detail:

Position	Code	Options	Description
1	95012320M37		BV901 230V coffee group assy
2	30069411-01		temperat.safety sticker
3	01901512-02L79		Aluminium mixer gr. plate assy
4	01941511		Pump protection carter
5	08004111		microswitch insulationr spring
6	26005136		microswitch with wheelm
7	19056011		group fixing pin
8	22194612		general wiring 230V Bv901
9	22194512-01		general wiring 24V BV901
10	22194412		expansion board cable BV901
11	22131712		boiler probe cableable
100	2461		ASSEMBLY MIXER BV 303/901 (1270)
200	202		GROUP COFFEE PLASTIC(1)
300	925		GEARMOTOR COFFEE GROUP (483)
400	2462		HYDRAULIC CONNECTIONS (1271)
500	1806		BOILER COMPONENTS (922)
600	49		ASSEMBLY PISTON(7)

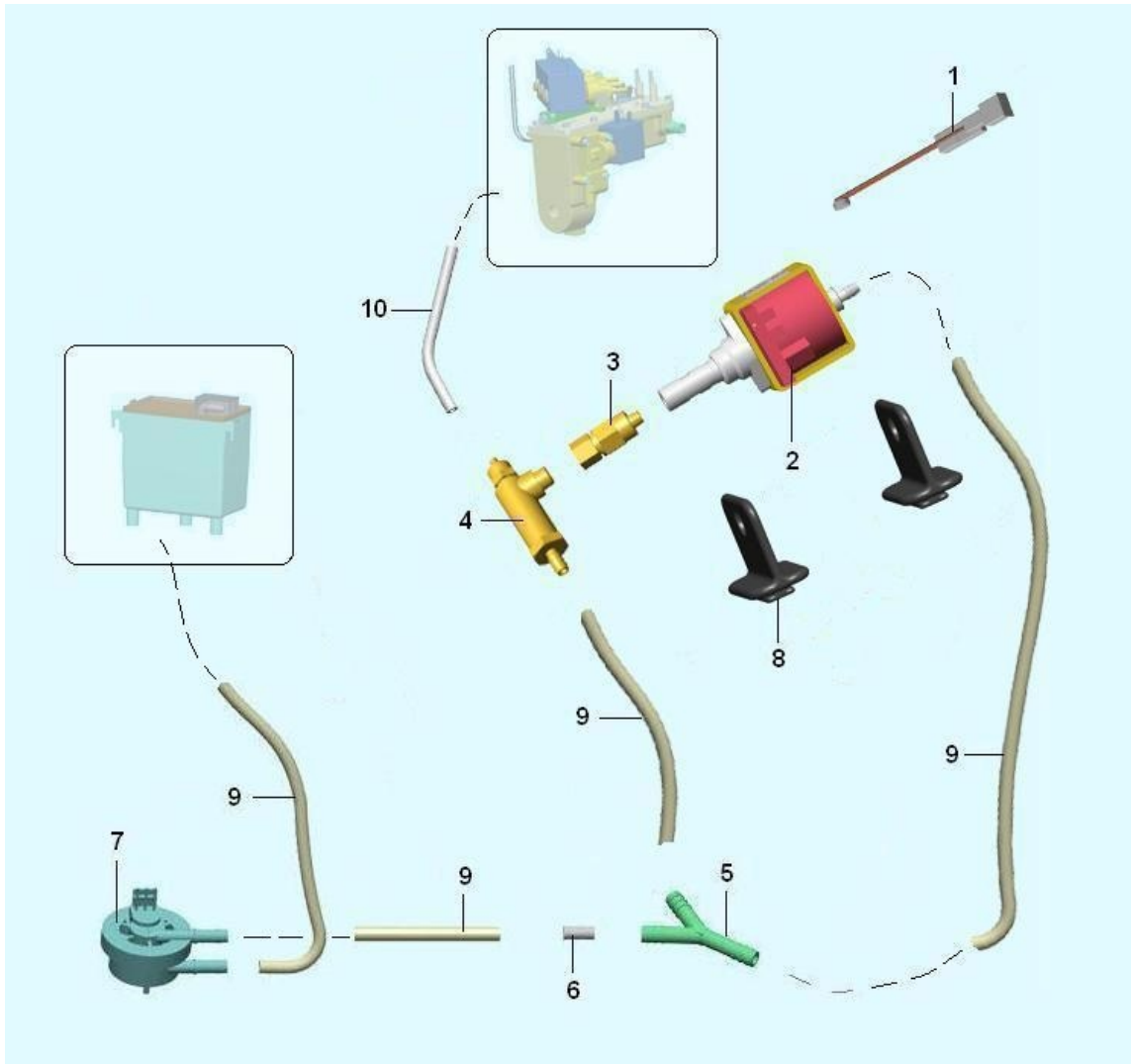
ASSEMBLY MIXER BV 303/901 (1270)



ASSEMBLY MIXER BV 303/901 (1270) - Item detail:

Position	Code	Options	Description
1	96067740M37		mixer assy w/o collar BV303
3	05241115-01M37		Motor support flange
4	05154015		mixer protection disk grate(graph.)
5	05243112		Mixing room flange support as.
6	36210716		OR 3131 gasketODE
7	36351215		green V-seal gasketODE
8	05240915M37		Mixing room blocking flange
9	05111825		mixer impellert.frame silver
10	05111625		brown mixing chambert.frame silver
11	05113765M37		mixing bowl w/hole 5,7 brown
12	05261115M37		bowl injector brown
13	35155236		level ground washer Ø 4.3 IX

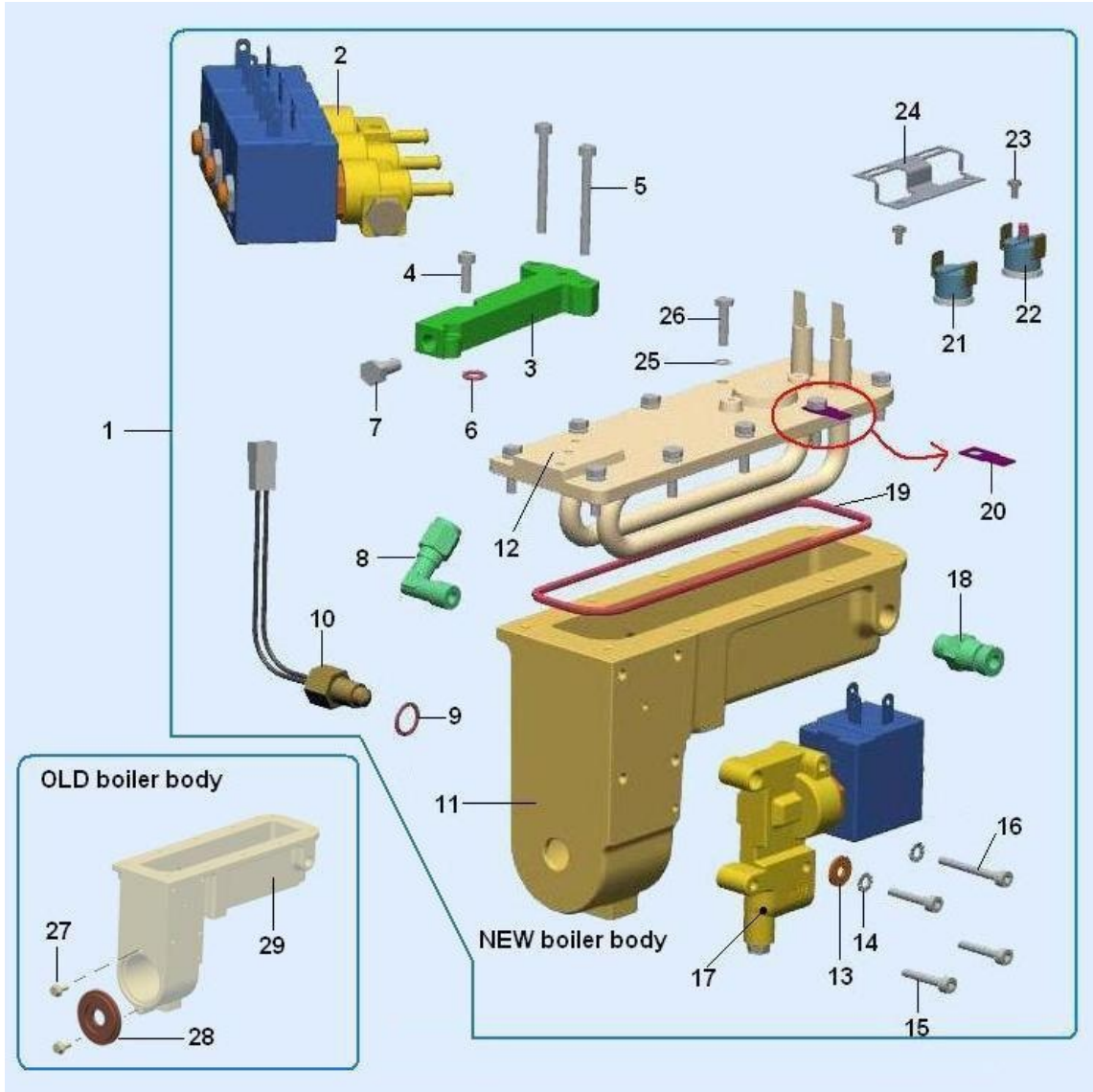
HYDRAULIC CONNECTIONS (1271)



HYDRAULIC CONNECTIONS (1271) - Item detail:

Position	Code	Options	Description
1	25022616-01		Clixon Microtherm F11 100°
2	27003316		EX5 230V-50Hz Ulka electropumpy-pass
3	04041016		anti return valve male/female4 DM7,5
4	04040916-01		11BAR PRO SAFETY VALVE
5	05240015M00		3ways connector 9mm ext.
6	05102225		brown mixing chambersy
7	24012116		flow sensorer
8	05259515M09		Pump support (ULKA/FLUIDOTECH)
9	09029763-01		5x9 transparent silicone pipe
10	09085423		4x6 teflon pipe581

BOILER COMPONENTS (922)



BOILER COMPONENTS (922) - Item detail:

Position	Code	Options	Description
1	85003110-02		boiler assembly 3 el-valv
2	25021516-01		24VDC group of 3EV 2ways d.2mm
3	19059411-01		new electrovalve block spacer
4	32065416		4x12 screw
6	36350116		O-Ring 2025ODE
7	32125336		6 MA X 12 IX screw
8	04035326		elbow connection
9	18002516		copper gasket
10	26050826-01		Temp.sens. w/connector (inox)
11	13008021-02		espresso boiler body
12	29004312-01		heating element 1500W220V inox
13	35157616		plain washer Ø.4,3 ac.ODE
14	35160316		d. 4,2 IX self locking washer
15	32067916		TCEI 4MAX20 screw
16	32068216		4MAX30 screw
17	25020856		3ways elect.valve24Vdc(0-7,5b)
18	04040316		drain valve
19	05143815		boiler gasket
20	23020626		male tab
21	25020516		automatic recharge dixon110°
22	25020616-01		manual recharge dixon (135°)
23	32025116		TC 3MAX5 screw
24	01599411-02		Thermoregulator spring
25	35153426		washer
26	32055536		TCEI 4MAX16 screw
27	32050516		screw 4 MAX10
28	18007011		piston stop washer OT58
29	13008011		espresso boiler body

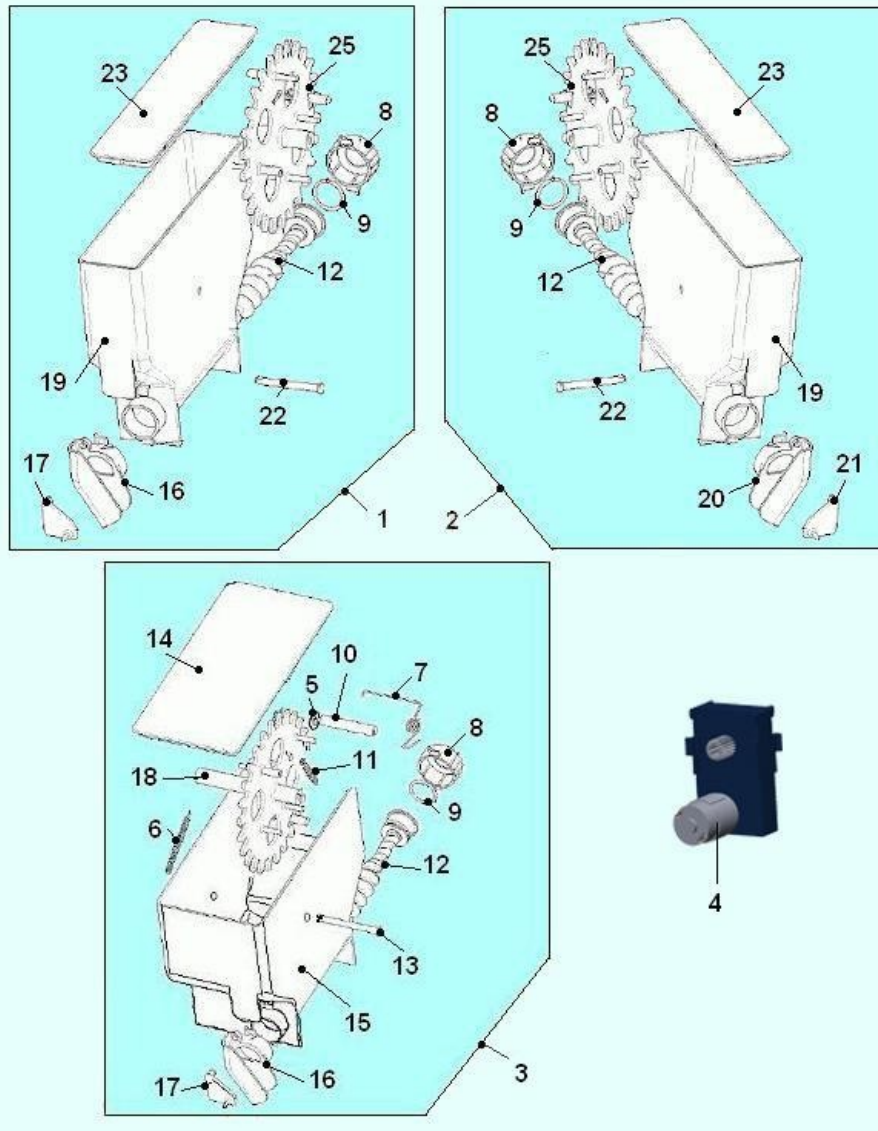
Group charts

 **BV901ES01NA - LEI SA E3S MC PD A/R**
 **INSTANT ASSEMBLY**

PARTS OF COMPLETION (1051) - Item detail:

Position	Code	Options	Description
1	05261015M37		aspiration box
2	05260915M37		aspiration box chamber
3	05248115M37		Suction pipe joint
4	09031113		28x33 Leviflex pipe581
5	05145925		sprint brown mixing bowcollar
7	09087823M57		5x9 silicon pipe black am
9	05248915M00		BV931 pipe nozzle bush
10	05099715-01		white L=48 nozzlesy
11	05246315M37		Brown nozzle supply D. 6 AM
12	05246215M37		BV931 nozzles supply support
13	01901611		dispenser nozzle support arm
14	05260815M18		level sensor plug
15	05260715M18		sensor floater
16	05261515L79		foot for doorframe/drops tray
17	05260515-02M09		drops tray
19	05261810		drops collector tray assy
20	07017711		tea serpent. spring-971
22	09087843M57		7x11 black AM silicone pipe
100	2098		ASSEMBLY POWER SUPPLY/ASP. LEIsa E (1050)
200	1877		ASSEMBLY MIXER BV303/901 (967)

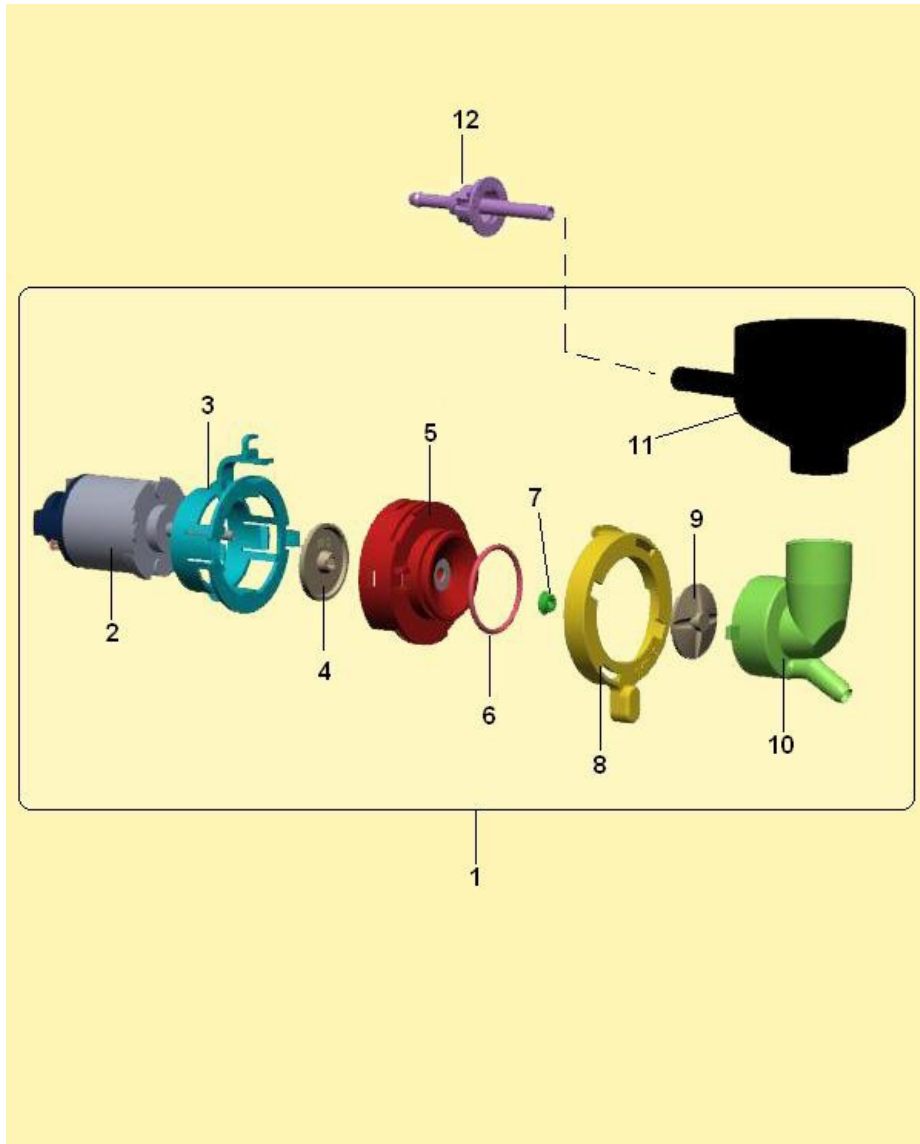
GEARMOTOR AND CANISTER DOSER (1031)



GEARMOTOR AND CANISTER DOSER (1031) - Item detail:

Position	Code	Options	Description
1	96049210-01		rh single canister assy 1 wheel sprint
2	96049310-01		lft sing canister assy w/wheel sprint
3	96049010-01		rh double canister assy sprintsy
4	20020316		24V DC motor quick connect.d shaft
5	35155526		plane washerODE
6	07020211-01		canister agitator spring-971
7	07021411		canister(double wheel) agitator spring
8	05142815		lock for disp.canist.auger sprint
9	36212616-01		o-ring 3093 23 47X2 62ODE
10	05147415		Double canister spacertray grate
12	05143415		extracting auger for canisterint
13	05143725		pin for double prod.canister Sprint
14	05142615		right double canister cover sprint
15	05142415		right double canister sprintump
16	05142915-01		right slide
17	05143015		right slide capint
18	05142725-01		Cog-wheel for double dispenser canister
19	05142315		Left canister sprintump
20	05142925-01		left slide
21	05143025		left slide capint
22	05143715		pin for product canister Sprint
23	05142515		Left canister cover sprintump
25	05142715-01		wheel for single prod.canister

ASSEMBLY MIXER BV303/901 (967)



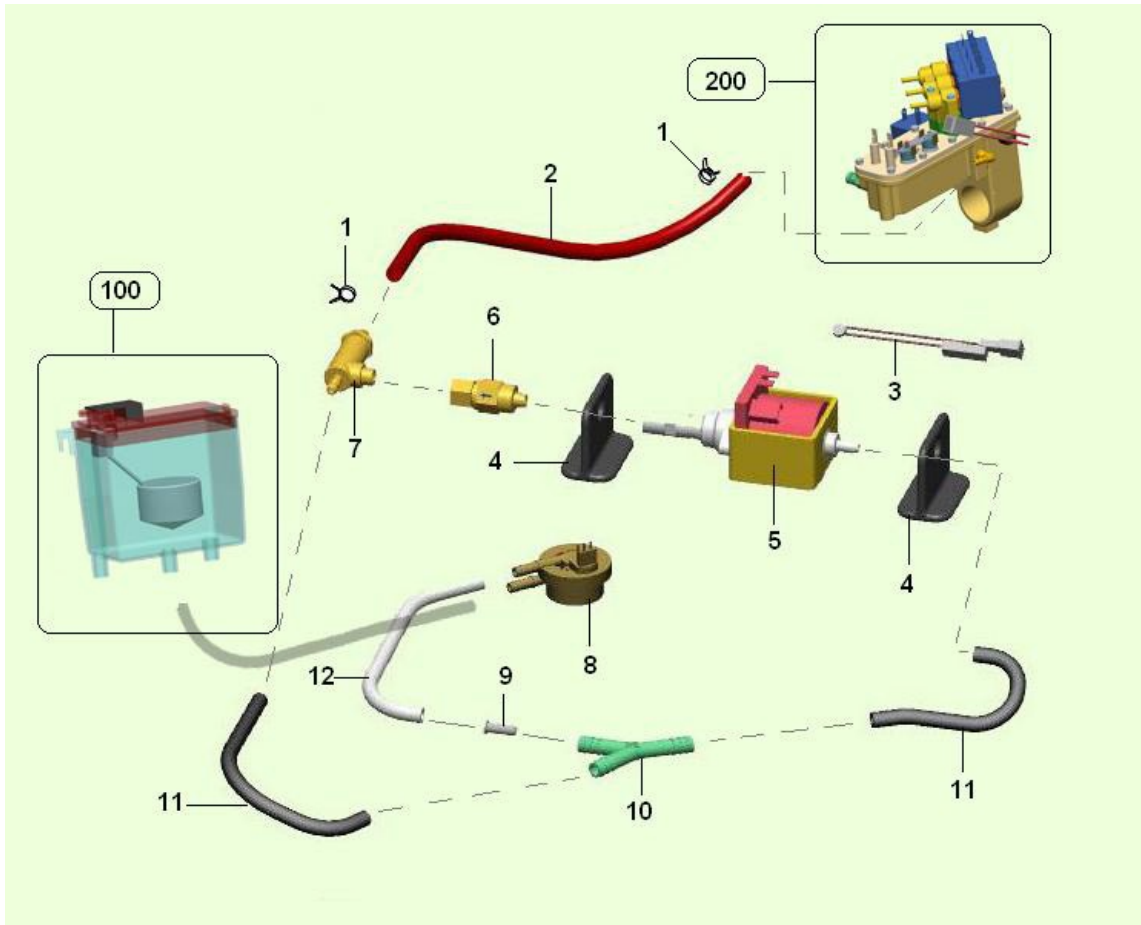
ASSEMBLY MIXER BV303/901 (967) - Item detail:

Position	Code	Options	Description
1	96067740M37		mixer assy w/o collar BV303
3	05241115-01M37		Motor support flange
4	05154015		mixer protection disk grate(graph.)
5	05243112		Mixing room flange support as.
6	36210716		OR 3131 gasketODE
7	36351215		green V-seal gasketODE
8	05240915M37		Mixing room blocking flange
9	05111825		mixer impellert.frame silver
10	05111625		brown mixing chambert.frame silver
11	05113765M37		mixing bowl w/hole 5,7 brown
11	05113765M57		mixing bowl w/hole 5,7black am
12	05261115M37		bowl injector brown

Group charts

 **BV901ES01NA - LEI SA E3S MC PD A/R**
 **HYDRAULIC COMPONENTS**

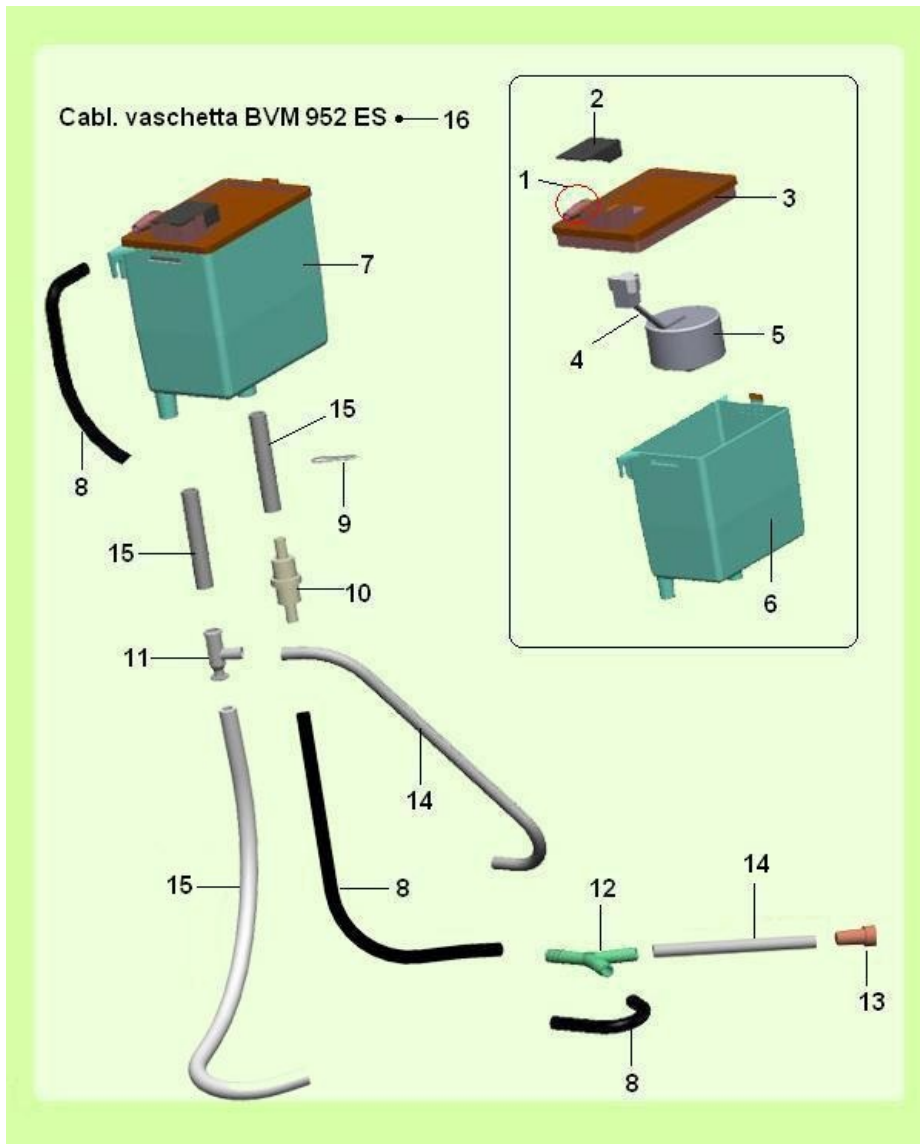
COLLEGAMENTO HYDRAULIC (1054)



COLLEGAMENTO HYDRAULIC (1054) - Item detail:

Position	Code	Options	Description
1	21065716		bifilar ring D. 8,6
2	09105713		Boiler braided tubing
3	25022616-01		Clixon Microtherm F11 100°
4	05259515M09		Pump support (ULKA/FLUIDOTECH)
5	27003316		EX5 230V-50Hz Ulka electropumpy-pass
6	04041016		anti return valve male/female4 DM7,5
7	04040936		safety valve11 bar w/hose
8	24012116		flow sensorer
9	05102215M57		mixer camber reductor black
10	05240015M00		3ways connector 9mm ext.
11	09087823M57		5x9 silicon pipe black am
12	09029763-01		5x9 transparent silicone pipe
100	2095		WATER CONTAINER WATER AND CONNECTIONS (1055)
200	2087		ASSEMBLY BOILER LEIsa (1058)

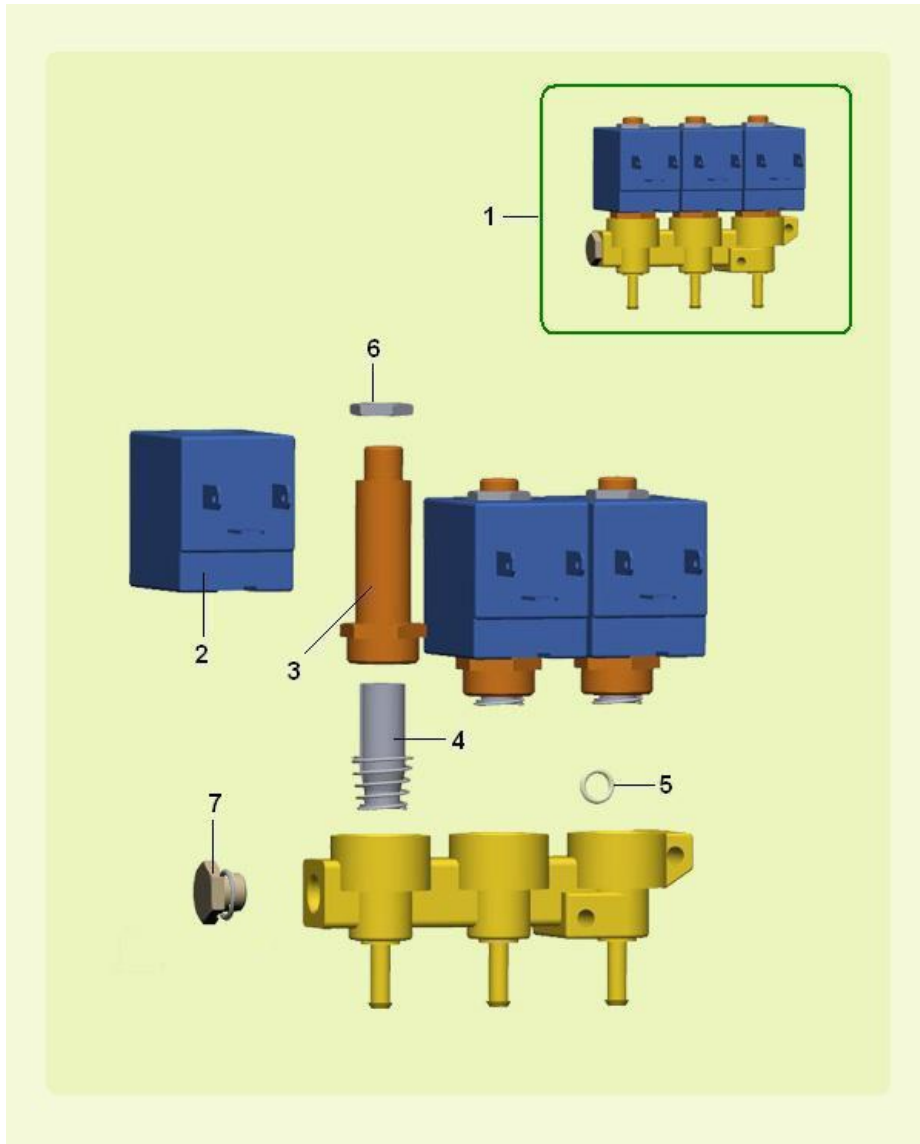
WATER CONTAINER WATER AND CONNECTIONS (1055)



WATER CONTAINER WATER AND CONNECTIONS (1055) - Item detail:

Position	Code	Options	Description
1	43132016		black ixef junction
2	43131716		microswitch for water tank
3	43131916		water tank cover - black
4	43131516		white cam for w.tank 93012040
5	43131616		floater 50cc for 93012040
6	43001116		tank for 93012010 airbreakr-break
7	93012040		water tank - 1mic. 303-901
8	09087823M57		5x9 silicon pipe black am
9	07010711		clapper-971
10	16014316		water filterer
11	05147615		T connection for pls boiler.tray grate
12	05240015M00		3ways connector 9mm ext.
13	05036515		drain tube plugipe 8
14	09029763-01		5x9 transparent silicone pipe
15	09029753-01		8x12 silicone transp.pipe
16	22183612		BVM952 ES. tray cable

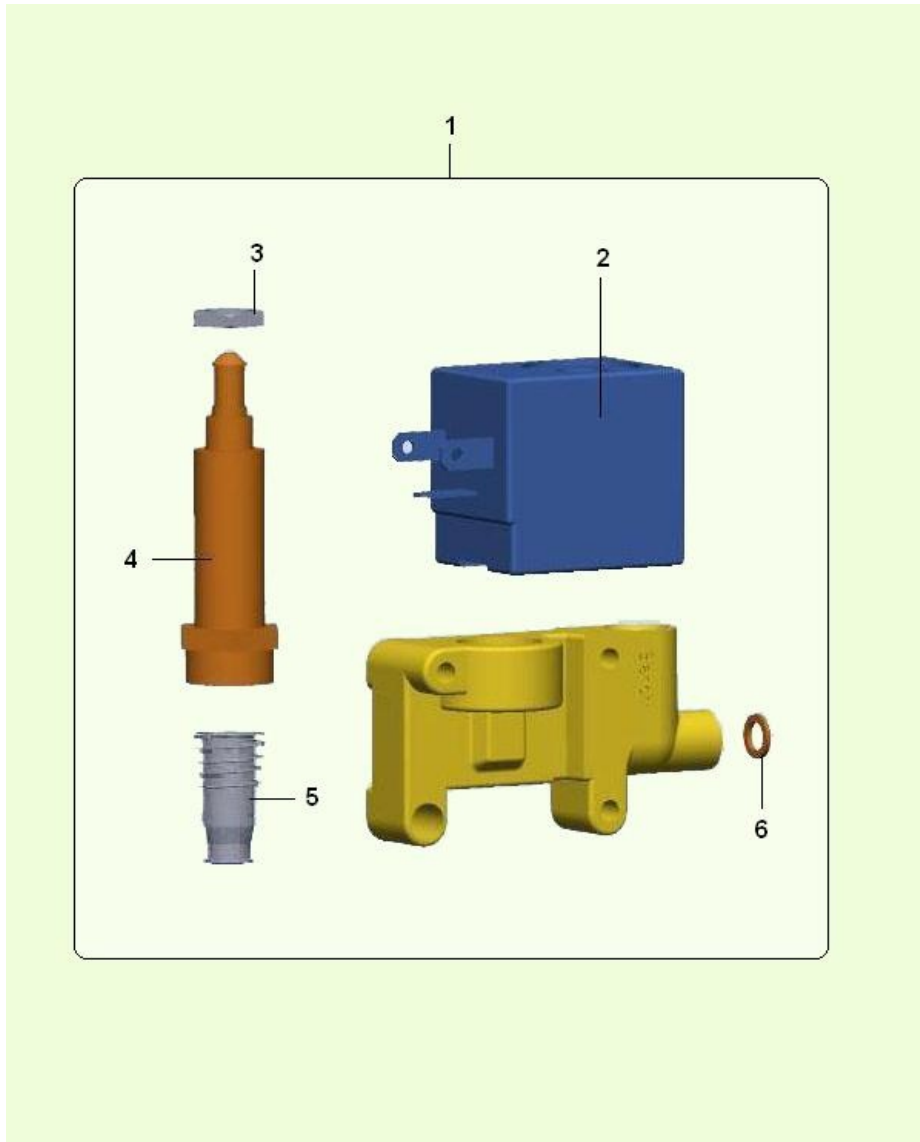
GR 3 ELETTROV. 24V DC 2 VIE (116)



GR 3 ELETTROV. 24V DC 2 VIE (116) - Item detail:

Position	Code	Options	Description
1	25021516-01		24VDC group of 3EV 2ways d.2mm
2	25019416B		electrovalve coil 25019416
3	41037316		OLAB armature tube 2WODE
4	41037216		OLAB plunger 2WODE
5	43001316		9,63x6,07 o-ring vitonr-break
6	43050616		Coil locking nut
7	43031516		Threaded cap 1/8NICH.6084/2N

COMPONENTS EL-VALV. 3 VIE OLAB (930)



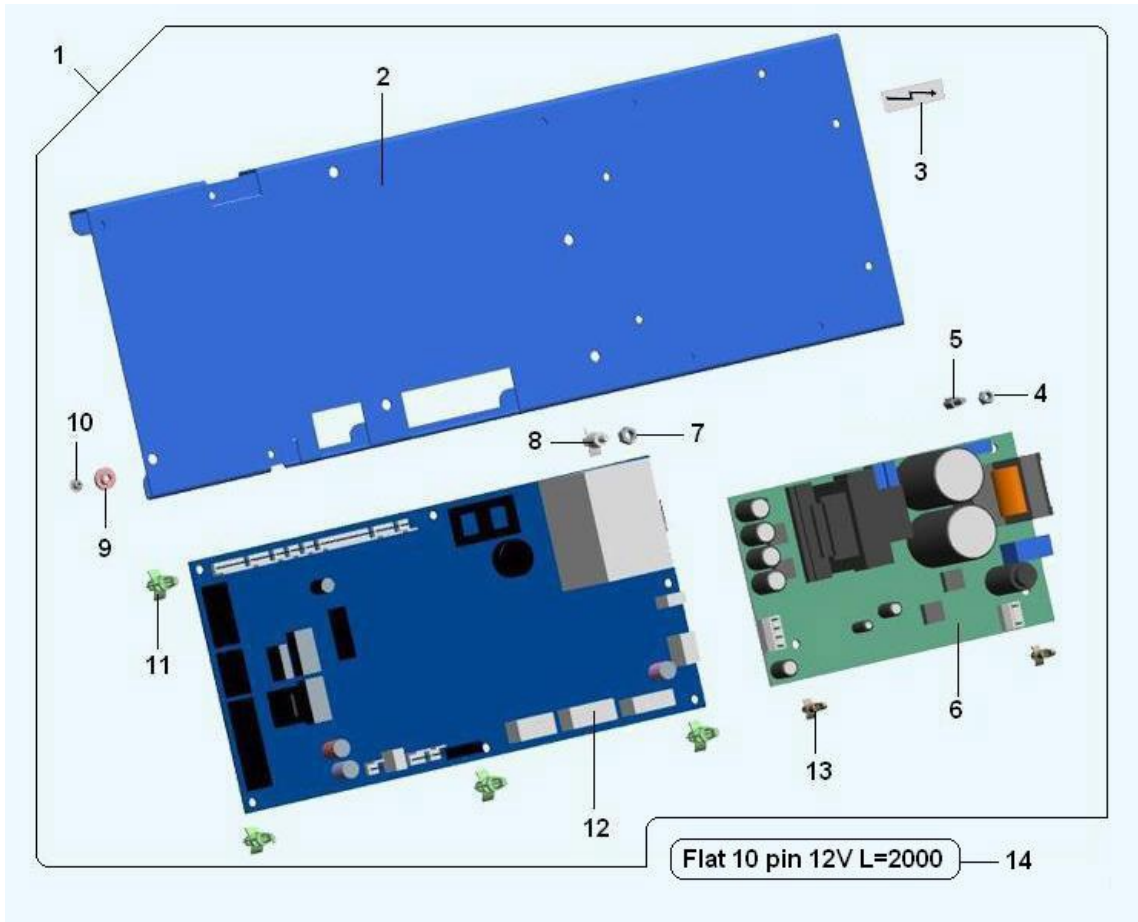
COMPONENTS EL-VALV. 3 VIE OLAB (930) - Item detail:

Position	Code	Options	Description
1	25020856		3ways elect.valve24Vdc(0-7,5b)
2	41037116		OLAB coil 3W 24VDCODE
3	43050616		Coil locking nut
4	41037516		OLAB armature tube 3WODE
5	41037416		OLAB plunger 3WODE
6	43001316		9,63x6,07 o-ring vitonr-break

Group charts

 **BV901ES01NA - LEI SA E3S MC PD A/R**
 **ELECTRICS & ELECTRONICS**

ASSEMBLY SCHEDE ELETTRONICHE (1049)



ASSEMBLY SCHEDE ELETTRONICHE (1049) - Item detail:

Position	Code	Options	Description
1	94034220		master-switch boards assembly
2	01916511		Master-switch board support
3	30053411		iris voltage safety stiker110v
4	34110116		3MA self-locking nut
5	33071926		Metal spacer M/F/ M3L.
6	26048356-01		switch powersupply24V120W/360W
7	33065726		4M nut for board spacerODE
8	33065526		L=10 card spacerODE
9	19054411		rivet bushgroup
10	33050126		3.2x8 rivetODE
11	05195216		board spacer6
12	26056116-01		board BV303- 901
13	33072046		PLASTIC SPACER M/F M3 L.7,9
14	22198812		10pin 12w L=2000 flat cable

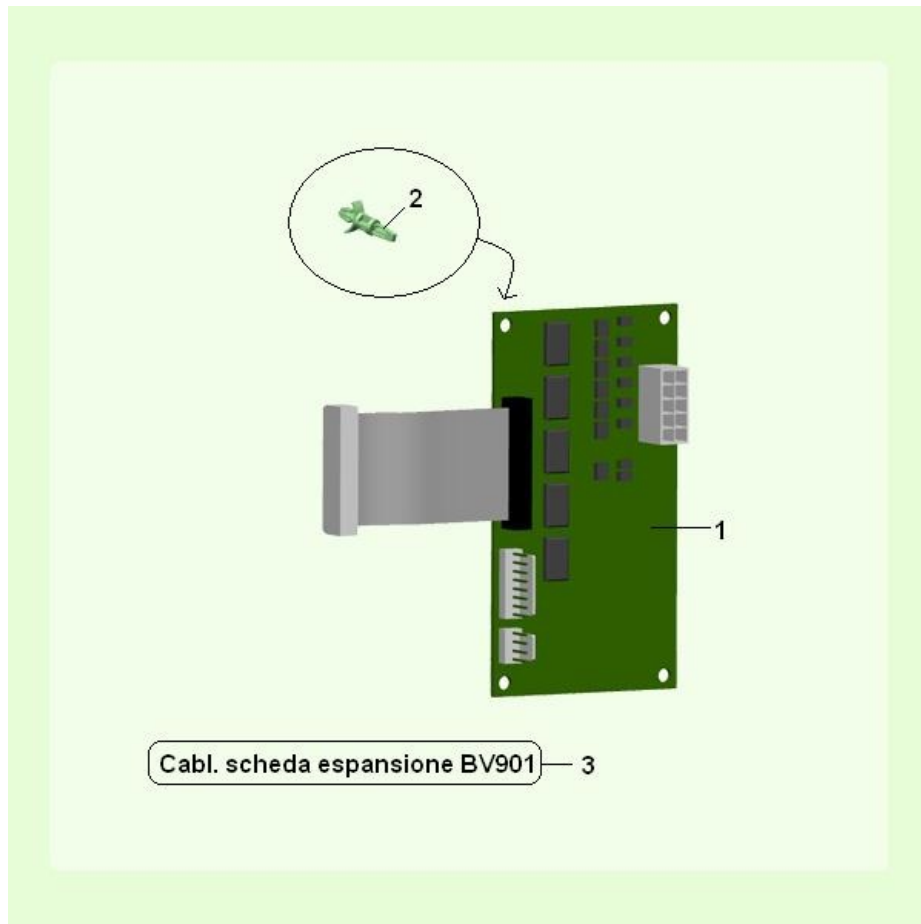
ASSEMBLY POWER SUPPLY/ASP. LEIsa E (1050)



ASSEMBLY POWER SUPPLY/ASP. LEIsa E (1050) - Item detail:

Position	Code	Options	Description
1	01930120		LEIsa E asp.&power supply assy
2	01930011-01		Switch and aspirator support
3	01916911-01		Aspirator support
4	01919311-01P74		stirrup for fan bearing
5	20035516		24VDC 0,5A aspirator
6	05071915		aspiration pipe connectionipe 8
7	33050116		alum. rivet D. 3,2*5
8	32222976		self-tapping screw 4,8*12
9	05248115M37		Suction pipe joint
10	05265311		protection plate for filter
11	32010316		scew 3*12 TCB 2F UNI9707
12	25021116		elecrovalve anti overflow 24VDC(1200cc)
13	23039416		switch socket + fuse holder

SCHEDA ESPANSIONE BV901 (1221)



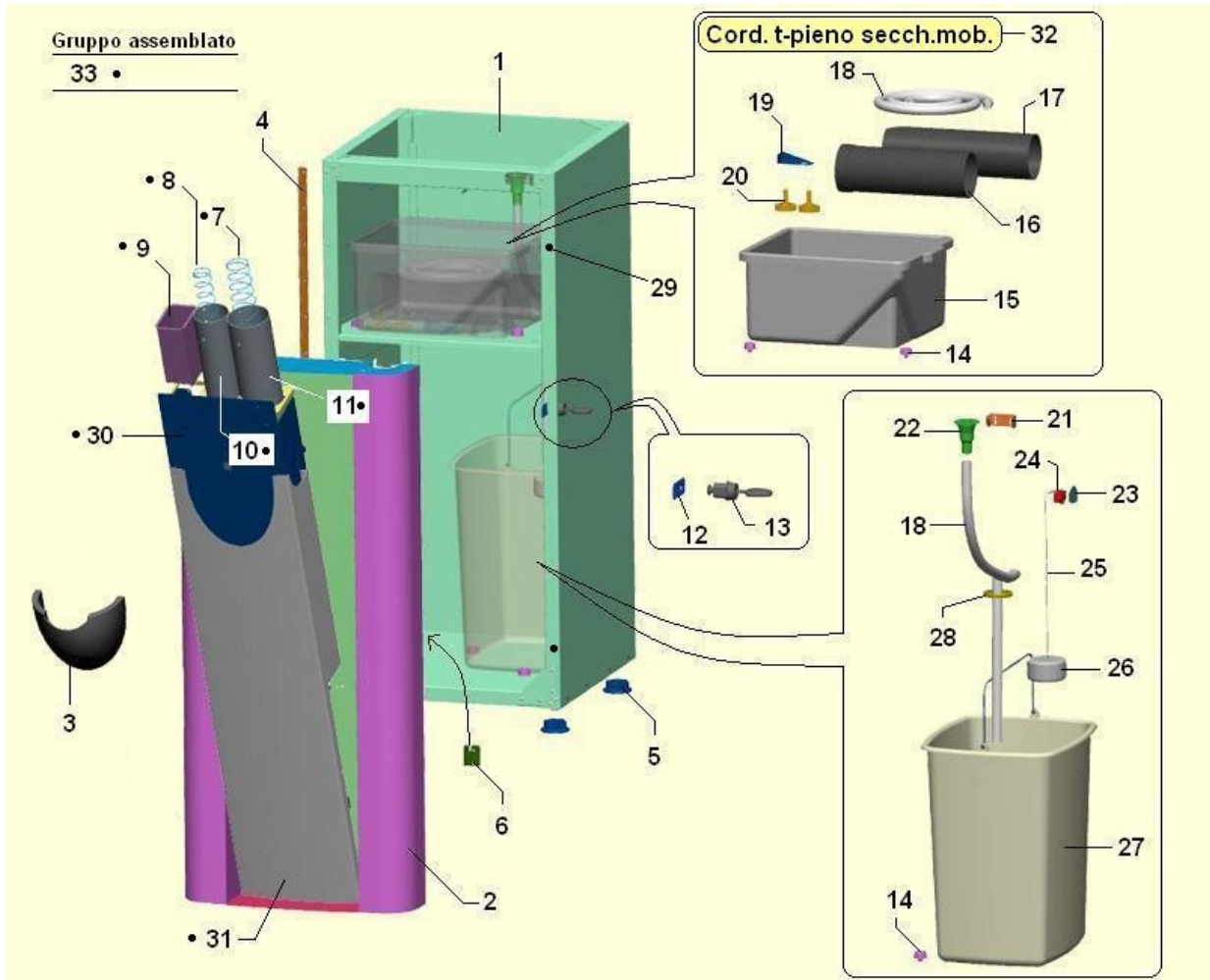
SCHEDA ESPANSIONE BV901 (1221) - Item detail:

Position	Code	Options	Description
1	26056216		EXPANSION MASTER BOARD BV901
2	05195216		board spacer6
3	22194412		expansion board cable BV901

Group charts

 **BV901ES01NA - LEI SA E3S MC PD A/R**
 **BASE CABINET**

BASE CABINET AND COMPONENTS (1107)



BASE CABINET AND COMPONENTS (1107) - Item detail:

Position	Code	Options	Description
1	01959612L79		cabinet base ZO58 LEIIsa
2	01958012L09		door frame for cabinet LEIIsa
3	05273615M09		carter LEIIsa cabinet (black)
4	21014431L09		galvanized hinge L=855 black
5	21057222		foot assy (M8x40) - BVM971
6	01963611		LEIIsa door lock lever stop
7	07037011		spring for cups tube D=75
8	07037111		spring for cups tube D=63
9	01958811L09		box for spoons LEIIsa
10	09107111		cups tube D=63 L=405
11	09107311		cups tube D=75 L=405
12	01963511		LEIIsa door lock lever
13	21015336		lock for Sprint/Iris (eurolock)
14	21011116		expansion foot)plsCAM
15	05247515M09		BV931 waste coffe container
16	09082141		coffee grounds pipe D=75 L=220
17	05278120		coffee grounds tube assy ZO58
18	09027623-01		12x16 L=700 PVC pipe
19	01940211		Drain nozzle support
20	21006216		foot)plsCAM
21	01960011		Water drain funnel support
22	05024515		bushipe 8
23	08004111		microswitch insulationr spring
24	26013736		micro "too-full" indicator
25	22021116		0,80 nylon wirem.
26	05074412		floater assemblye
27	05137316		bucketle
28	23004096		cable damper(35*7 - rubber)
29	00104883		rubber buffer
30	01958512L09		cups box assembly LEIIsa
31	01986912L79		cups tube container ZO58 LEIIsa
32	22117222		ZO45/49 cabin. full buck.cable