

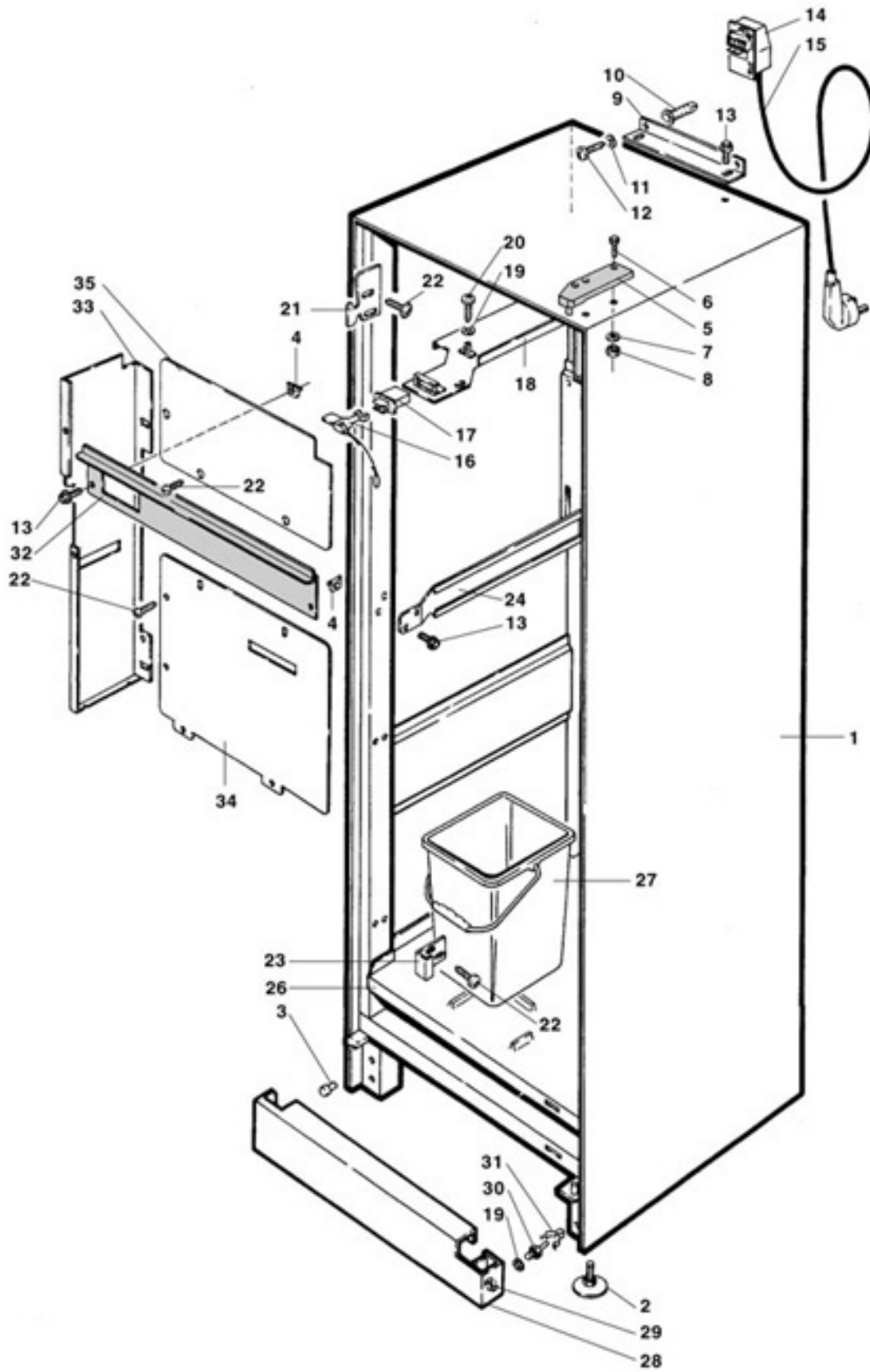
rheavendors 

vending machine

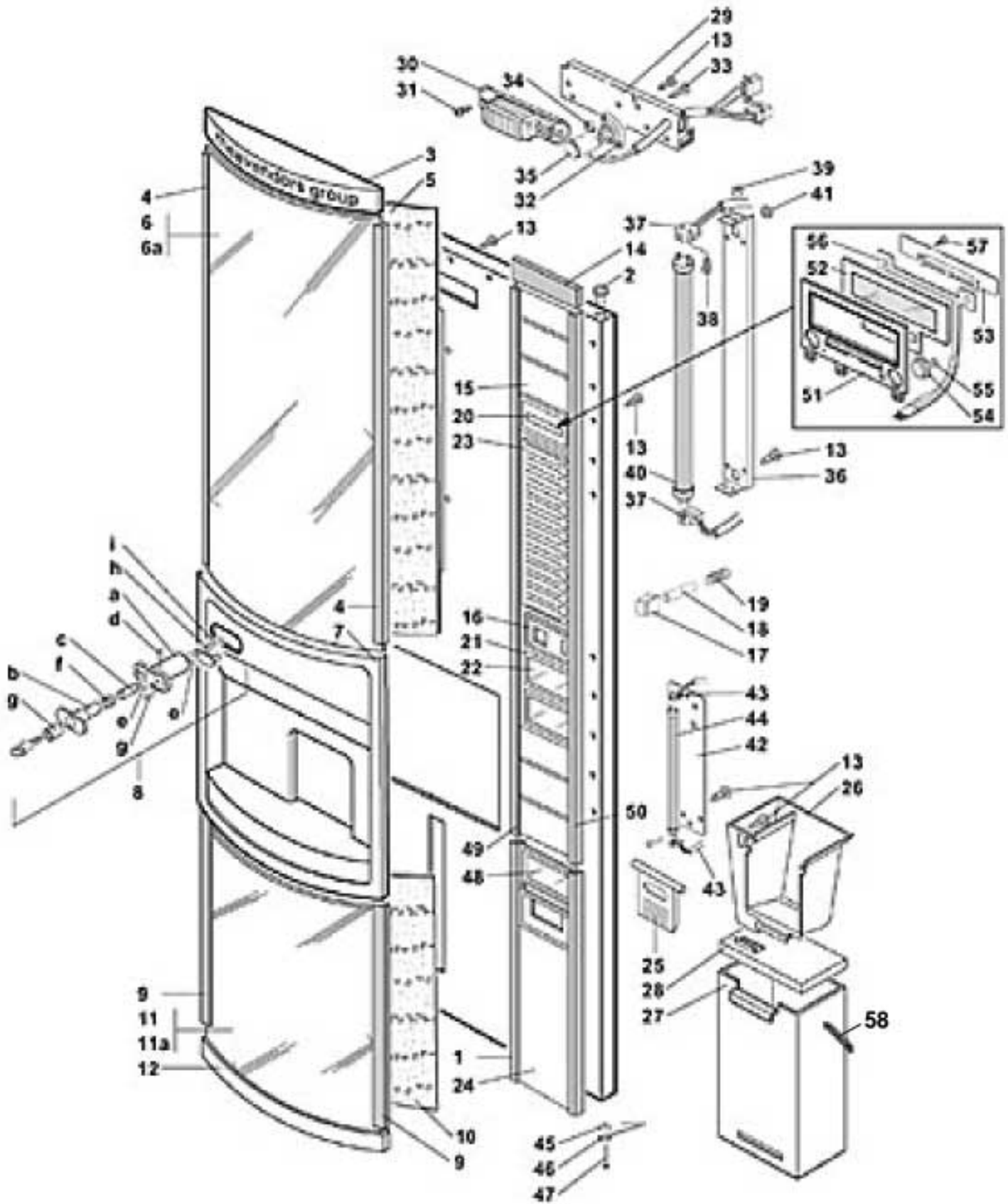
[LUCE]



spare parts manual

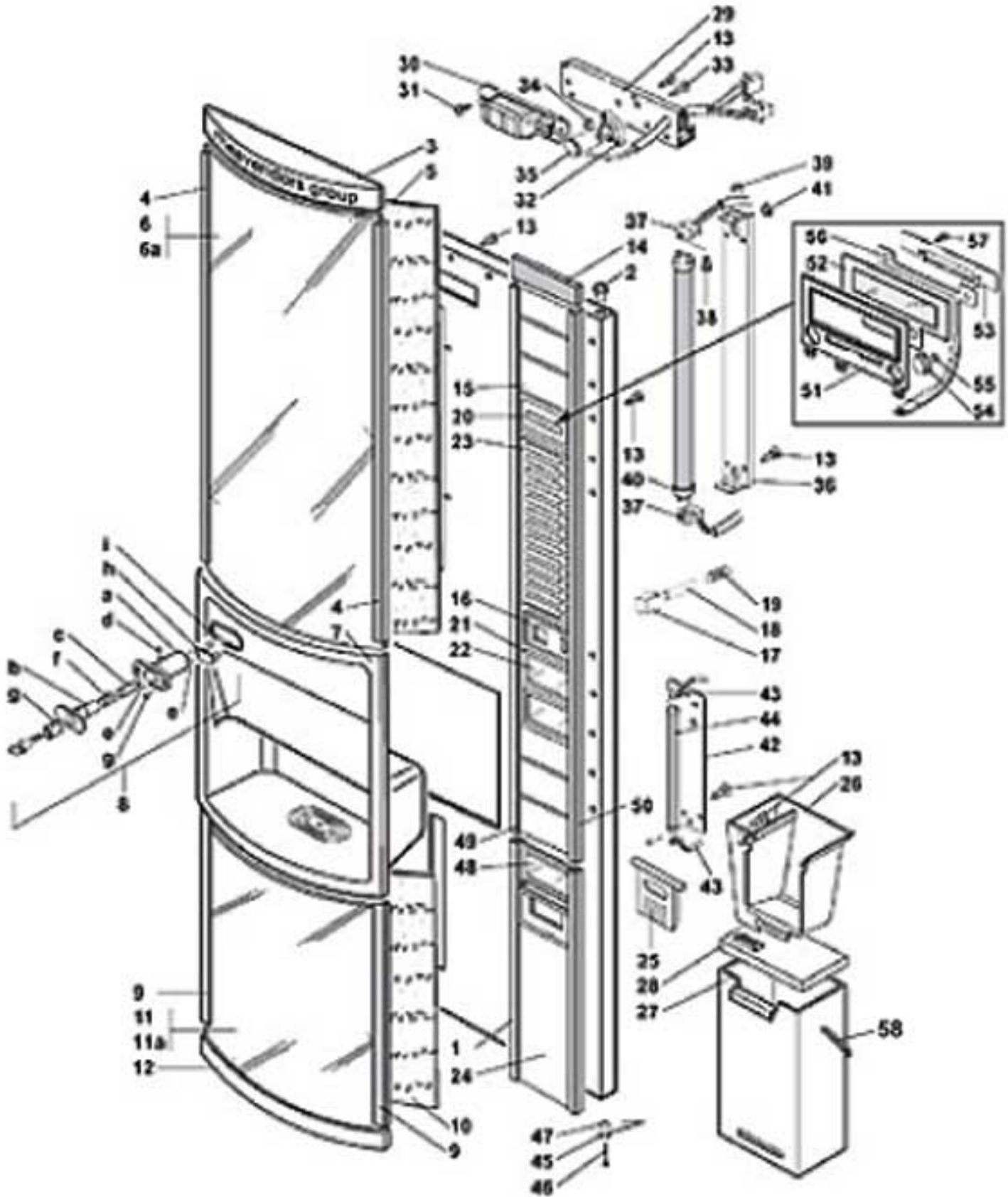


| Pos. | Code | Description |
|------|--------------|---|
| 1 | 0010015105 | CABINET STRUCTURE |
| | 0010015105AE | |
| | 0010015105CF | |
| | 0010015105CH | |
| | 0010015105CM | |
| | 0010015105NA | |
| 2 | 0010013208 | FEET |
| 3 | 0020018061 | BUTTON PLUG |
| 4 | VIT0009102 | M 6 NUT IN RETAINER |
| 5 | 0010013191 | UPPER HINGE |
| | 0010013191AE | |
| | 0010013191CF | |
| | 0010013191CG | |
| | 0010013191CH | |
| | 0010013191CM | |
| | 0010013191CN | |
| | 0010013191GF | |
| | 0010013191KE | |
| | 0010013191NA | |
| 6 | VIT0000215 | SCREW TE M8x25 |
| 7 | VIT0003402 | D. 8.4 GROWER SPRING WASHER |
| 8 | VIT0004506 | M 8 NUT |
| 9 | 0010018071 | DISPENSER SECURING BRACKET |
| 10 | VIT0010701 | TPF 8 x 50 DOWEL |
| 11 | VIT0003303 | WASHER D.6,5 x 18 x 1,5 |
| 12 | VIT0002022 | 5.5x 60 TAPPING TCB SCREW |
| 13 | VIT0000236 | E.H SCREW M 6 x 11 + FR |
| 14 | ELE0002410 | EXTERNAL TRIPOLAR TERMINAL BLOCK |
| 15/a | ELE0055003 | POWER LEAD H05VV-F 3 x 1.5 SCHUKO PLUG |
| 15/b | ELE0055004 | POWER LEAD H0VV-F 3 x 1.5 SC PLUG |
| 15/c | ELE0055006 | POWER LEAD H05VV-F 3 x 1.5 GB PLUG |
| 16 | 0270011109CL | SERVICE KEY ASSEMBLY |
| 17 | ELE0002009 | SAFETY SWITCH |
| 18 | 0010018116 | SAFETY SWITCH SUPPORT |
| 19 | VIT0003103 | WASHER tab D. 4.3 |
| 20 | VIT0000012 | SCREW T.C.B. M 4 x 10 |
| 21 | 0010015124 | DOOR SUPPORTING PLATE |
| 22 | VIT0000030 | SCREW TCB M4 x 7 |
| 23 | NL202100278 | LOWER LOCK PIN SECURING SQUARE |
| 24/a | 0010018115 | GROUP HOUSING SUPPORT |
| 24/b | 0010015146 | GROUP HOUSING SUPPORT |
| 25 | | |
| 26 | 0010015132NA | BOTTOM PROTECTION |
| 27 | CON0000201 | RECTANGULAR BIN |
| 28 | 0120004375 | FRONT PROTECTION |
| | 0120004375AE | |
| | 0120004375CF | |
| | 0120004375CG | |
| | 0120004375CH | |
| | 0120004375CM | |
| | 0120004375CN | |
| | 0120004375GF | |
| | 0120004375KE | |
| | 0120004375NA | |
| 29 | VIT0004503 | NUT M 4 |
| 30 | VIT0009151 | PIN |
| 31 | VIT0009152 | CONNECTION |
| 32 | 0010013181 | CONTAINERS SUPPORT |
| 33 | 0010015143 | BOILER SIDE PROTECTION |
| 34 | 0010015144 | BOILER PROTECTION |
| 35 | 0010015145 | STAINLESS STEEL BOILER UPPER PROTECTION |

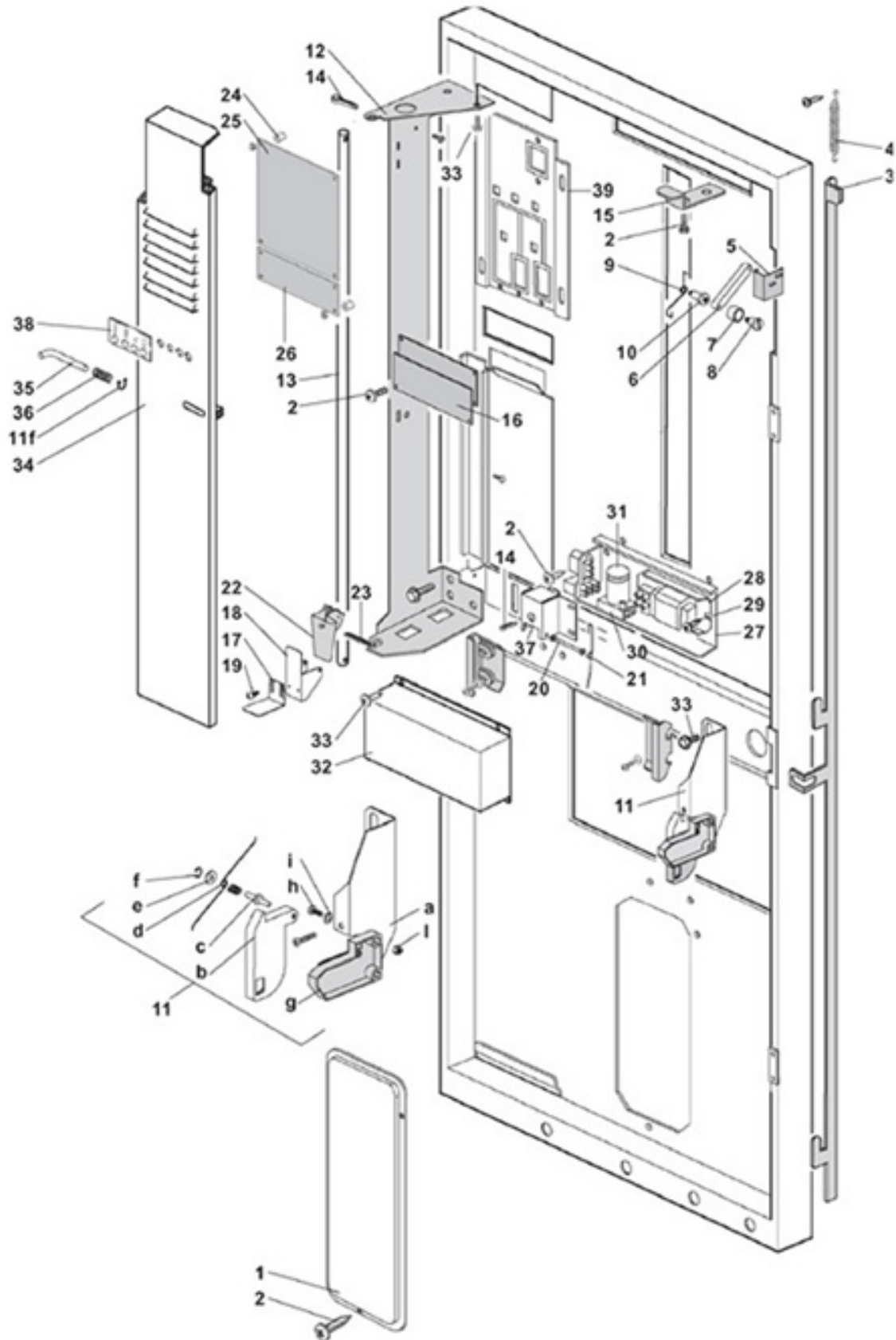


LUCE - EXTERNAL DOOR CLOSED STATION

| Pos. | Code | Description | |
|------|--------------|---|---------|
| 1 | 0020029405 | DOOR CASING | |
| | 0020029405AE | | |
| | 0020029405CF | | |
| | 0020029405CH | | |
| | 0020029405CM | | |
| | 0020029405NA | | |
| 2 | 0020034156 | DOOR HINGE BUSH | |
| 3/a | 0020034322CG | UPPER SUPPORT WITH BRAND | * |
| 3/b | 0020034322NA | UPPER SUPPORT WITH BRAND | * |
| 4/a | 0020034283CG | PHOTO SECURING UPPER FRAME | * |
| 4/b | 0020034283NA | PHOTO SECURING UPPER FRAME | * |
| 5 | 0020034293 | OPALINE UPPER GLASS | |
| 6 | 0020029441 | UPPER PHOTO PROTECTION | |
| 6/a | 1010065457 | UPPER PHOTO WITH AMARETTI | |
| 7 | See table | CUPS STOP CLOSED STATION | |
| 8 | 1150003200 | LOCK ASSEMBLY | |
| | 1150003200AE | | |
| | 1150003200CF | | |
| | 1150003200CG | | |
| | 1150003200CH | | |
| | 1150003200CM | | |
| | 1150003200CN | | |
| | 1150003200GF | | |
| | 1150003200KE | | |
| | 1150003200NA | | |
| 8/a | 1150003126 | LOCK SLEEVE | * |
| | 1150003126AE | | |
| | 1150003126CF | | |
| | 1150003126CG | | |
| | 1150003126CH | | |
| | 1150003126CM | | |
| | 1150003126CN | | |
| | 1150003126GF | | |
| | 1150003126KE | | |
| | 1150003126NA | | |
| 8/b | 1150002112 | LOCK BODY | * |
| | 1150002112AE | | |
| | 1150002112CF | | |
| | 1150002112CG | | |
| | 1150002112CH | | |
| | 1150002112CM | | |
| | 1150002112CN | | |
| | 1150002112GF | | |
| | 1150002112KE | | |
| | 1150002112NA | | |
| 8/c | 1150002111 | LOCK PIN | |
| 8/d | VIT0005203 | 4 x 18 CYLINDRICAL PIN | |
| 8/e | VIT0006508 | D 10 RADIAL STOP RING | |
| 8/f | 1150002113 | SPRING | |
| 8/g | SER0000003 | G 5 TUBULAR LOCK | |
| 8/h | 0020029439 | LOCK BRACKET | |
| 8/i | VIT0000208 | M 5x10 H.H. SCREW | |
| 9/a | 0020034285CG | PHOTO SECURING LOWER FRAME | * |
| 9/b | 0020034285NA | PHOTO SECURING LOWER FRAME | * |
| 10 | 0020029418 | OPALINE LOWER GLASS | |
| 11 | 0020029442 | LOWER PHOTO PROTECTION | |
| 11/a | 1010065459 | LOWER PHOTO WITH AMARETTI | * |
| 12/a | 0020034281CG | ROUNDED LOWER SUPPORT | * |
| 12/b | 0020034281NA | ROUNDED LOWER SUPPORT | * |
| 13 | VIT0002401 | TAPPING SCREW TCB 3.5 x 9.5 | |
| 14/a | 0020034278CG | UPPER SUPPORT | * |
| 14/b | 0020034278NA | UPPER SUPPORT | * |
| 15/a | 0020026341CG | | * |
| 15/b | 0020026341NA | | * |
| 16/a | 0020026343CG | | |
| 16/b | 0020026343NA | | * |
| 17 | 4050010072CK | COIN RETURN BUTTON | |
| 18 | 0020034023 | COIN RETURN PIN | |
| 19 | 4050010074 | COIN RETURN BUTTON SPRING | |
| 20/a | 0020029454CG | RAL 7035 DISPLAY GLASS FOR OLD ELECTRONIC VERSION | |
| 20/b | 0020029611CG | RAL 7035 DISPLAY GLASS FOR NEW ELECTRONIC VERSION | |
| 20/c | 0020029611CF | RAL 7016 DISPLAY GLASS FOR NEW ELECTRONIC VERSION | |
| 20/d | 0020029611CJ | RAL 7092 DISPLAY GLASS FOR NEW ELECTRONIC VERSION | |
| 21/a | 0020026342CG | FOR NEW ELECTRONIC VERSION | |
| 21/b | 0020026342NA | FOR NEW ELECTRONIC VERSION | |
| 22 | 0020026351 | INSTRUCTION GLASS FOR NEW ELECTRONIC VERSION | |
| 23 | See table | PULSANTIERA | |
| 24/a | 0020034279CG | LOWER SUPPORT | |
| 24/b | 0020034279NA | LOWER SUPPORT | |
| 25 | 0020018162CK | COIN RETURN HATCH | |
| 26 | 0020029444 | COIN ACCEPT-RETURN CHUTE ASSEMBLY | |
| 27 | 0030006101 | COIN SHEET COVER | |
| 28 | 0030006004R | COIN BOX COVER ASSEMBLY | |
| 29 | 0020029427 | ELECTRIC COMPONENTS UPPER SUPPORT | |
| 30 | ELE0009105 | 220 V 30 W BALLAST | |
| 31 | VIT0002002 | 3.5 x 6.5 TCB SCREW | |
| 32 | ELE0001012 | 111 AU STARTER-HOLDER | |
| 33 | VIT0000014 | M 4x16 TCB SCREW | |
| 34 | VIT0004503 | NUT M 4 | |
| 35 | ELE0009109 | STARTER | |
| 36 | 0020034307 | LAMP SUPPORT | |
| 37 | ELE0001011 | LAMP HOLDER | |
| 38 | VIT0000006 | M 3x16 TCB SCREW | |
| 39 | VIT0004701 | M3 FR NUT | |
| 40 | ELE0009017 | FLU. F. 18 LAMP | |
| 41 | CUA0010501 | MEMBRANE CORE HITCH Ø 7.5 | |
| 42 | 0020029112 | NEON HOUSING CLOSING SHEET | |
| 43 | ELE0009107 | BIPLUG G 13 LAMP HOLDER | |
| 44 | ELE0009018 | L 8 W 20 LAMP | |
| 45 | 0020034172 | DOOR STOP ROD | |
| 46 | 0020034173 | PIN FOR DOOR STOP ROD | |
| 47 | VIT0007102 | BENZING-QUICKLOCK | |
| 48 | 0020029457 | COINS RETURN GLASS | |
| 49 | 0020029422 | KEYBOARD GLASS LEFT PROFILE | |
| | 0020029422CG | | |
| | 0020029422CH | | |
| | 0020029422CM | | |
| | 0020029422KE | | |
| | 0020029422KF | | |
| | 0020029422NA | | |
| 50 | 0020029423 | KEYBOARD GLASS RIGHT PROFILE | |
| | 0020029423CG | | |
| | 0020029423CH | | |
| | 0020029423CM | | |
| | 0020029423KE | | |
| | 0020029423KF | | |
| | 0020029423NA | | |
| 51 | 0020029626 | SUGAR MODULE DISPLAY WITH SUGAR | |
| | 0020029626CF | | |
| | 0020029626CG | | |
| | 0020029626CK | | |
| | 0020029626CS | | |
| | 0020029626NA | | |
| 52 | 0020029631NA | BLACK LED DISPLAY GLASS | |
| 53 | 0020029629 | KEYBOARD LOWER SUPPORT | |
| 54 | 0020034305 | SELECTION BUTTON | |
| 55 | 0020034311 | FEELER SPRING | |
| 56 | 0020029630 | 2-KEY SUGAR KEYBOARD | |
| 57 | VIT0001401 | TAPPING SCREW TCB 3.5 x 9.5 | |
| 58 | 405001113 | COIN BOX HOOK | |
| 100 | 0030006100R | COIN BOX + COVER | assieme |
| 101 | 0020029503R | BLACK DOOR ASSEMBLY | assieme |

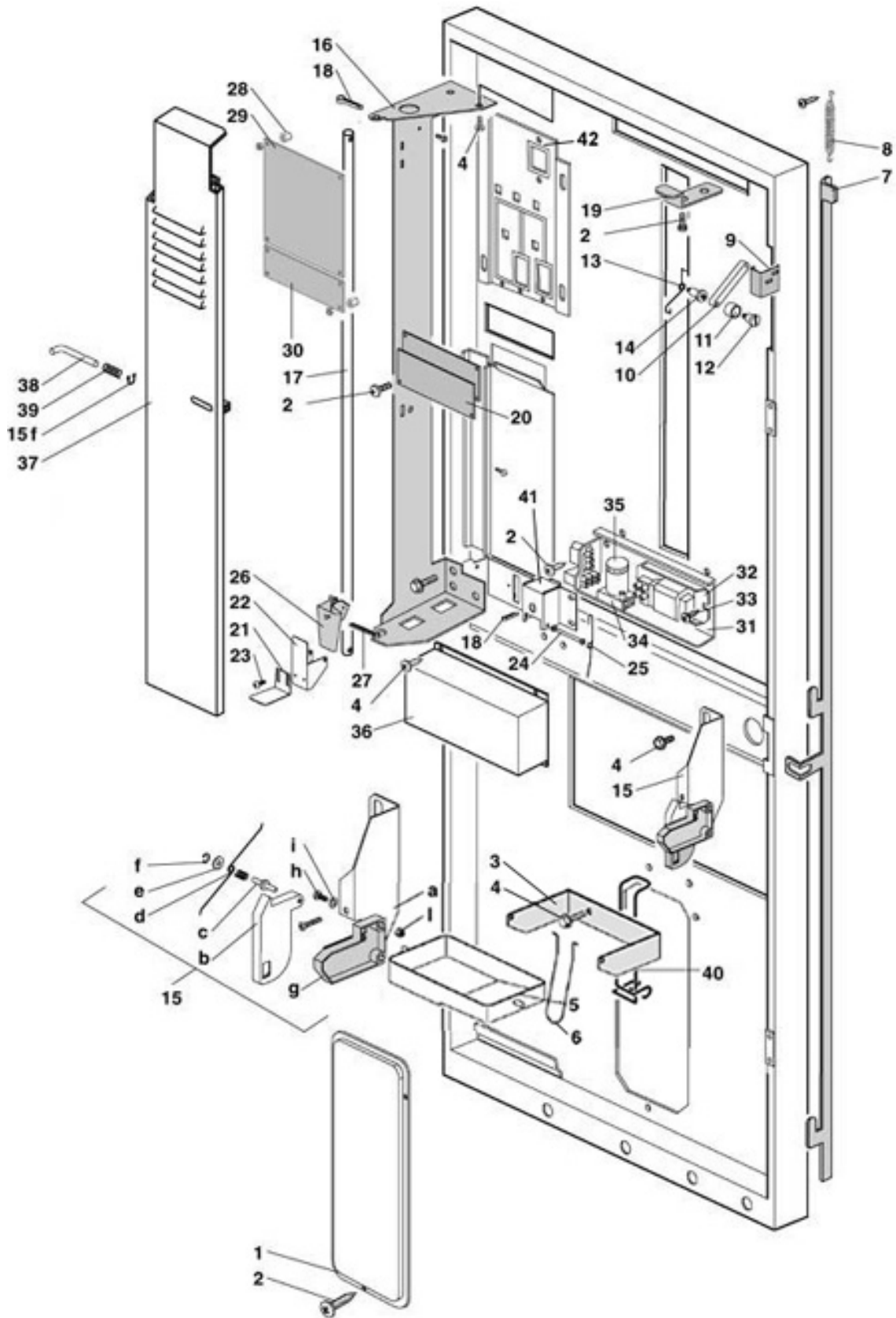


| Pos. | Code | Description | |
|------|--------------|---|--------------------|
| 1 | 0020029405 | DOOR CASING | |
| | 0020029405AE | | |
| | 0020029405CF | | |
| | 0020029405CH | | |
| | 0020029405CM | | |
| | 0020029405NA | | |
| 2 | 0020034156 | DOOR HINGE BUSH | |
| 3/a | 0020034322CG | UPPER SUPPORT WITH BRAND | * |
| 3/b | 0020034322NA | UPPER SUPPORT WITH BRAND | * |
| 4/a | 0020034283CG | PHOTO SECURING UPPER FRAME | * |
| 4/b | 0020034283NA | PHOTO SECURING UPPER FRAME | * |
| 5 | 0020034293 | OPALINE UPPER GLASS | |
| 6 | 0020029441 | UPPER PHOTO PROTECTION | |
| 6/a | 1010065457 | UPPER PHOTO WITH AMARETTI | |
| 7 | See table | CUPS STOP OPEN STATION | |
| 8 | 1150003200 | LOCK ASSEMBLY | |
| | 1150003200AE | | |
| | 1150003200CF | | |
| | 1150003200CG | | |
| | 1150003200CH | | |
| | 1150003200CM | | |
| | 1150003200CN | | |
| | 1150003200GF | | |
| | 1150003200KE | | |
| | 1150003200NA | | |
| 8/a | 1150003126 | LOCK SLEEVE | * |
| | 1150003126AE | | |
| | 1150003126CF | | |
| | 1150003126CG | | |
| | 1150003126CH | | |
| | 1150003126CM | | |
| | 1150003126CN | | |
| | 1150003126GF | | |
| | 1150003126KE | | |
| | 1150003126NA | | |
| 8/b | 1150002112 | LOCK BODY | * |
| | 1150002112AE | | |
| | 1150002112CF | | |
| | 1150002112CG | | |
| | 1150002112CH | | |
| | 1150002112CM | | |
| | 1150002112CN | | |
| | 1150002112GF | | |
| | 1150002112KE | | |
| | 1150002112NA | | |
| 8/c | 1150002111 | LOCK PIN | |
| 8/d | VIT0005203 | 4 x 18 CYLINDRICAL PIN | |
| 8/e | VIT0006508 | D 10 RADIAL STOP RING | |
| 8/f | 1150002113 | SPRING | |
| 8/g | SER0000003 | G 5 TUBULAR LOCK | |
| 8/h | 0020029439 | LOCK BRACKET | |
| 8/i | VIT0000208 | M 5x10 H.H. SCREW | |
| 9/a | 0020034293CG | PHOTO SECURING LOWER FRAME | * |
| 9/b | 0020034293NA | PHOTO SECURING LOWER FRAME | * |
| 10 | 0020029418 | OPALINE LOWER GLASS | |
| 11 | 0020029442 | LOWER PHOTO PROTECTION | |
| 11/a | 1010065459 | LOWER PHOTO WITH AMARETTI | * |
| 12/a | 0020034281CG | ROUNDED LOWER SUPPORT | * |
| 12/b | 0020034281NA | ROUNDED LOWER SUPPORT | * |
| 13 | VIT0002401 | TAPPING SCREW TCB 3.5 x 9.5 | |
| 14/a | 0020034278CG | UPPER SUPPORT | * |
| 14/b | 0020034278NA | UPPER SUPPORT | * |
| 15/a | 0020026341CG | | |
| 15/b | 0020026341NA | | |
| 16/a | 0020026343CG | | |
| 16/b | 0020026343NA | | |
| 17 | 4050010072CK | COIN RETURN BUTTON | * |
| 18 | 0020034023 | COIN RETURN PIN | |
| 19 | 4050010074 | COIN RETURN BUTTON SPRING | |
| 20/a | 0020022673NA | DISPLAY GLASS FOR OLD ELECTRONIC VERSION | |
| 20/b | 0020022673CF | DISPLAY GLASS FOR OLD ELECTRONIC VERSION | |
| 20/c | 0020022673CG | DISPLAY GLASS FOR OLD ELECTRONIC VERSION | |
| 20/d | 0020029611CG | RAL 7035 DISPLAY GLASS FOR OLD ELECTRONIC VERSION | |
| 20/e | 0020029611CG | RAL 7035 DISPLAY GLASS FOR NEW ELECTRONIC VERSION | |
| 20/f | 0020029611CF | RAL 7016 DISPLAY GLASS FOR NEW ELECTRONIC VERSION | |
| 20/g | 0020029611CF | RAL 7042 DISPLAY GLASS FOR NEW ELECTRONIC VERSION | |
| 21/a | 0020026342CG | FOR NEW ELECTRONIC VERSION | |
| 21/b | 0020026342NA | FOR NEW ELECTRONIC VERSION | |
| 22 | 0020026351 | INSTRUCTION GLASS FOR NEW ELECTRONIC VERSION | |
| 23 | See table | PULSANTIERA | |
| 24/a | 0020034279CG | LOWER SUPPORT | |
| 24/b | 0020034279NA | LOWER SUPPORT | |
| 25/a | 0020018162CK | COIN RETURN HATCH | |
| 25/b | 0020018162NA | COIN RETURN HATCH | * |
| 26 | 0020029444 | COIN ACCEPT-RETURN CHUTE ASSEMBLY | |
| 27 | 0030006106 | COIN SHEET COVER | |
| 28 | 0030006094R | COIN BOX COVER ASSEMBLY | |
| 29 | 0020029427 | ELECTRIC COMPONENTS UPPER SUPPORT | |
| 30 | ELE0009105 | 220 V 30 W BALLAST | |
| 31 | VIT0002002 | 3.5 x 6.5 TCB SCREW | |
| 32 | ELE0009102 | T11 AU STARTER-HOLDER | |
| 33 | VIT0000114 | M 4x16 TCB SCREW | |
| 34 | VIT0004503 | NUT M 4 | |
| 35 | ELE0009109 | STARTER | |
| 36 | 0020034307 | LAMP SUPPORT | |
| 37 | ELE0009101 | LAMP HOLDER | |
| 38 | VIT0000006 | M 3x16 TCB SCREW | |
| 39 | VIT0004701 | M3 FR NUT | |
| 40 | ELE0009017 | FLU F-18 LAMP | |
| 41 | GU0010501 | MEMBRANE CORE HITCH Ø 7.5 | |
| 42 | 0020029112 | NEON HOUSING CLOSING SHEET | |
| 43 | ELE0009107 | BIPLUG G 13 LAMP HOLDER | |
| 44 | ELE0009018 | L 8 W 20 LAMP | |
| 45 | 0020034172 | DOOR STOP ROD | |
| 46 | 0020034173 | PIN FOR DOOR STOP ROD | |
| 47 | VIT0007102 | BENFING-QUICKLOCK | |
| 48 | 0020029457 | COINS RETURN GLASS | |
| 49 | 0020029422 | KEYBOARD GLASS LEFT PROFILE | |
| | 0020029422CG | | |
| | 0020029422CH | | |
| | 0020029422CM | | |
| | 0020029422KE | | |
| | 0020029422KF | | |
| | 0020029422NA | | |
| 50 | 0020029423CG | KEYBOARD GLASS RIGHT PROFILE | |
| | 0020029423CH | | |
| | 0020029423CM | | |
| | 0020029423KE | | |
| | 0020029423KF | | |
| | 0020029423NA | | |
| 51 | 0020029626 | SUGAR MODULE DISPLAY WITH SUGAR | |
| | 0020029626CF | | |
| | 0020029626CG | | |
| | 0020029626CK | | |
| | 0020029626CS | | |
| | 0020029626NA | | |
| 52 | 0020029631NA | BLACK LED DISPLAY GLASS | |
| 53 | 0020029629 | KEYBOARD LOWER SUPPORT | |
| 54 | 0020034305 | SELECTION BUTTON | |
| 55 | 0020034311 | FEELER SPRING | |
| 56 | 0020029630 | 2-KEY SUGAR KEYBOARD | |
| 57 | VIT0002401 | TAPPING SCREW TCB 3.5 x 9.5 | |
| 58 | 4060010113 | COIN BOX HOOK | |
| 100 | 0030010100R | COIN BOX COVER | |
| 101 | 0020029503R | BLACK DOOR ASSEMBLY | assieme assieme |



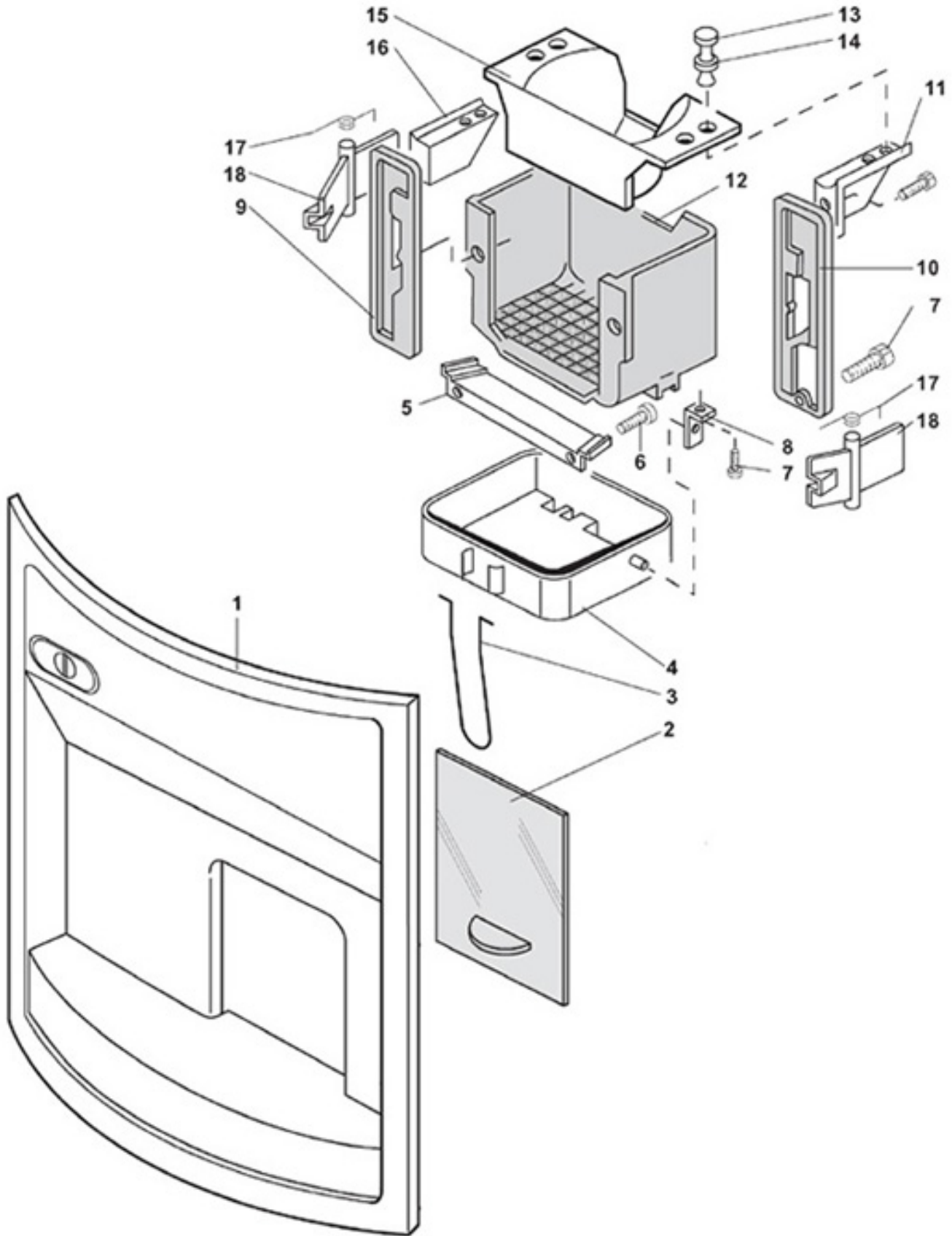
LUCE - LIGHTED DOOR CLOSED STATION

| Pos. | Code | Description |
|------|--------------|---|
| 1 | 0020029432 | LAMP SUPPORT LOWER PROTECTION |
| 2 | VIT0002401 | TAPPING SCREW TCB 3.5 x 9.5 |
| 3 | 0020029437 | LOCK PIN |
| 4 | 2100002007 | CUPS LOADER SPRING |
| 5 | NL202100275 | UPPER LOCK PIN SECURING SQUARE |
| 6 | 0010018026 | DOOR CENTERING LEVER |
| 7 | 0010015125 | LEVER PIN ROLL |
| 8 | 0010018028 | DOOR CENTRERING ROLL PIN |
| 9 | NL202100285 | LEVER RETURN SPRING |
| 10 | NL202100276 | DOOR CENTERING LEVER PIN |
| 11 | 0020022626R | CUPS LOADER CONNECTION ASSEMBLY |
| 11/a | 0020022626 | CUPS LOADER SUPPORT |
| 11/b | 0020018227NA | CUP LOADER HOOK |
| 11/c | 0020018234 | CONNECTING PLATE PIN |
| 11/d | 0020018237 | CONNECTING SPRING |
| 11/e | VIT0003004 | 5.3x10x1 WASHER |
| 11/f | VIT0006502 | D.3.2 RADIAL STOP RING |
| 11/g | 0020018241 | LOADER SUPPORTING PLATE |
| 11/h | VIT0000003 | M 3x8 TCB SCREW |
| 11/i | VIT0003102 | WASHER tab D. 3.2 |
| 11/l | VIT0004502 | M3 NUT |
| 12 | 0020029434 | CUPS LOADER SUPPORT |
| 13 | 0180011818 | CUPS LOADER HINGE PIN |
| 14 | VIT0006004 | 1.5x15 PIN |
| 15 | 0270011452 | CONTRAST SQUARE |
| 16 | see tab. 26 | |
| 17 | 0020026322 | COIN RETURN LOWER BRACKET |
| 18 | 0020034025 | COIN RETURN UPPER LEVER |
| 19 | VIT0000030 | SCREW TCB M4 x 7 |
| 20 | 0020034187 | PIN |
| 21 | 0020005013 | COIN RETURN LEVER SPRING |
| 22 | 0020034045NA | |
| 23 | VIT0007005 | 1.5x40 PIN |
| 24 | 0020018125 | BOARD SPACER |
| 25 | see tab. 26 | |
| 26 | see tab. 26 | |
| 27 | 0020029429 | ELECTRIC COMPONENTS LOWER SUPPORT |
| 28 | ELE0009116 | 220 V BALLAST |
| 29 | VIT0002002 | 3.5 x 6.5 TCB SCREW |
| 30 | ELE0009108 | L 8 W 20 LAMP |
| 31 | ELE0009109 | STARTER |
| 32 | 0020029433 | ELECTRIC OMPONENTS PROTECTION |
| 33 | VIT0000236 | E.H SCREW M 6 x 11 + FR |
| 34/a | 0020029426 | COIN BOX PROTECTION |
| 34/b | 0020029612 | COIN BOX PROTECTION (for new electronics version) |
| 35 | 0020026335 | LOCK |
| 36 | 4001003301 | CONTAINER SECURING PIN SPRING |
| 37 | 0020029294 | COINS MODULE COVER |
| 38 | 0020029637 | WASHING PROGRAM KEYBOARD LABEL |
| 39 | 0020029456 | HOUSING CLOSING SHEET |



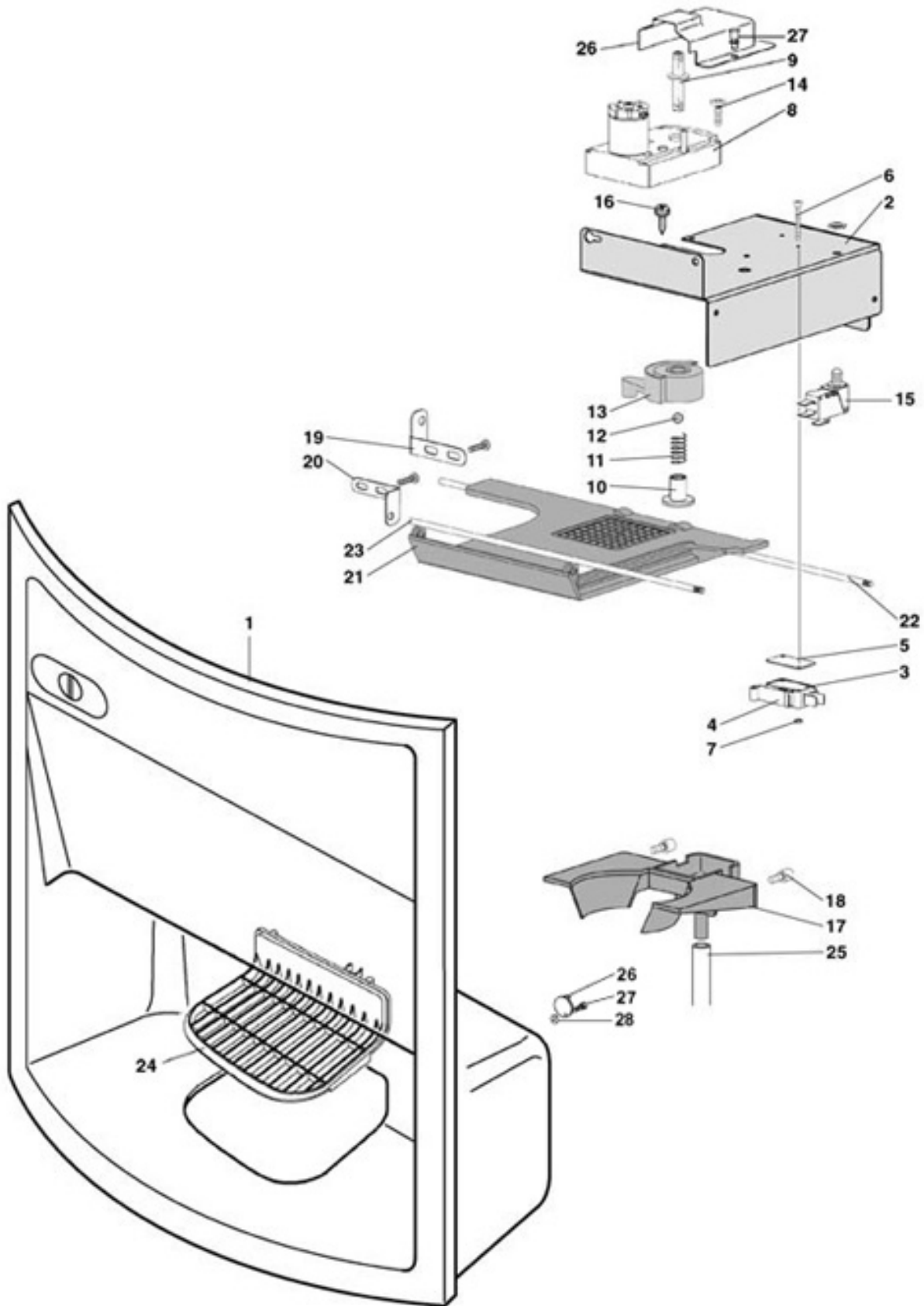
LUCE - LIGHTED DOOR OPEN STATION

| Pos. | Code | Description |
|------|--------------|---|
| 1 | 0020029432 | LAMP SUPPORT LOWER PROTECTION |
| 2 | VIT0002401 | TAPPING SCREW TCB 3.5 x 9.5 |
| 3 | 0150001103 | FEEDER SUPPORT |
| 4 | VIT0000236 | E.H SCREW M 6 x 11 + FR |
| 5 | 0150001104NA | FEEDER |
| 6 | 0150001105 | FEEDER COUNTERPART |
| 7 | 0020029437 | LOCK PIN |
| 8 | 2100002007 | CUPS LOADER SPRING |
| 9 | NL202100275 | UPPER LOCK PIN SECURING SQUARE |
| 10 | 0010018026 | DOOR CENTERING LEVER |
| 11 | 0010015125 | LEVER PIN ROLL |
| 12 | 0010018028 | DOOR CENTRERING ROLL PIN |
| 13 | NL202100285 | LEVER RETURN SPRING |
| 14 | NL202100276 | DOOR CENTERING LEVER PIN |
| 15 | 0020022626R | CUPS LOADER CONNECTION ASSEMBLY |
| 15/a | 0020022626 | CUPS LOADER SUPPORT |
| 15/b | 0020018227NA | CUP LOADER HOOK |
| 15/c | 0020018234 | CONNECTING PLATE PIN |
| 15/d | 0020018237 | CONNECTING SPRING |
| 15/e | VIT0003004 | 5.3x10x1 WASHER |
| 15/f | VIT0006502 | D.3.2 RADIAL STOP RING |
| 15/g | 0020018241 | LOADER SUPPORTING PLATE |
| 15/h | VIT0000003 | M 3x8 TCB SCREW |
| 15/i | VIT0003102 | WASHER tab D. 3.2 |
| 15/l | VIT0004502 | M3 NUT |
| 16 | 0020029434 | CUPS LOADER SUPPORT |
| 17 | 0180011818 | CUPS LOADER HINGE PIN |
| 18 | VIT0006004 | 1.5x15 PIN |
| 19 | 0270011452 | CONTRAST SQUARE |
| 20 | see tab. 26 | |
| 21 | 0020026322 | COIN RETURN LOWER BRACKET |
| 22 | 0020034025 | COIN RETURN UPPER LEVER |
| 23 | VIT0000030 | SCREW TCB M4 x 7 |
| 24 | 0020034187 | PIN |
| 25 | 0020005013 | COIN RETURN LEVER SPRING |
| 26 | 0020034045NA | |
| 27 | VIT0007005 | 1.5x40 PIN |
| 28 | 0020029113 | CPU BOARD SPACER |
| 29 | See table | CONTROL AND POWER LOGIC |
| 30 | See table | CONTROL AND POWER LOGIC |
| 31 | 0020029429 | ELECTRIC COMPONENTS LOWER SUPPORT |
| 32 | ELE0009116 | 220 V BALLAST |
| 33 | VIT0002002 | 3.5 x 6.5 TCB SCREW |
| 34 | ELE0009108 | L 8 W 20 LAMP |
| 35 | ELE0009109 | STARTER |
| 36 | 0020029433 | ELECTRIC OMPONENTS PROTECTION |
| 37/a | 0020029426 | COIN BOX PROTECTION |
| 37/b | 0020029612 | COIN BOX PROTECTION (for new electronics version) |
| 38 | 0020026335 | LOCK |
| 39 | 4001003301 | CONTAINER SECURING PIN SPRING |
| 40 | 0150001102 | GRATE SAFETY SPRING |
| 41 | 0020029294 | COINS MODULE COVER |
| 42 | 0020029456 | HOUSING CLOSING SHEET |
| 43 | 0020029637 | WASHING PROGRAM KEYBOARD LABEL |



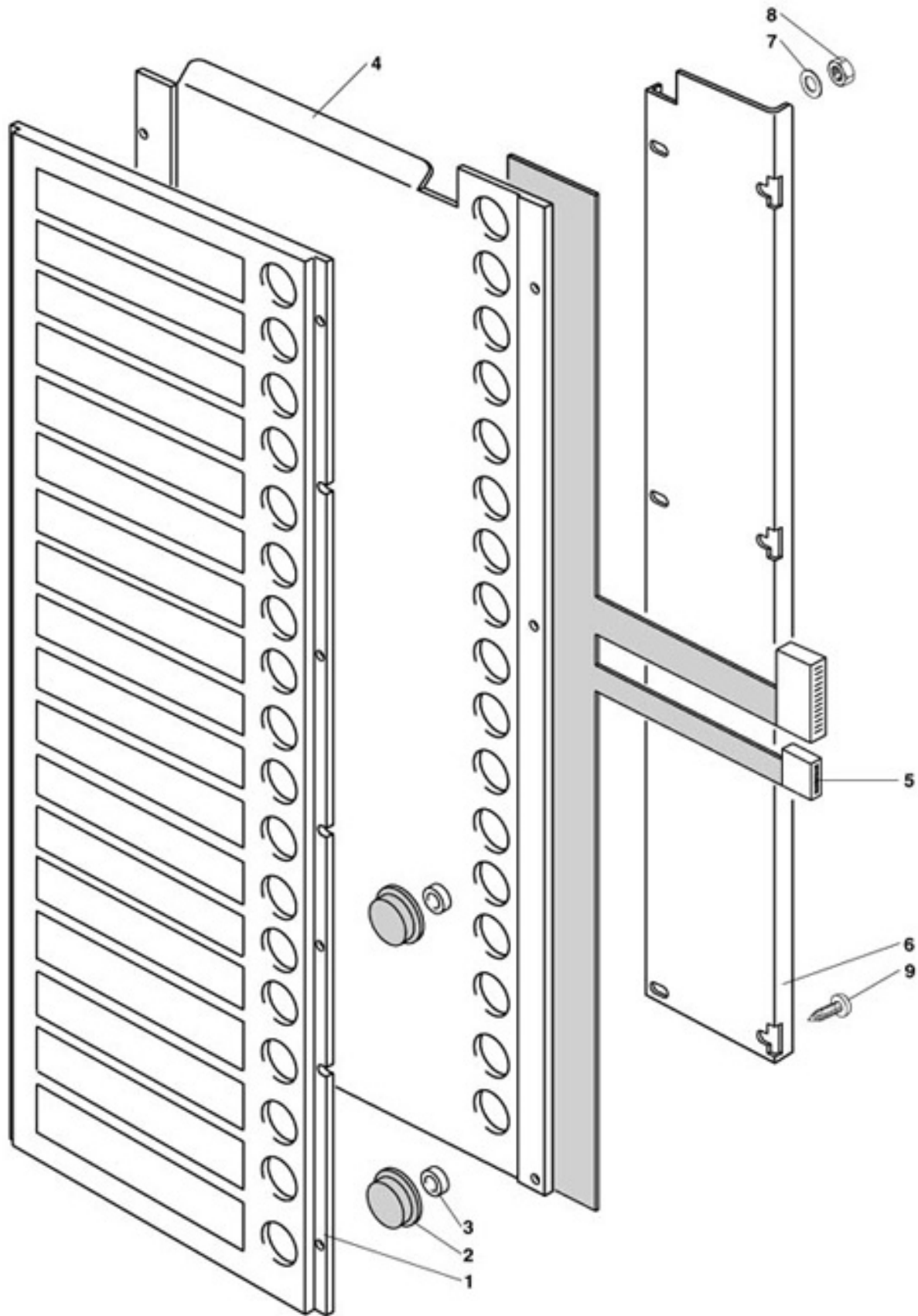
LUCE - CUPS STOP CLOSED STATION

| Pos. | Code | Description | |
|------|--------------|----------------------------|---------|
| 1 | 040008433 | CUPS STATION FRAME | |
| | 040008433CF | | |
| | 040008433CG | | |
| | 040008433CH | | |
| | 040008433CM | | |
| | 040008433NA | | |
| 2 | 040008009/2 | CUPS STOP HATCH | |
| 3 | 0150001053 | FEEDER COUNTERPART | |
| 4 | 0150001052 | FEEDER | * |
| | 0150001052CA | | |
| | 0150001052CA | | |
| | 0150001052CB | | |
| | 0150001052CB | | |
| | 0150001052NA | | |
| | 0150001052NA | | |
| 5 | 0150001056 | DRIP TRAP | |
| 6 | VIT0002452 | TAPPING SCREW TCB 3.5 x 12 | |
| 7 | VIT0002001 | 2.9x 6.5 TAPPING TCB SCREW | |
| 8 | 040008101NA | FEEDER SUPPORT | |
| 9 | 040007027NA | R.H. SUPPORT | |
| 10 | 040007014NA | L.H. SUPPORT | |
| 11 | 040006026NA | L.H. BRACKET | |
| 12 | 040007003NA | CUP STOP SUPPORT | |
| 13 | VIT0007105 | BUTTON | |
| 14 | VIT0007104 | BUSH | |
| 15 | 040006033NA | CUP SUPPORT | |
| 16 | 040006011NA | R.H. BRACKET | |
| 17 | 040007021 | LOCKING SPRING | |
| 18 | 040007017 | LOCKING PLATE | * |
| | 040007017CA | | |
| | 040007017CA | | |
| | 040007017CB | | |
| | 040007017CB | | |
| | 040007017NA | | |
| | 040007017NA | | |
| 100 | 0020022622CL | CUP MOVEMENT ASSEMBLY | assieme |

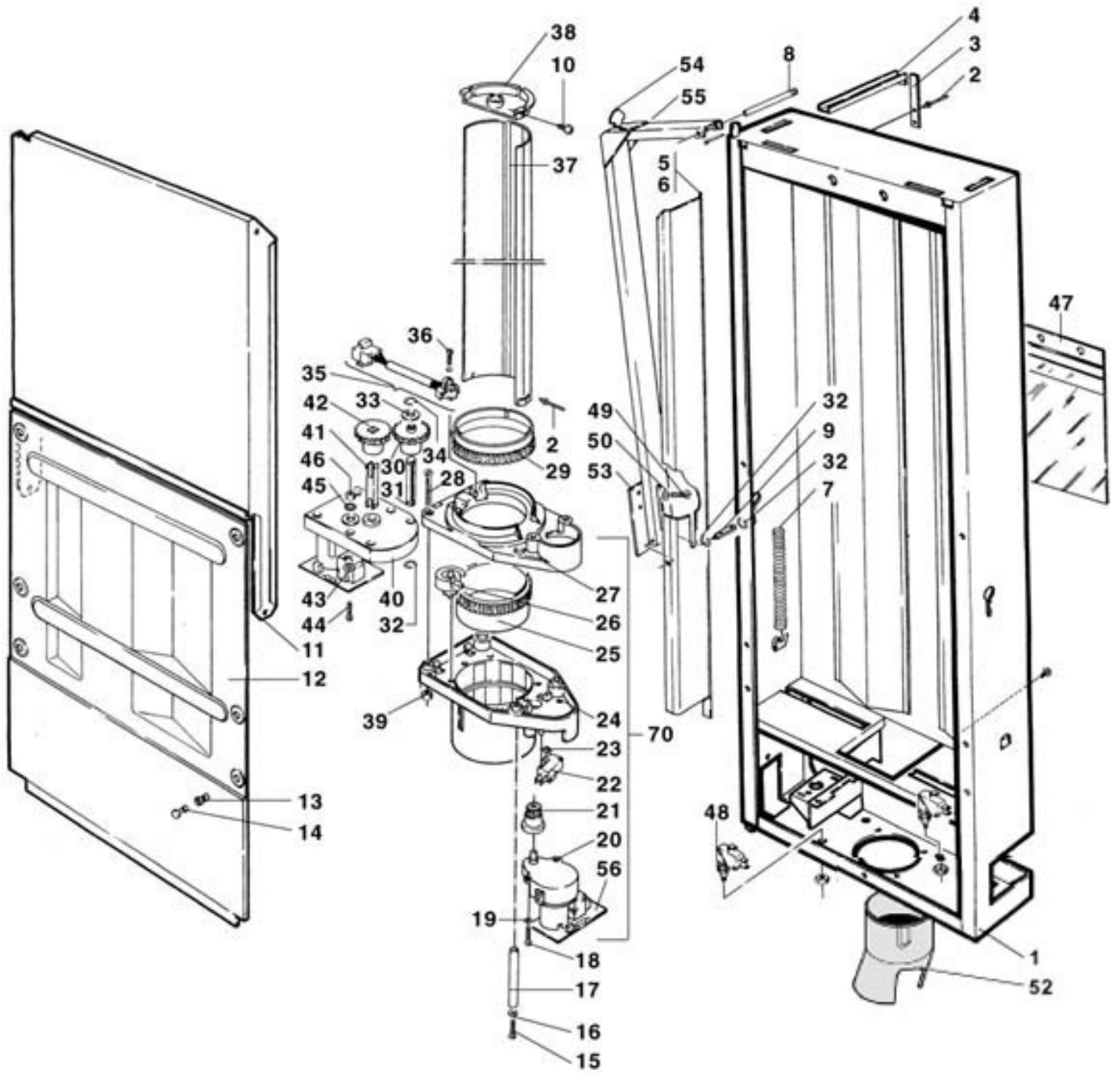


LUCÉ - CUPS STOP OPEN STATION

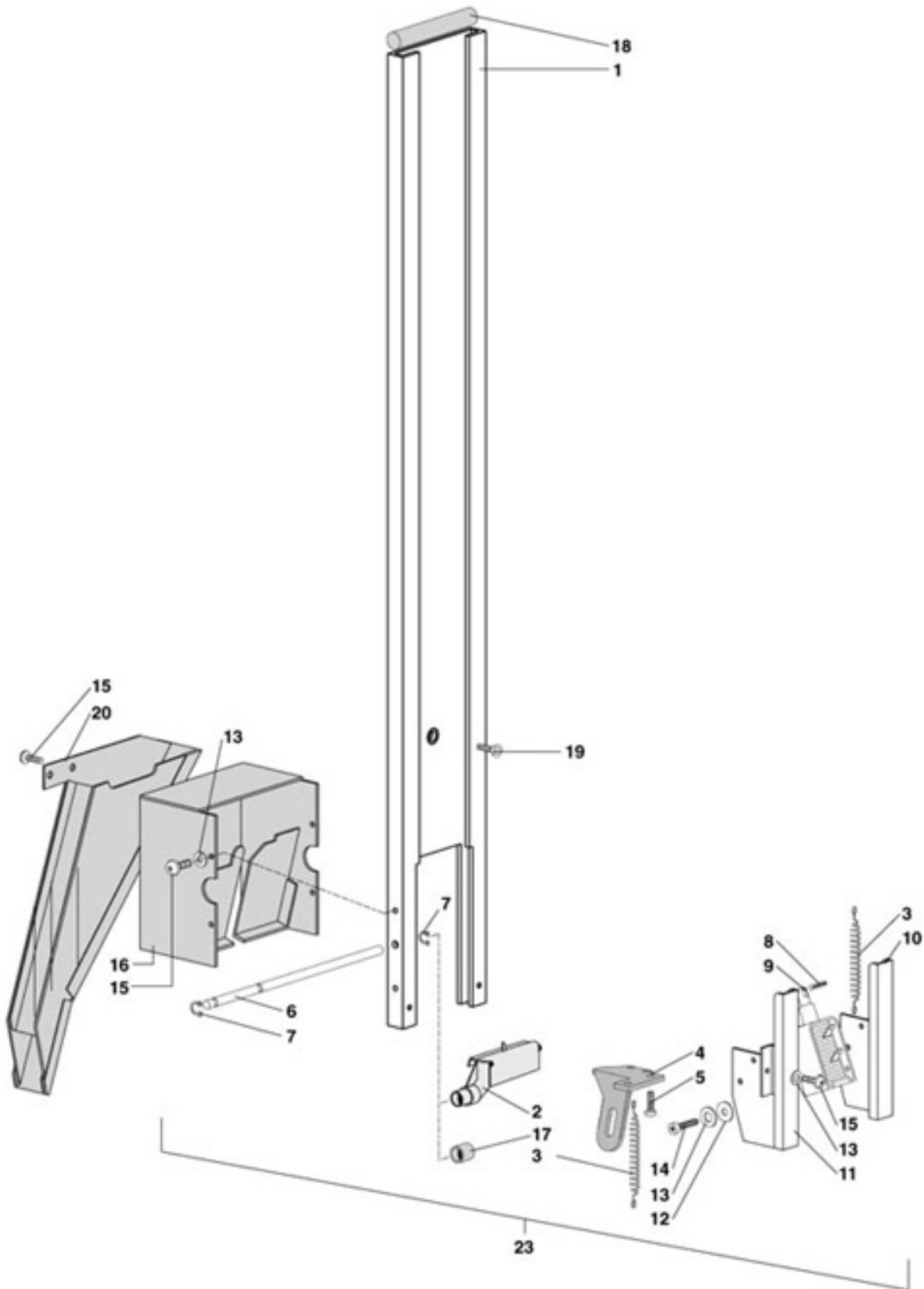
| Pos. | Code | Description | |
|------|--------------|-------------------------------|---------|
| 1 | 040008441 | CUPS STATION FRAME | |
| | 040008441CF | | |
| | 040008441CG | | |
| | 040008441CM | | |
| | 040008441NA | | |
| 2 | 0020022623 | GEAR MOTOR SECURING PLATE | |
| 3 | ELE0001522 | 1-WAY 16 A 250 V MICROSWITCH | |
| 4 | ELE0001906 | 161 E R 24.1 MICRO LEVER | |
| 5 | 4600010014 | MICRO SPACER | |
| 6 | VIT0000104 | M 3x16 TSP SCREW | |
| 7 | VIT0004502 | M3 NUT | |
| 8 | 0090002109 | 24V D.C. GEAR MOTOR 24 R.P.M. | |
| 9 | 0020022678 | MOTOR SHAFT | |
| 10 | 0020022672 | GEAR MOTOR FLANGE | |
| 11 | 0020022674 | SPRING | |
| 12 | VIT0009306 | BALL 5/32 | |
| 13 | 0020022624 | CLOSING CAM | |
| 14 | VIT0000014 | M 4x16 TCB SCREW | |
| 15 | ELE0001506 | MICROSWITCH 83.131.8-IW3M | |
| 16 | VIT0000030 | SCREW TCB M4 x 7 | |
| 17 | 0020029458NA | CUPS SUPPORT | |
| 18 | 0020029459 | CUPS SUPPORT SECURING | |
| 19 | 0020022644 | LOWER PIN SUPPORT | |
| 20 | 0020022635 | UPPER PIN SUPPORT | |
| 21 | 0020022616NA | CUPS ROOM CLOSING | |
| 22 | 0020022647 | LOWER GUIDE PIN | |
| 23 | 0020022634 | CLOSING GUIDE PIN | |
| 24 | 040008442NA | CUPS STOP GRATE | |
| 25 | TSIL10/14M | D.10x14 BROWN SILICONE PIPE | |
| 26 | 0020029431 | STOP DISK | |
| 27/a | VIT0007105 | BUTTON | |
| 27/b | VIT0007104 | BUSH | |
| 28 | VIT0003506 | WASHER NYLON D.6/10 SP.1 | |
| 29 | 0020029509 | LOCKING GRATE SCREW | |
| 30 | 0260010104 | STOP DISK | |
| 100 | 0020022622CL | CUP MOVEMENT ASSEMBLY | assieme |



| Pos. | Code | Description |
|------|--------------|-------------------------|
| 1/a | 0020029453CG | SPOTTED BUTTONS GLASS |
| 1/b | 0020029408KF | RAL 3003 BUTTONS GLASS |
| 1/c | 0020029408NA | BLACK BUTTONS GLASS |
| 2/a | 0020034305AB | WHITE BUTTON |
| 2/b | 0020034305CK | GREY BUTTON |
| 3 | 0020034311 | FEELER SPRING |
| 4 | 0020029634 | BUTTONS PLATE |
| 5 | 0020029636 | KEYBORD |
| 6 | 0020029409 | KEYBOARD SUPPORT |
| 7 | VIT0003301 | WASHER D.12 x 4.3 x 1.5 |
| 8 | VIT0004503 | NUT M 4 |
| 9 | VIT0002002 | 3.5 x 6.5 TCB SCREW |

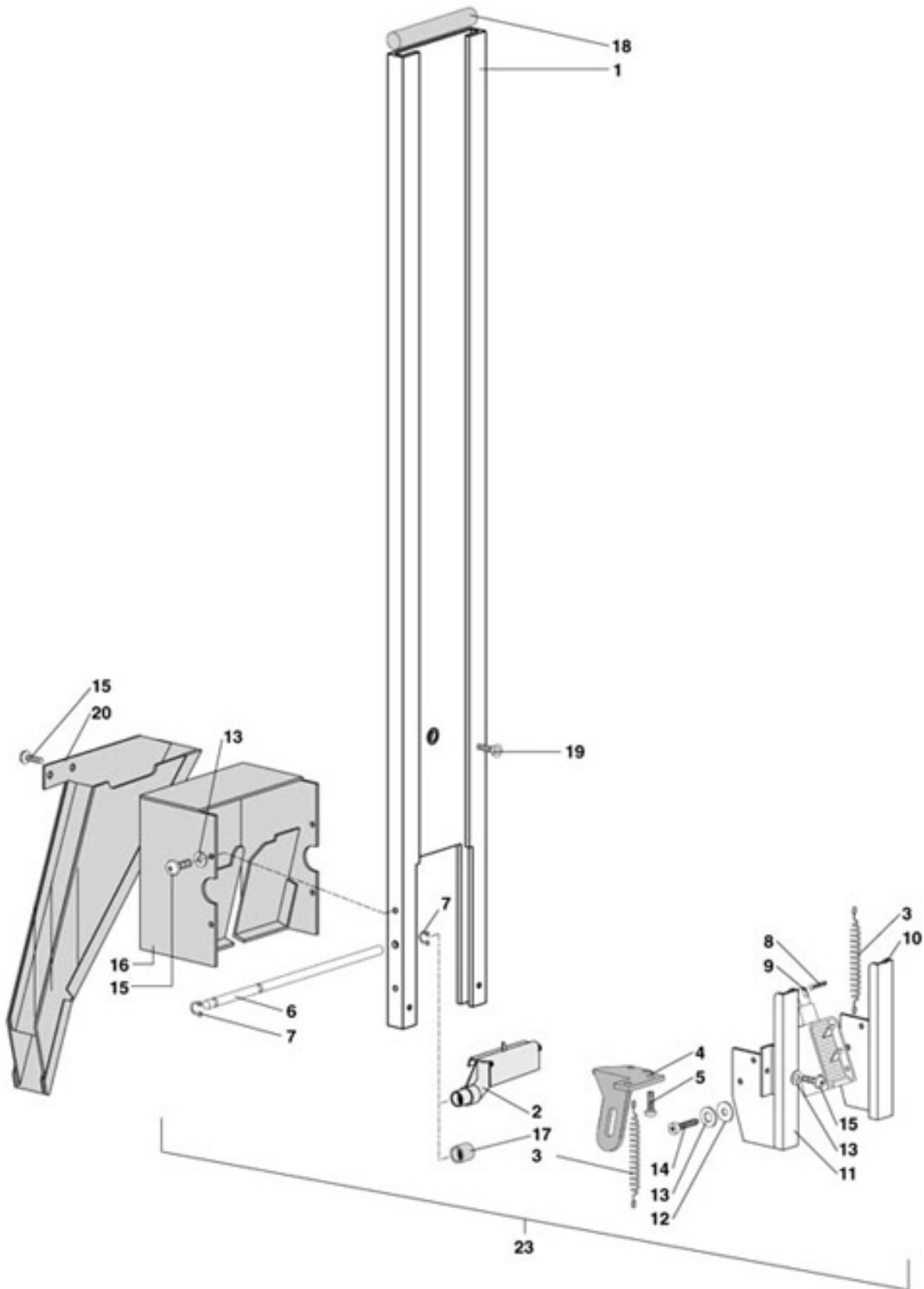


| Pos. | Code | Description | |
|------|--------------|---|---------|
| 1 | 0180011856 | 600-CUP LOADER STRUCTURE | |
| 2 | VIT0007001 | M 3 x 7 COPPER RIVET | |
| 3 | 0180009051 | STOP CONNECTION SPRING | |
| 4 | 0180009054 | STOP CONNECTION | |
| 5 | 0180011817 | R.H. - L.H WALL | |
| 6 | | | |
| 7 | 0180011828 | SPRING | |
| 8 | 0180009116 | LONG WALL-PUSHING PIN | |
| 9 | 0180011823 | WALL-PUSHER PIN | |
| 10 | VIT0002401 | TAPPING SCREW TCB 3.5 x 9.5 | |
| 11 | 0180011866 | LOADER COVER | |
| 12 | 0180011868CK | 600-CUP FIXED COVER | |
| 13 | VIT0007110 | BUSH | |
| 14 | VIT0007111 | SECURING BUTTON | |
| 15 | VIT0000002 | M 3x16 TCB SCREW | |
| 16 | VIT0003002 | D.3.2x7x0.5 WASHER | |
| 17 | 0180011534 | COLUMN | |
| 18 | VIT0000006 | M 3x16 TCB SCREW | |
| 19 | VIT0003102 | WASHER tab D. 3.2 | |
| 20 | 0090002512 | 24 V DC 10 ROM GEAR MOTOR HEXAGONAL SHAFT | |
| 21 | 0190006007 | FGEAR MOTOR PINION | |
| 22 | ELE0001522 | 1-WAY 16 A 250 V MICROSWITCH | |
| 23 | ELE0001906 | 161 E R 24.1 MICRO LEVER | |
| 24 | 0190006056 | LOWER PLATE | |
| 25 | 0190006004 | Z 66 RING NUT | |
| 26 | 0190006005 | CAM WITH PINION | |
| 27 | 0190012155 | UPPER PLATE | |
| 28 | VIT0000019 | M 5x35 TCB SCREW | |
| 29 | 0180009145 | CENTRAL COLUMN RING NUT | |
| 30 | 0190012108 | Z.30 PINION | |
| 31 | 0180011533 | DB SHAFT FOR Z.30 PINION | |
| 32 | VIT0006502 | D.3.2 RADIAL STOP RING | |
| 33 | VIT0003303 | WASHER D.6.5 x 18 x 1.5 | |
| 34 | VIT0006503 | D.4 RADIAL STOP RING | |
| 35/a | CBL0900201 | CUP DETECTOR+ COLUMN DETECTOR | |
| 35/b | SCH0004220 | CUP DETECTOR | |
| 36 | VIT0002012 | 2.9x 16 TAPPING TCB SCREW | |
| 37 | 0180011808 | CENTRAL COLUMN | |
| 38 | 0180005007 | CENTRAL COLUMN GUIDE | |
| 39 | VIT0004504 | M 4 NUT | |
| 40/a | 0090002109 | 24V D.C. GEAR MOTOR 24 R.P.M. | |
| 40/b | 0090002114R | 24V D.C. GEAR MOTOR 24 R.P.M. | |
| 41 | 0380010421 | GEAR MOTOR SHAFT | |
| 42 | 0180011544 | Z.30 PINION WITH SQUARE SEAT | |
| 43 | 0180011553 | GEAR MOTOR SPACER | |
| 44 | VIT0000015 | M 4x25 TCB SCREW | |
| 45 | VIT0003103 | WASHER tab D. 4.3 | |
| 46 | VIT0004503 | NUT M 4 | |
| 47 | IMB0001208 | MANUAL HOLDER ENVELOPE | |
| 48 | ELE0001506 | MICROSWITCH 83.131.8-IW3M | |
| 49 | VIT0000024 | M 4x8 TCB SCREW | |
| 50 | VIT0003301 | WASHER D.12 x 4.3 x 1.5 | |
| 51 | | | |
| 52 | 0180011867 | CUPS CHUTE | |
| 53 | 0180009091 | SETTING PLATE | |
| 54 | 0180010018 | WALL-PUSHER HOOK | |
| 55 | 0180010015 | WALL-PUSHER | |
| 56 | SCH0003740 | DC MOTORS FILTER | |
| 100 | 0190006065CL | 24V DC CUPS DISPENSER | assieme |
| 101 | 0180011860CL | CUPS LOADER / DIPENSER ASSEMBLY | assieme |



LUCE - STICKS DISPENSER - OPEN STATION

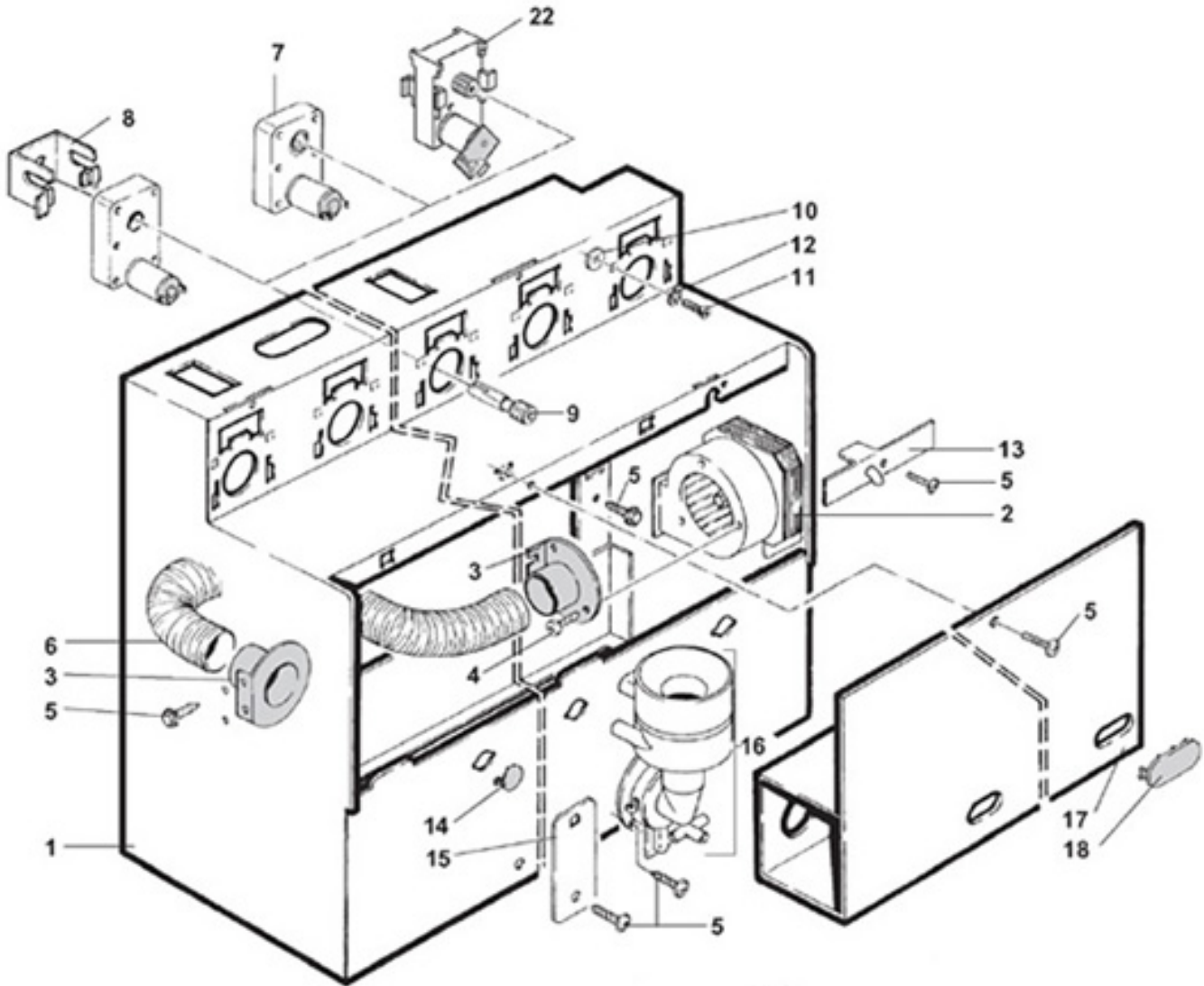
| Pos. | Code | Description | |
|------|--------------|--------------------------------|---------|
| 1/a | 0450009125 | STICKS CONTAINER 89 mm | |
| 1/b | 0450009137 | STICKS CONTAINER 104 mm | |
| 2 | 0450002003 | STICKS DISPENSER | |
| 3 | 0450003010 | RETURN SPRING | |
| 4 | 0450003108 | ELECTROMAGNET CONNECTING ROD | |
| 5 | VIT0002452 | TAPPING SCREW TCB 3.5 x 12 | |
| 6/a | 0450003008 | STICKS DISPENSER PIN 89 mm | |
| 6/b | 0450003032 | STICKS DISPENSER PIN 104 mm | |
| 7 | VIT0006504 | D.5 RADIAL STOP RING | |
| 8 | VIT0005211 | 2.5 x 12 CYLINDRICAL PIN | |
| 9 | ELE0000055 | 24 V DC ELECTROMAGNET | |
| 10 | 0450003106 | ELECTROMAGNET R.H SUPPORT | |
| 11 | 0450003107 | ELECTROMAGNET L.H. SUPPORT | |
| 12 | VIT0003003 | WASHER D.8 x 4.3 x 0.8 | |
| 13 | VIT0003405 | D.4.3 GROWER WASHER | |
| 14 | VIT0000021 | M 4x6 TCB SCREW | |
| 15 | VIT0002401 | TAPPING SCREW TCB 3.5 x 9.5 | |
| 16/a | 0450009126 | STICKS FEEDER 89 mm | |
| 16/b | 0450009138 | STICKS FEEDER 104 mm | |
| 17 | 0450003031 | STICKS DISPENSER SPACER 104 mm | |
| 18/a | 4001012030 | STICK WEIGHT 89 mm | |
| 18/b | 0450003033 | STICK WEIGHT 104 mm | |
| 19 | VIT0000106 | M 4x8 TSP SCREW | |
| 20 | 0450009161 | STICKS CHUTE | |
| 23/a | 0450009140CL | STICKS DISPENSER 89 mm | assieme |
| 23/b | 0450009150CL | STICKS DISPENSER 104 mm | assieme |



LUCE - STICKS DISPENSER - CLOSE STATION

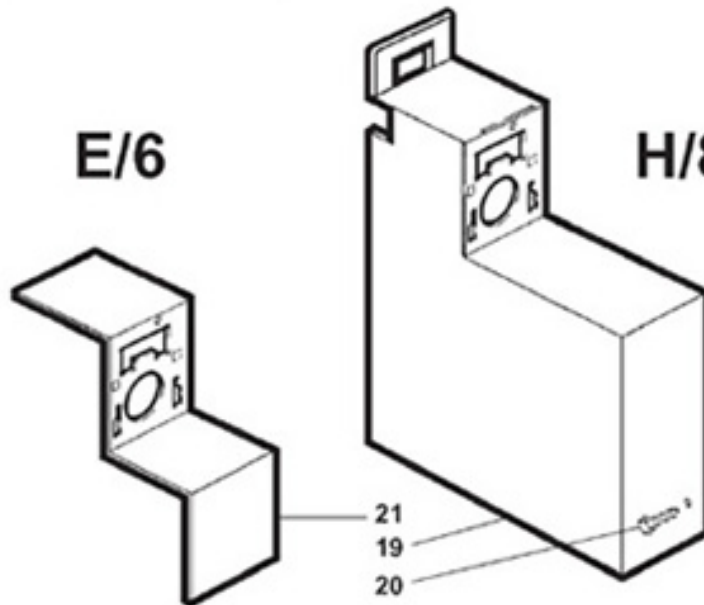
| Pos. | Code | Description |
|------|--------------|--|
| 1/a | 0450009125 | STICKS CONTAINER 89 mm |
| 1/b | 0450009137 | STICKS CONTAINER 104 mm |
| 2 | 0450002003 | STICKS DISPENSER |
| 3 | 0450003010 | RETURN SPRING |
| 4 | 0450009141 | ELECTROMAGNET CONNECTING ROD |
| 5 | VIT0002452 | TAPPING SCREW TCB 3.5 x 12 |
| 6/a | 0450003008 | STICKS DISPENSER PIN 89 mm |
| 6/b | 0450003032 | STICKS DISPENSER PIN 104 mm |
| 7 | VIT0006504 | D.5 RADIAL STOP RING |
| 8 | VIT0005211 | 2.5 x 12 CYLINDRICAL PIN |
| 9 | ELE0000055 | 24 V DC ELECTROMAGNET |
| 10 | 0450009139 | ELECTROMAGNET R.H SUPPORT |
| 11 | 0450009140 | ELECTROMAGNET L.H. SUPPORT |
| 12 | VIT0003003 | WASHER D.8 x 4.3 x 0.8 |
| 13 | VIT0003405 | D.4.3 GROWER WASHER |
| 14 | VIT0000021 | M 4x6 TCB SCREW |
| 15 | VIT0002401 | TAPPING SCREW TCB 3.5 x 9.5 |
| 16/a | 0450009126 | STICKS FEEDER 89 mm |
| 16/b | 0450009138 | STICKS FEEDER 104 mm |
| 17 | 0450003031 | STICKS DISPENSER SPACER 104 mm |
| 18/a | 4001012030 | STICK WEIGHT 89 mm |
| 18/b | 0450003033 | STICK WEIGHT 104 mm |
| 19 | VIT0000106 | M 4x8 TSP SCREW |
| 20 | 0450009127 | STICKS CHUTE |
| 23/a | 0450009146CL | STICKS DISPENSER 89 mm (WITHOUT PART. 18-19-20) |
| 23/b | 0450009156CL | STICKS DISPENSER 104 mm (WITHOUT PART. 18-19-20) |

assieme

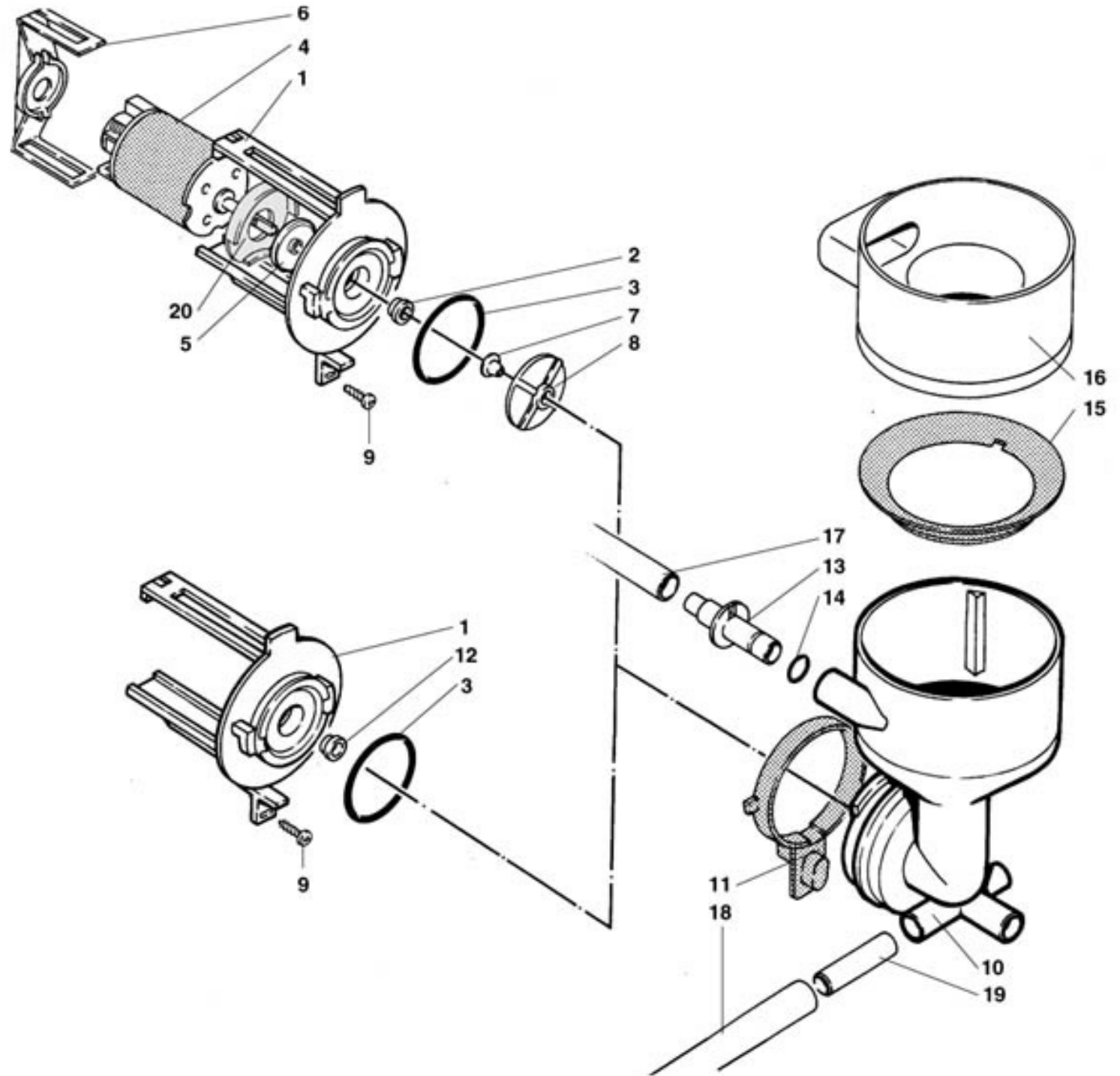


E/6

H/8



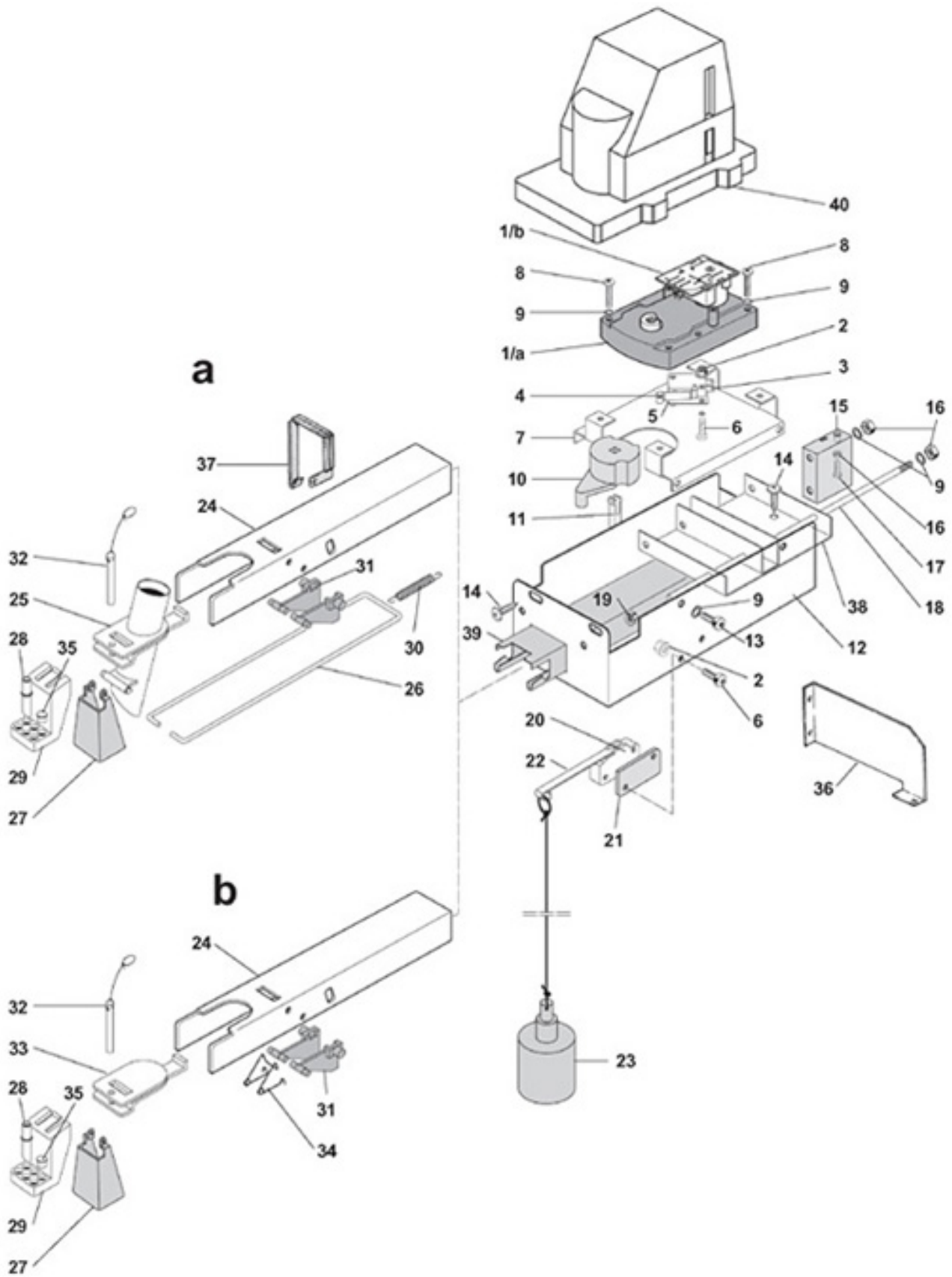
| Pos. | Code | Description |
|------|------------------|------------------------------------|
| 1/a | 0070010700R | 'E' SOLUBLES HOUSING |
| 1/b | 0070010720R | 'H' SOLUBLES HOUSING |
| 2 | ELE0000454 | EXHAUST FAN |
| 3 | 3005101039 | 1-WAY FAN+C1896 COVER |
| 4 | VIT0002002 | 3.5 x 6.5 TCB SCREW |
| 5 | VIT0000030 | SCREW TCB M4 x 7 |
| 6 | TEOL0000003 | D.50 PIPE |
| 7/a | 0090002081 | 24 V DC 85 RPM PRODUCT GEAR MOTOR |
| 7/b | 0090002082 | 24V D.C. 50 RPM PRODUCT GEAR MOTOR |
| 7/c | 0090002093 | 24V D.C. 32 RPM PRODUCT GEAR MOTOR |
| 8 | 0010020031 | GEAR MOTOR SUPPORT |
| 9/a | 0090002111 | Z 18 D.15 SHAFT |
| 9/b | 0230012010 | DRIVING PINION |
| 10 | 0090002079 | GEAR MOTOR SPACER |
| 11 | VIT0000015 | M 4x25 TCB SCREW |
| 12 | VIT0003103 | WASHER tab D. 4.3 |
| 13 | 0240002117 | TEA GROUP WATER INLET PIPE |
| 14 | 0080100035NA | PLUG FOR CONNECTION SEAT |
| 15 | 0010020028NA | MIXER MASK |
| 16 | See table MIXERS | |
| 17/a | 0070010759 | E/5 EXHAUST HOUSING |
| 17/b | 0070010757 | E/5 FBT EXHAUST HOUSING |
| 17/c | 0070010775 | H EXHAUST HOUSING |
| 17/d | 0070010776 | H/FBT EXHAUST HOUSING |
| 18 | 0070010831NA | EXHAUST PLUG |
| 19 | 0070010905 | SUPPORTO MOTOR SHAFT H/8 |
| 20 | VIT0000236 | E.H SCREW M 6 x 11 + FR |
| 21 | 0070010925 | SUPPORTO MOTOR SHAFT E/6 |
| 22 | 0090002113R | 24 V DC 80 RPM PRODUCT GEAR MOTOR |



| Pos. | Code | Description | |
|------|--------------|--|---------|
| 1 | 0080100005 | MIXER BASE | |
| 2 | 0080100015 | MIXER BASE BUSH | |
| 3 | GUA0000084 | OR 3131 | |
| 4 | 0090003023 | 24 V DC MIXER MOTOR SHAFT D.4 | |
| 5 | 0080100024 | DRIP TRAP FAN | |
| 6 | 0080100009 | MOTOR HOUSING CONNECTION | |
| 7 | 0080100014 | MIXER SHAFT GASKET D.4 | |
| 8 | 0080100011 | SMALL FAN MIXER SHAFT D.4 | |
| | 0080100011PL | | |
| 9 | VIT0002401 | TAPPING SCREW TCB 3.5 x 9.5 | |
| 10 | 0080100007 | MIXER BODY WITH INLET | |
| 11 | 0080100006 | STOPPER RING | |
| 12 | 0080100018 | MIXER BASE PLUG | |
| 13 | 0080100013 | MIXER CONNECTION | |
| 14 | GUA0000085 | SILICONE OR 106 | |
| 15 | 0080100022 | MIXER BODY RING | |
| 16 | 0080100021 | EXHAUST BODY | |
| 17 | TSIL07/11T | TRANSPARENT SILICONE PIPE D.7 x 11 | |
| 18 | TSIL06/09T | TRANSPARENT SILICONE PIPE D.6 x 9 | |
| 19 | 0080027029 | REDUCTION FOR CAFFEINE-FREE COFFE | |
| 20 | 0080100023 | MIXER COVER | |
| 100 | 0080100005R | MIXER MOTOR ADAPTATION KIT (pos. 7+8+11+13+14+15+16) | assieme |
| 101 | 0080100007R | MIXER BODY + RING STOPPER (pos.10+11) | assieme |

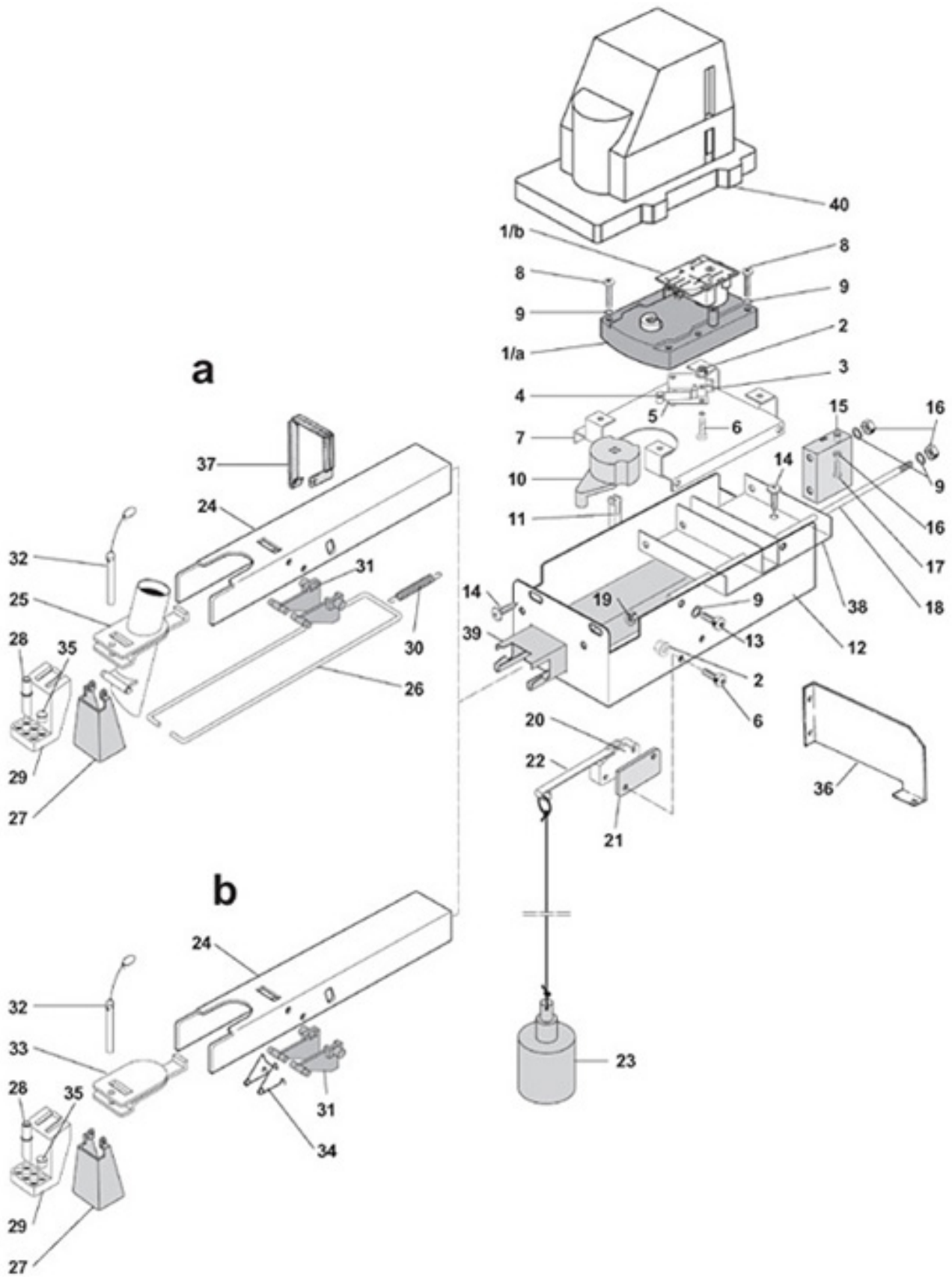
LUCE - DISTRIBUTION PIPES MOVEMENT

| Pos. | Code | Description | |
|------|--------------|---|---------|
| 1 | 0090002110R | 24 V DC 24 RPM GEAR MOTOR + BRAKE WITH FILTER | |
| 1/a | 0090002109 | 24V D.C. GEAR MOTOR 24 R.P.M. | |
| 1/b | SCH0004980 | DC MOTORS FILTER | |
| 2 | VIT0004701 | M3 FR NUT | |
| 3 | ELE0001528 | MICRO 83.161.832 | |
| 4 | ELE0001906 | 161 E R 24.1 MICRO LEVER | |
| 5 | 7500902054 | SUPPLEMENTARY INSULATION | |
| 6 | VIT0000006 | M 3x16 TCB SCREW | |
| 7 | 0380010436 | GEAR MOTOR SUPPORT | |
| 8 | VIT0000015 | M 4x25 TCB SCREW | |
| 9 | VIT0003103 | WASHER tab D. 4.3 | |
| 10 | 0380010508 | GEAR MOTOR CAM mm 36 | |
| 11 | 0380010421 | GEAR MOTOR SHAFT | |
| 12 | 0380010550 | PIPES MOVEMENT HOUSING | |
| 13 | VIT0002401 | TAPPING SCREW TCB 3.5 x 9.5 | |
| 14 | 0380010611 | PRODUCT PIPES SUPPORT | |
| 15 | 0380010608 | PIPES MOVEMENT SUPPORT | |
| 16 | 0380010607 | PIPES MOVEMENT SETTING | |
| 17 | VIT0000014 | M 4x16 TCB SCREW | |
| 18 | 0380011229 | SUGAR CHUTE | |
| 19 | 0380010612 | WALL OPENING CONNECTION | |
| 20 | 0380010459 | PIPES SUPPORT PLATE | |
| 21 | 0380010424 | MOBILE WALL | |
| 22/a | 0380010555 | COFFEE PIPE | |
| 22/b | 0380010476 | PRODUCT PIPE | |
| 22/c | 0380010657NA | DISPENSER | |
| 23 | 0380010656NA | | |
| 24/a | 0380010425 | PRODUCT PIPES SUPPORT / 6 | |
| 24/b | 0380010655R | PRODUCT PIPES SUPPORT WITH HOLE | |
| 25 | 0380010579 | HOSE CLAMP | |
| 26 | 0380010431 | MOBILE WALL SPRING | |
| 27 | 0380010531 | PIPES SUPPORT GUIDE | |
| 28 | 0380010411 | PIPES SUPPORT GUIDE SHAFT | |
| 29 | 0380010534 | PIPES SUPPORT GUIDE BUSH | |
| 30 | VIT0004503 | NUT M 4 | |
| 31 | 4600010014 | MICRO SPACER | |
| 32 | ELE0001522 | 1-WAY 16 A 250 V MICROSWITCH | |
| 33 | NL201106265 | MICRO LEVER | |
| 34 | 0070003022 | FLOATER ASSEMBLY | |
| 35 | 0380010429CL | SECURING PIN ASSEMBLY | |
| 100 | 0380010580CL | LUCE E PIPES MOVEMENT WITH SUGAR RELEASE | assieme |
| 101 | 0380010590CL | LUCE H PIPES MOVEMENT WO/SUGAR RELEASE | assieme |



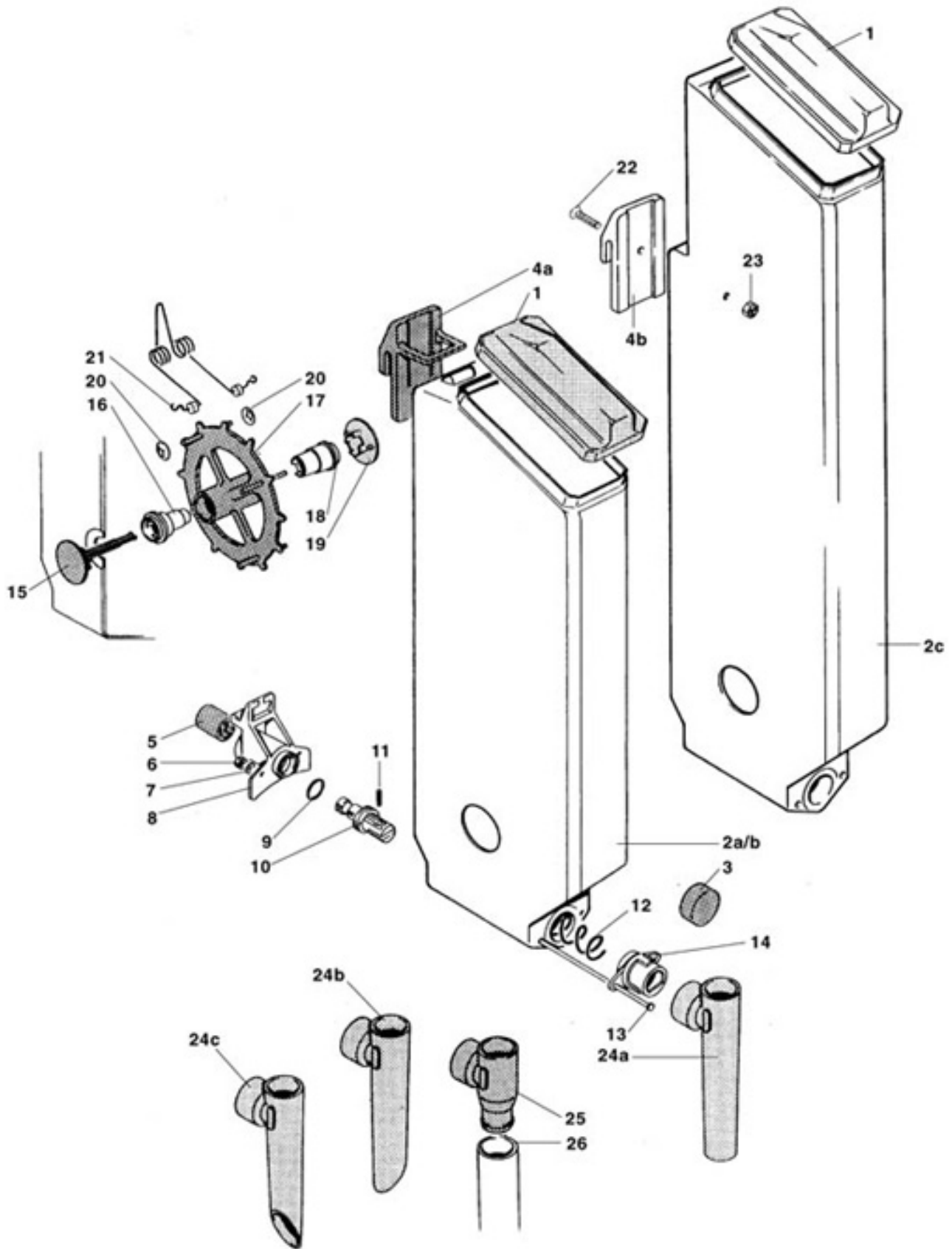
LUCE - DISTRIBUTION PIPES MOVEMENT OPEN STATION

| Pos. | Code | Description | |
|------|--------------|--|---------|
| 1 | 0090002110R | 24 V DC 24 RPM GEAR MOTOR + BRAKE WITH FILTER FOR OLD ELECTRONIC VERSION | |
| 1/a | 0090002109 | 24V D.C. GEAR MOTOR 24 R.P.M. FOR OLD ELECTRONIC VERSION | |
| 1/b | SCH0004980 | DC MOTORS FILTER FOR OLD ELECTRONIC VERSION | |
| 1 | 0090002115R | 24V D.C. GEAR MOTOR 24 R.P.M. FOR NEW ELECTRONIC VERSION | |
| 1/c | 0090002114 | GEAR MOTOR MOD.930 11RPM 24V DC FOR NEW ELECTRONIC VERSION | |
| 1/d | SCH0004980 | DC MOTORS FILTER FOR NEW ELECTRONIC VERSION | |
| 2 | VIT0004701 | M3 FR NUT FOR NEW ELECTRONIC VERSION | |
| 3 | ELE0001528 | MICRO 83.161.832 FOR NEW ELECTRONIC VERSION | |
| 4 | ELE0001906 | 161 E R 24.1 MICRO LEVER FOR NEW ELECTRONIC VERSION | |
| 5 | 7500902054 | SUPPLEMENTARY INSULATION FOR NEW ELECTRONIC VERSION | |
| 6 | VIT0000006 | M 3x16 TCB SCREW FOR NEW ELECTRONIC VERSION | |
| 7 | 0380010436 | GEAR MOTOR SUPPORT FOR NEW ELECTRONIC VERSION | |
| 8 | VIT0000015 | M 4x25 TCB SCREW FOR NEW ELECTRONIC VERSION | |
| 9 | VIT0003103 | WASHER tab D. 4.3 FOR NEW ELECTRONIC VERSION | |
| 10 | 0380010508 | GEAR MOTOR CAM mm 36 FOR NEW ELECTRONIC VERSION | |
| 11 | 0380010421 | GEAR MOTOR SHAFT FOR NEW ELECTRONIC VERSION | |
| 12 | 0380010615 | PIPES MOVEMENT FOR NEW ELECTRONIC VERSION | |
| 13 | VIT0002009 | TAPPING SCREW T.C.B. 3.5 x 6.5 FOR NEW ELECTRONIC VERSION | |
| 14 | VIT0002401 | TAPPING SCREW TCB 3.5 x 9.5 FOR NEW ELECTRONIC VERSION | |
| 15 | 0380010607 | PIPES MOVEMENT SETTING FOR NEW ELECTRONIC VERSION | |
| 16 | VIT0004503 | NUT M 4 FOR NEW ELECTRONIC VERSION | |
| 17 | VIT0000014 | M 4x16 TCB SCREW FOR NEW ELECTRONIC VERSION | |
| 18 | 0380010411 | PIPES SUPPORT GUIDE SHAFT FOR NEW ELECTRONIC VERSION | |
| 19 | 0380010534 | PIPES SUPPORT GUIDE BUSH FOR NEW ELECTRONIC VERSION | |
| 20 | ELE0001522 | 1-WAY 16 A 250 V MICROSWITCH FOR NEW ELECTRONIC VERSION | |
| 21 | 4600010014 | MICRO SPACER FOR NEW ELECTRONIC VERSION | |
| 22 | NL201106265 | MICRO LEVER FOR NEW ELECTRONIC VERSION | |
| 23 | 0070003022 | FLOATER ASSEMBLY FOR NEW ELECTRONIC VERSION | |
| 24 | 0380010616 | PRODUCT PIPES SUPPORT ESTRAIBILE FOR NEW ELECTRONIC VERSION | |
| 25 | 0380011229 | SUGAR CHUTE FOR NEW ELECTRONIC VERSION | |
| 26 | 0380010612 | WALL OPENING CONNECTION FOR NEW ELECTRONIC VERSION | |
| 27 | 0380010424 | MOBILE WALL FOR NEW ELECTRONIC VERSION | |
| 28 | 0380010657NA | DISPENSER FOR NEW ELECTRONIC VERSION | |
| 29 | 0380010655R | PRODUCT PIPES SUPPORT WITH HOLE FOR NEW ELECTRONIC VERSION | |
| 30 | 0380010431 | MOBILE WALL SPRING FOR NEW ELECTRONIC VERSION | |
| 31 | 0380010599 | KEY PIPES MOVEMENT FOR NEW ELECTRONIC VERSION | |
| 32 | 0380010429CL | SECURING PIN ASSEMBLY FOR NEW ELECTRONIC VERSION | |
| 33 | 0380010459 | PIPES SUPPORT PLATE FOR NEW ELECTRONIC VERSION | |
| 34 | 0380010629 | KEY PIPES MOVEMENT FOR NEW ELECTRONIC VERSION | |
| 35 | 0380010656NA | FOR NEW ELECTRONIC VERSION | |
| 36 | 0380010608 | PIPES MOVEMENT SUPPORT FOR NEW ELECTRONIC VERSION | |
| 37 | 0380010579 | HOSE CLAMP FOR NEW ELECTRONIC VERSION | |
| 38 | 0380010531 | PIPES SUPPORT GUIDE FOR NEW ELECTRONIC VERSION | |
| 39 | 0380010623 | PIPES SUPPORT GUIDE FOR NEW ELECTRONIC VERSION | |
| 40 | 0380010632NA | PIPES MOVEMENT PROTECTION FOR NEW ELECTRONIC VERSION | |
| 100 | 0380010583CL | PIPES MOVEMENT ESTRAIBILE LUCE E FOR NEW ELECTRONIC VERSION | assieme |
| 101 | 0380010593CL | PIPES MOVEMENT ESTRAIBILE LUCE H FOR NEW ELECTRONIC VERSION | assieme |
| 102 | 0380010602CL | PIPES MOVEMENT ESTRAIBILE LUCE E N.E. FOR NEW ELECTRONIC VERSION | assieme |
| 103 | 0380010599CL | PIPES MOVEMENT ESTRAIBILE LUCE H N.E. FOR NEW ELECTRONIC VERSION | assieme |

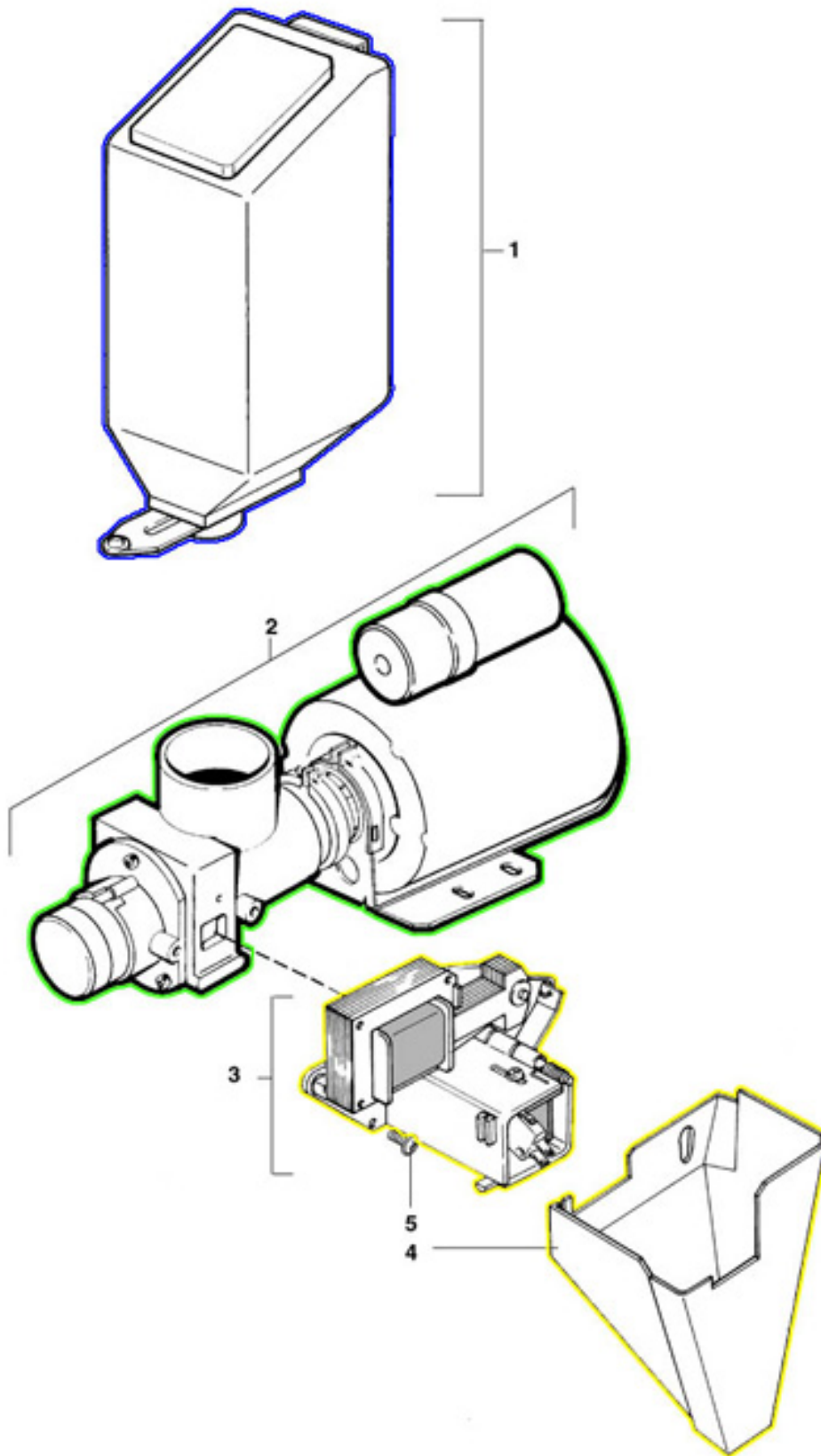


LUCE - DISTRIBUTION PIPES MOVEMENT CLOSED STATION

| Pos. | Code | Description | |
|------|--------------|---|---------|
| 1 | 0090002110R | 24 V DC 24 RPM GEAR MOTOR + BRAKE WITH FILTER FOR OLD ELECTRONIC VERSION | |
| 1/a | 0090002109 | 24V D.C. GEAR MOTOR 24 R.P.M. FOR OLD ELECTRONIC VERSION | |
| 1/b | SCH0004980 | DC MOTORS FILTER FOR OLD ELECTRONIC VERSION | |
| 1 | 0090002115R | 24V D.C. GEAR MOTOR 24 R.P.M. FOR NEW ELECTRONIC VERSION | |
| 1/c | 0090002114 | GEAR MOTOR MOD.930 11RPM 24V DC FOR NEW ELECTRONIC VERSION | |
| 1/d | SCH0004980 | DC MOTORS FILTER FOR NEW ELECTRONIC VERSION | |
| 2 | VIT0004701 | M3 FR NUT FOR NEW ELECTRONIC VERSION | |
| 3 | ELE0001528 | MICRO 83.161.832 FOR NEW ELECTRONIC VERSION | |
| 4 | ELE0001906 | 161 E R 24.1 MICRO LEVER FOR NEW ELECTRONIC VERSION | |
| 5 | 7500902054 | SUPPLEMENTARY INSULATION FOR NEW ELECTRONIC VERSION | |
| 6 | VIT0000006 | M 3x16 TCB SCREW FOR NEW ELECTRONIC VERSION | |
| 7 | 0380010436 | GEAR MOTOR SUPPORT FOR NEW ELECTRONIC VERSION | |
| 8 | VIT0000015 | M 4x25 TCB SCREW FOR NEW ELECTRONIC VERSION | |
| 9 | VIT0003103 | WASHER tab D. 4.3 FOR NEW ELECTRONIC VERSION | |
| 10 | 0380010508 | GEAR MOTOR CAM mm 36 FOR NEW ELECTRONIC VERSION | |
| 11 | 0380010421 | GEAR MOTOR SHAFT FOR NEW ELECTRONIC VERSION | |
| 12 | 0380010615 | PIPES MOVEMENT FOR NEW ELECTRONIC VERSION | |
| 13 | VIT0002009 | TAPPING SCREW T.C.B. 3.5 x 6.5 FOR NEW ELECTRONIC VERSION | |
| 14 | VIT0002401 | TAPPING SCREW TCB 3.5 x 9.5 FOR NEW ELECTRONIC VERSION | |
| 15 | 0380010607 | PIPES MOVEMENT SETTING FOR NEW ELECTRONIC VERSION | |
| 16 | VIT0004503 | NUT M 4 FOR NEW ELECTRONIC VERSION | |
| 17 | VIT0000030 | SCREW TCB M4 x 7 FOR NEW ELECTRONIC VERSION | |
| 18 | 0380010411 | PIPES SUPPORT GUIDE SHAFT FOR NEW ELECTRONIC VERSION | |
| 19 | 0380010534 | PIPES SUPPORT GUIDE BUSH FOR NEW ELECTRONIC VERSION | |
| 20 | ELE0001522 | 1-WAY 16 A 250 V MICROSWITCH FOR NEW ELECTRONIC VERSION | |
| 21 | 4600010014 | MICRO SPACER FOR NEW ELECTRONIC VERSION | |
| 22 | NL201106265 | MICRO LEVER FOR NEW ELECTRONIC VERSION | |
| 23 | 0070003022 | FLOATER ASSEMBLY FOR NEW ELECTRONIC VERSION | |
| 24 | 0380010598 | PIPE SUPPORT FOR NEW ELECTRONIC VERSION | |
| 25 | 0380011229 | SUGAR CHUTE FOR NEW ELECTRONIC VERSION | |
| 26 | 0380010596 | WALL OPENING CONNECTION FOR NEW ELECTRONIC VERSION | |
| 27 | 0380010424 | MOBILE WALL FOR NEW ELECTRONIC VERSION | |
| 28 | 0380010657NA | DISPENSER FOR NEW ELECTRONIC VERSION | |
| 29 | 0380010655R | PRODUCT PIPES SUPPORT WITH HOLE FOR NEW ELECTRONIC VERSION | |
| 30 | 0380010431 | MOBILE WALL SPRING FOR NEW ELECTRONIC VERSION | |
| 31 | 0380010599 | KEY PIPES MOVEMENT FOR NEW ELECTRONIC VERSION | |
| 32 | 0380010429CL | SECURING PIN ASSEMBLY FOR NEW ELECTRONIC VERSION | |
| 33 | 0380010459 | PIPES SUPPORT PLATE FOR NEW ELECTRONIC VERSION | |
| 34 | 0380010629 | KEY PIPES MOVEMENT FOR NEW ELECTRONIC VERSION | |
| 35 | 0380010656NA | FOR NEW ELECTRONIC VERSION | |
| 36 | 0380010608 | PIPES MOVEMENT SUPPORT FOR NEW ELECTRONIC VERSION | |
| 37 | 0380010579 | HOSE CLAMP FOR NEW ELECTRONIC VERSION | |
| 38 | 0380010531 | PIPES SUPPORT GUIDE FOR NEW ELECTRONIC VERSION | |
| 39 | 0380010623 | PIPES SUPPORT GUIDE FOR NEW ELECTRONIC VERSION | |
| 40 | 0380010632NA | PIPES MOVEMENT PROTECTION FOR NEW ELECTRONIC VERSION | |
| 100 | 0380010586CL | EUROPA II E PIPES MOVEMENT ASSEMBLED FOR NEW ELECTRONIC VERSION | assieme |
| 101 | 0380010596CL | EUROPA II H PIPES MOVEMENT ASSEMBLED FOR NEW ELECTRONIC VERSION | assieme |
| 102 | 0380010600CL | LUCE E PIPES MOVEMENT W/SUGAR RELEASE (for new electronic version) FOR NEW ELECTRONIC VERSION | assieme |
| 103 | 0380010601CL | LUCE H PIPES MOVEMENT W/SUGAR RELEASE (for new electronic version) FOR NEW ELECTRONIC VERSION | assieme |

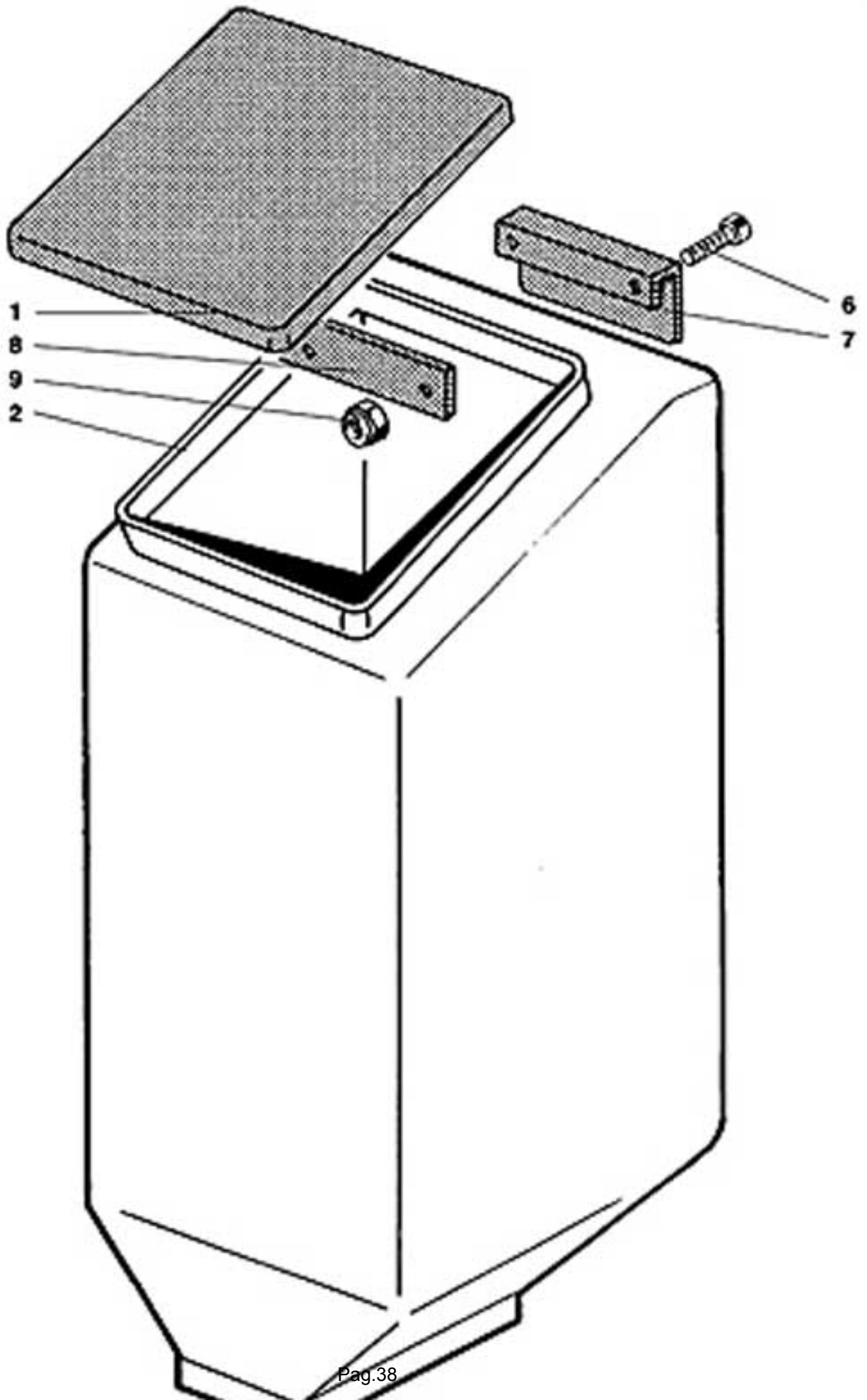


| Pos. | Code | Description | |
|------|---------------|--|---------|
| 1 | 70003002 | COINTAINER COVER | |
| 2/a | 70003001A | POLYETHYLENE CONTAINER WITH HOLES | |
| 2/b | 70003001B | POLYETHYLENE CONTAINER WITHOUT HOLES | |
| 2/c | 0230008003 | POLYETHYLENE CONTAINER WITH H.650 HOLES | |
| 3 | 4002050109AD | PRODUCT CHUTE PLUG | |
| 4/a | 70003003 | UPPER HOOKING PLATE | |
| 4/b | 0230012018 | UPPER PLATE | |
| 5 | 0230012012 | DRIVING RING GEAR SQUARE SEAT | |
| 6 | VIT0004803 | STAINLESS STEEL NUT M4 | |
| 7 | VIT0003202 | STAINLESS STEEL FLAT WASHER D.4,3 x 9 x 0,8 | |
| 8 | 70003006 | REAR SUPPORTING BUSH | |
| 9 | GUA0000015 | 119 OR | |
| 10 | 0230012006 | WORM SCREW WITH FLANGE | |
| 11 | VIT0005301 | ELASTIC PIN D.2 x 14 | |
| 12/a | 70003016 | P.18 WORM SCREW SPRING | |
| 12/b | 0230024009 | WORM SCREW SPRING P.9 | |
| 13 | 70003010 | BUSH TIE-BOLT | |
| 14/a | 70003008 | FRONT BUSH | |
| 14/b | 70003007 | FRONT BUSH | |
| 15 | 70003028 | STOP PIN | |
| 16 | 70003027 | MIXER MALE BUSH | |
| 17 | 70003012 | PLASTIC MIXER GEAR | |
| 18 | 70003026 | MIXER FEMALE BUSH | |
| 19 | 70003029 | STOP DISK | |
| 20 | VIT0007102 | BENZING-QUICKLOCK | |
| 21 | 11837 | MIXER | |
| 22 | VIT0001205 | M 4x12 TSP SCREW | |
| 23 | VIT0004810 | M 4 SELFLOCKING NUT | |
| 24/a | 4001003072/20 | STRAIGHT PRODUCT CHUTE mm 125 | |
| 24/b | 4001003072/22 | L.H. PRODUCT CHUTE mm 155 | |
| 24/c | 4001003072/21 | R.H. PRODUCT CHUTE mm 155 | |
| 25 | 0230016024 | SUGAR FEEDER | |
| 26 | TSIL14/20T | D.10x14 NATURAL TRANSPARENT SILICONE PIPE | |
| 100 | 0230016005CL | (**)WORM SCREW P.18 PRODUCT CONTAINER ASSEMBLY | assieme |
| 101 | 0230017007CL | PRODUCT CONTAINER PLATIC WHEEL P.9 ASS. | assieme |
| 102 | 0230017008CL | PRODUCT CONTAINER PLATIC WHEEL P.18 ASSEM. | assieme |
| 103 | 0230018009CL | ROBO MIXER PRODUCT CONTAINER P.18 ASSEM. | assieme |
| 104 | 0230019005CL | TEA PRODUCT CONTAINER PLATIC WHEEL P.9 ASSEM. | assieme |
| 105 | 0230019006CL | TEA PRODUCT CONTAINER PLATIC WHEEL P.18 ASSEM. | assieme |
| 106 | 0230012012R | DRIVING RING GEAR - WORM SCREW PIN W/FLANGE ASSEMBLY | assieme |



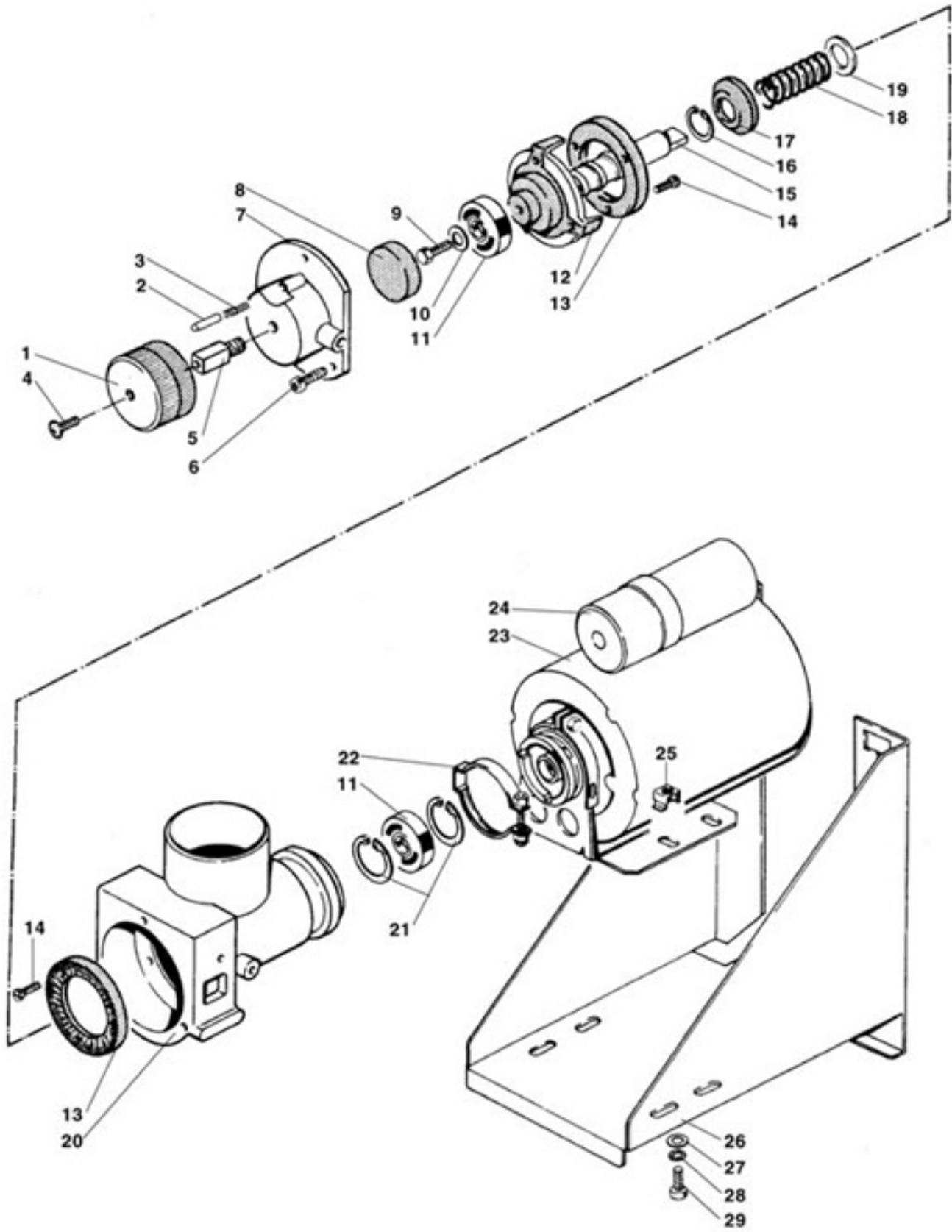
LUCE - CONTAINER BATCHER GRINDER GROUP

| Pos. | Code | Description |
|------|------------|------------------------------------|
| 1 | | See table COFFEE BEANS CONTAINER |
| 2 | | See table HORIZONTAL GRINDER GROUP |
| 3 | | See table ALUMINIUM BATCHER GROUP |
| 4/a | 0320005056 | MICRO COFFEE GROUP CHUTE |
| 4/b | 0320005061 | MICRO COFFEE GROUP CHUTE |
| 5 | VIT0000012 | SCREW T.C.B. M 4 x 10 |

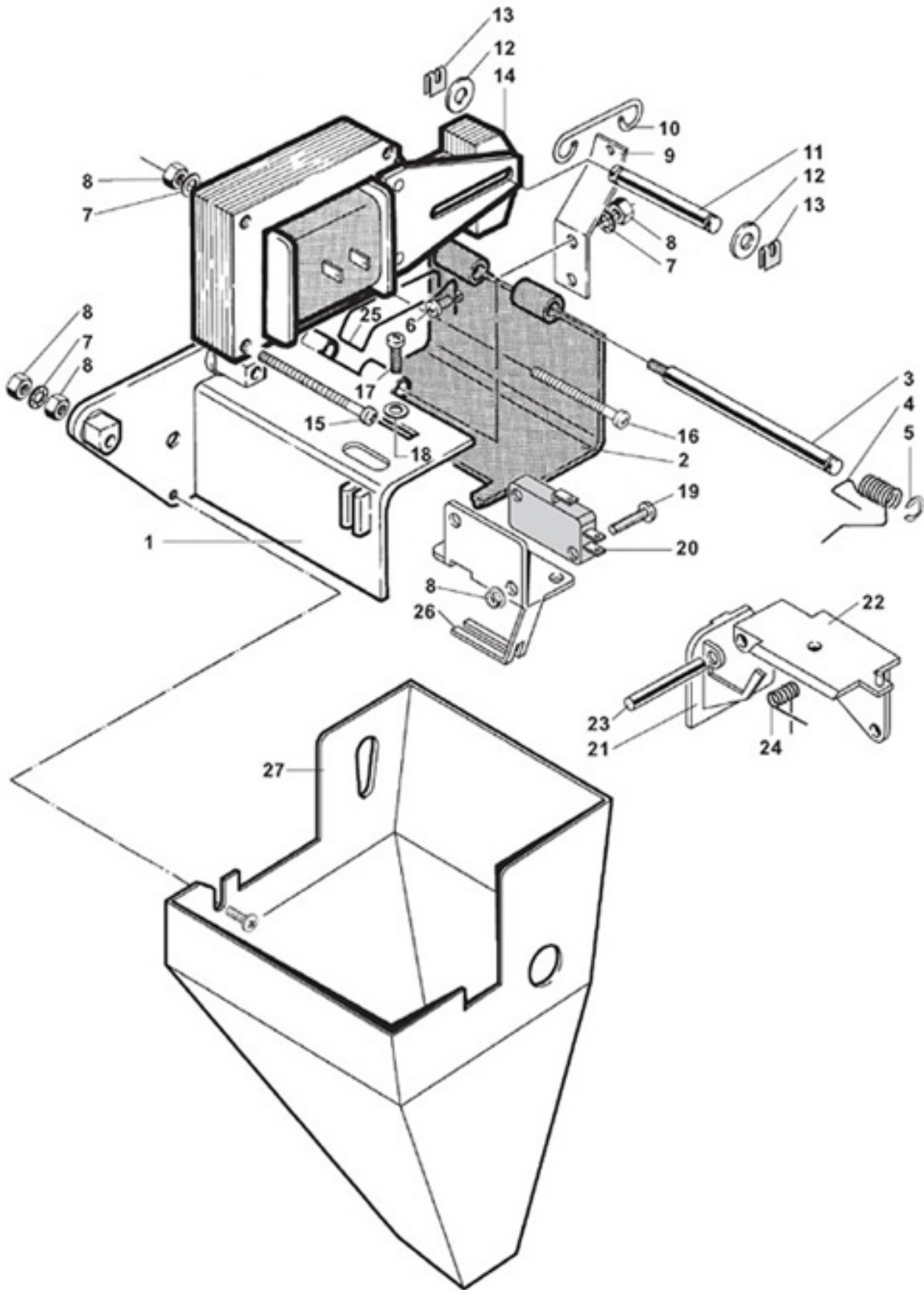


LUCE - COFFEE BEANS CONTAINER

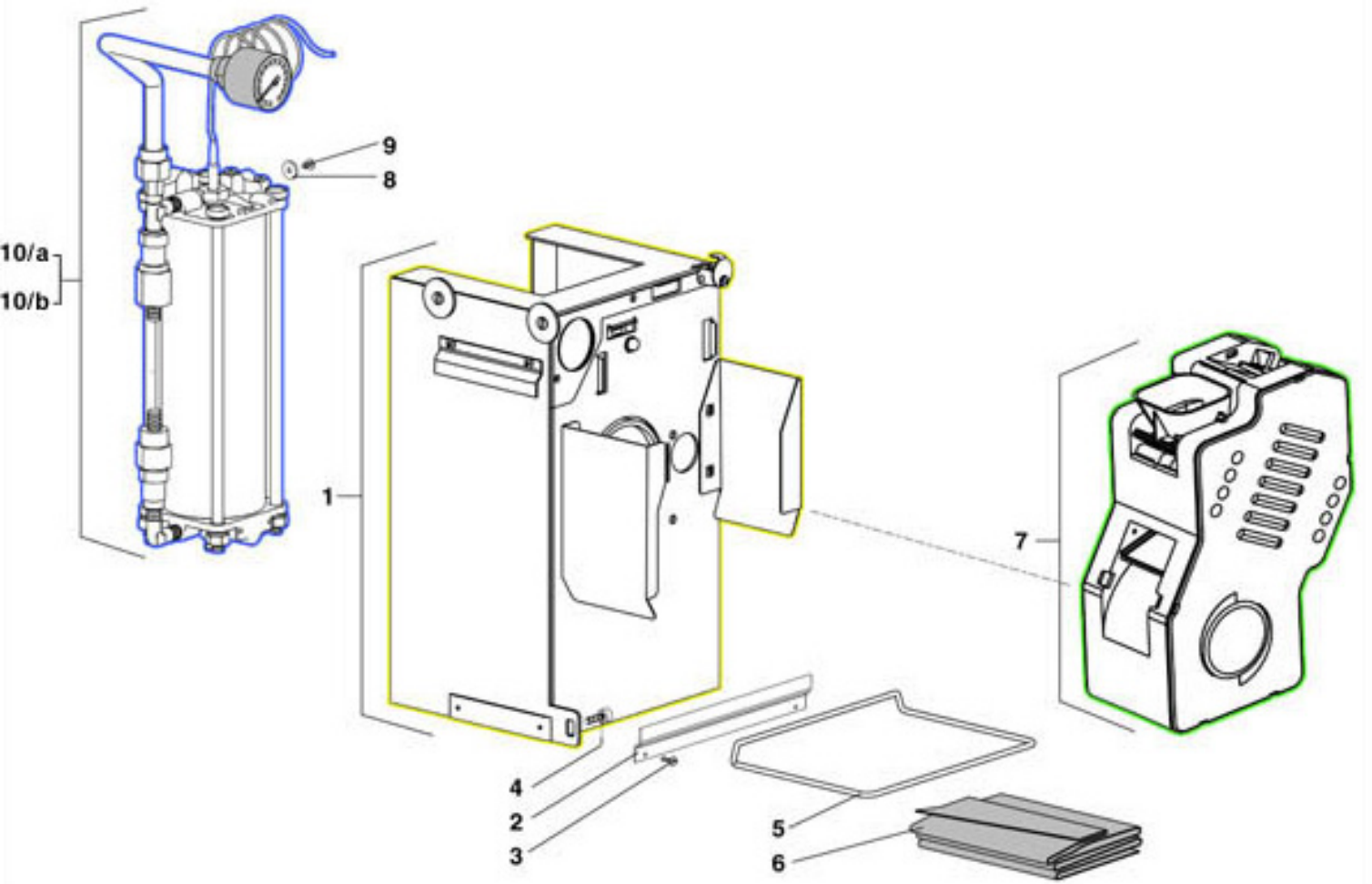
| Pos. | Code | Description | |
|------|-------------|---|---------|
| 1 | 0230015057 | COFFEE LITTLE CONTAINER COVER | |
| 2 | 0230015052 | COFFEE CONTAINER | |
| 3 | 4001002077 | COFFEE CONTAINER BLADE | |
| 4 | 0230015035 | COFFEE CONTAINER BOTTOM | |
| 5 | VIT0002104 | 2.9x 13 STAINLESS STEEL TAPPING TCB SCREW | |
| 6 | VIT0005510 | 4x16 TCEI SCREW | |
| 7 | 0230015036 | COFFEE CONTAINER CONNECTION | |
| 8 | 0230015037 | STIFFENING | |
| 9 | VIT0004810 | M 4 SELFLOCKING NUT | |
| 100 | 0230015050R | EU COFFEE BEANS CONTAINER GROUP | assieme |



| Pos. | Code | Description | |
|------|--------------|-----------------------------------|---------|
| 1 | 320000053 | SETTING KNOB | |
| 2 | 320000041 | GRINDING SETTING PIN | |
| 3 | 4001002141 | GRINDING SETTING SRING | |
| 4 | VIT0000012 | SCREW T.C.B. M 4 x 10 | |
| 5 | 320000052 | SETTING PIN | |
| 6 | VIT0005508 | 4x12 TCEI SCREW | |
| 7 | 320000119 | FLANGE | |
| 8 | 320000032 | BEARING PUSHER | |
| 9 | 320000010 | L.H. BOLT | |
| 10 | 320000029 | GRINDER WASHER | |
| 11 | VIT0009301 | ZKL BEARING | |
| 12 | 320000025 | GRINDER SUPPORT | |
| 13 | 0090003004 | 53/S GRINDER COUPLE | |
| 14 | VIT0000024 | M 4x8 TCB SCREW | |
| 15 | 320000008 | R.H. WORM SCREW | |
| 16 | VIT0006651 | D.17 RADIAL STOP RING FOR SHAFT | |
| 17 | 320000016 | SPRING PUSHER | |
| 18 | 320000015 | COMPENSATION SPRING | |
| 19 | 320000014 | SPACER | |
| 20 | 320000101 | GRINDER BODY | |
| 21 | VIT0006602 | D.35 RADIAL STOP RING FOR HOLE | |
| 22 | FASC000401 | PUMP+SCREW CLIP | |
| 23 | 0090003003 | HORIZONTAL MILL 220 V 50 HZ MOTOR | |
| 24 | ELE0009054 | 12.5 mf GRINDER MOTOR CONDENSER | |
| 25 | VIT0009106 | M 5 NUT IN RETAINER | |
| 26 | 0010018121 | MILL MOTOR SUPPORT | |
| 27 | VIT0003302 | 5.5x12x1.5 FLAT WASHER | |
| 28 | VIT0003104 | WASHER tab D. 5.1 | |
| 29 | VIT0000209 | M 5*14 H.H. SCREW | |
| 100 | 0320001001CL | GRINDER GROUP (Pos. 1 to 21) | assieme |

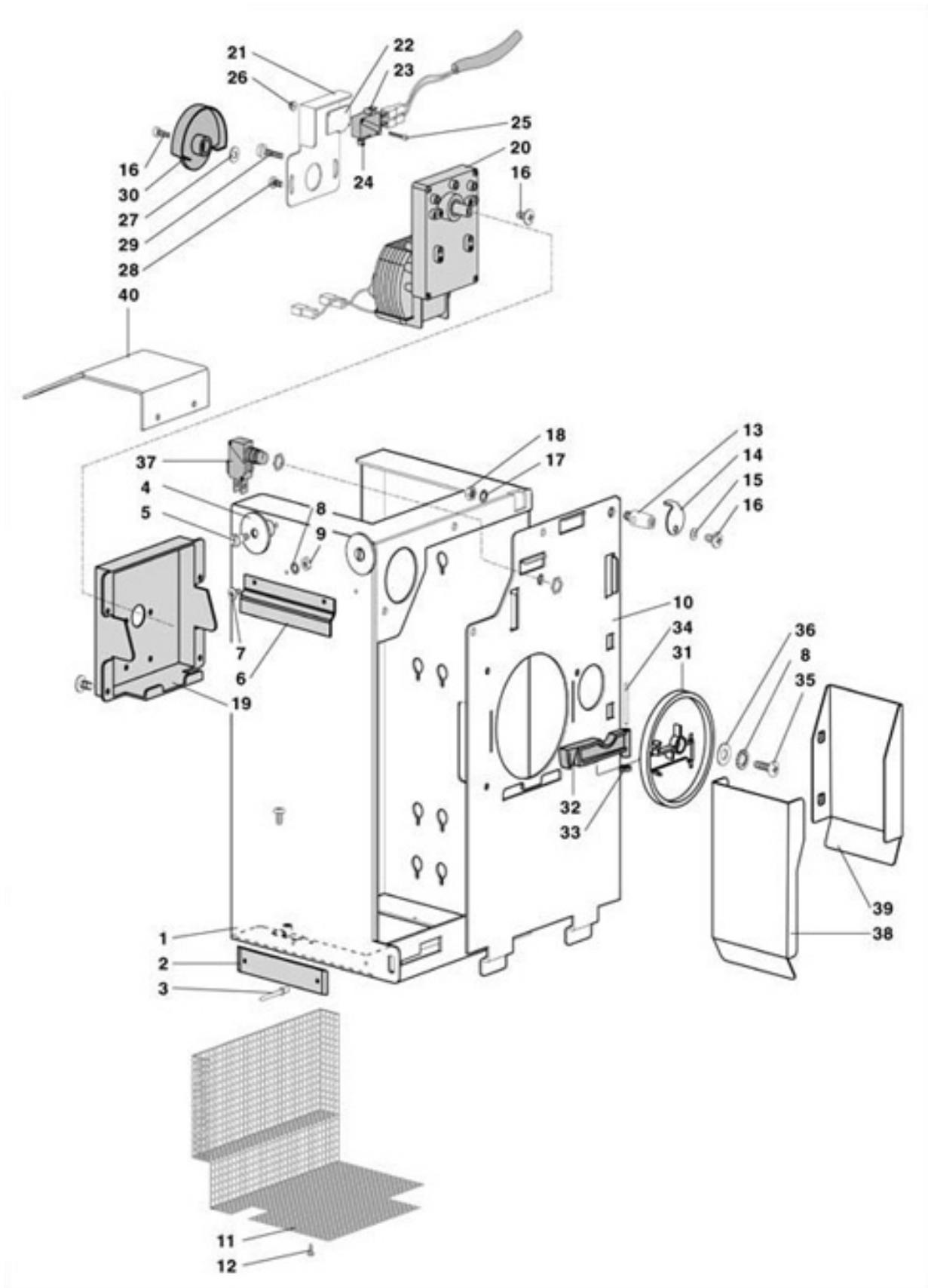


| Pos. | Code | Description | |
|------|--------------|---|---------|
| 1 | 4001002094 | BATCHER BODY | |
| 2 | 4001002060 | MOBILE WALL | |
| 3 | 4001002063 | BATCHER SHAFT | |
| 4 | 4001002066 | SHAFT SPRING | |
| 5 | VIT0006502 | D.3.2 RADIAL STOP RING | |
| 6 | VIT0000102 | M 3x10 TSP SCREW | |
| 7 | VIT0003102 | WASHER tab D. 3.2 | |
| 8 | VIT0004701 | M3 FR NUT | |
| 9 | 0350001105 | BATCHER LEVER | |
| 10 | 0350001106 | DRIVING RING | |
| 11 | 4001002095 | ELECTROMAGNET FULCRUM PIN | |
| 12 | VIT0003202 | STAINLESS STEEL FLAT WASHER D.4,3 x 9 x 0,8 | |
| 13 | VIT0006701 | D.2.3 RADIAL STOP RING | |
| 14 | ELE0000060 | 24V 50 HZ ELECTROMAGNET | |
| 15 | VIT0001108 | M 3x30 TCB SCREW | |
| 16 | VIT0000008 | M 3x25 TCB SCREW | |
| 17 | VIT0000003 | M 3x8 TCB SCREW | |
| 18 | VIT0003002 | D.3.2x7x0.5 WASHER | |
| 19 | VIT0000006 | M 3x16 TCB SCREW | |
| 20 | ELE0001525 | 1-WAY GOLD-PLATED CONTACT MICRO | |
| 21 | 4001002092 | BATCHER PLATE | |
| 22 | 4001002091 | PLATE SUPPORT W/BUSH | |
| 23 | 4001002084 | PLATE PIN | |
| 24 | 350000011 | PLATE SPRING | |
| 25 | 4001002068 | MOBILE WALL SPRING | |
| 26 | 4001002093 | MICRO SWITCH SUPPROT | |
| 27/a | 0320005056 | MICRO COFFEE GROUP CHUTE | |
| 27/b | 0320005061 | MICRO COFFEE GROUP CHUTE | |
| 100 | 0350002001CL | COFFEE BATCHER GROUP | assieme |
| 101 | 0350001105R | BATCHER LEVER-DRIVING RING ASSEMBLY | assieme |
| 102 | 0350001105R | BATCHER LEVER-DRIVING RING ASSEMBLY | assieme |
| 103 | ELE0000060R | NT3 ELECTROMAGNET + PIN | assieme |

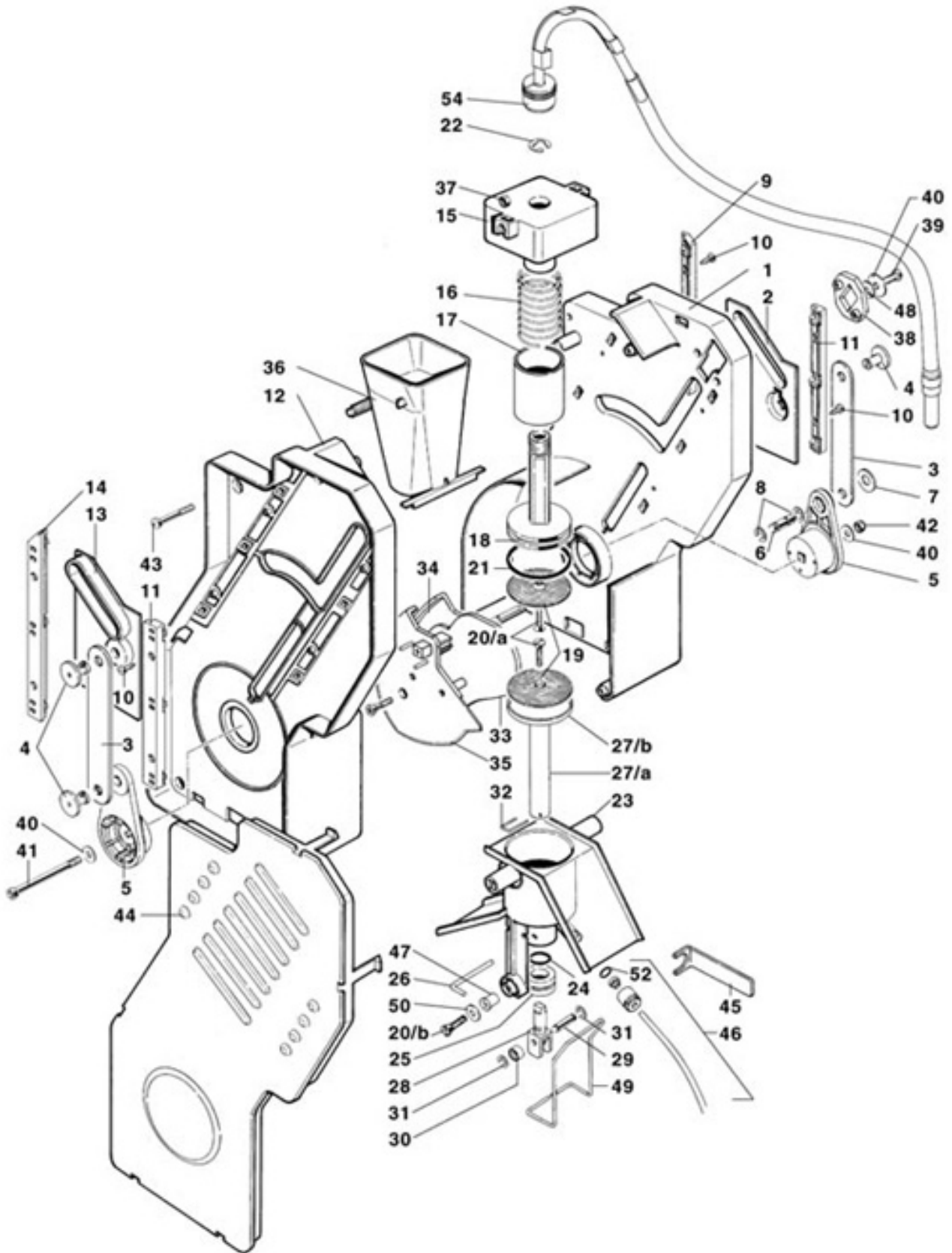


LUCE - BOILER - MICRO COFFEE GROUP HOUSING

| Pos. | Code | Description |
|------|------------|-------------------------------|
| 1 | See table | MICRO COFFEE GROUP HOUSING |
| 2 | 0260005022 | BAG SUPPORT PLATE |
| 3 | VIT0002401 | TAPPING SCREW TCB 3.5 x 9.5 |
| 4 | VIT0000236 | E.H SCREW M 6 x 11 + FR |
| 5 | 0260005021 | GROUNDS BAG SUPPORT |
| 6 | IMB0000051 | COFFEE GROUNDS BAG |
| 7 | See table | MICRO COFFEE GROUP |
| 8 | 1600001098 | SYNTHETIC RUBBER D.4.5 SPACER |
| 9 | VIT0000030 | SCREW TCB M4 x 7 |
| 10/a | See table | MM 195 MICRO GROUP BOILER |
| 10/b | See table | MM 150 MICRO GROUP BOILER |

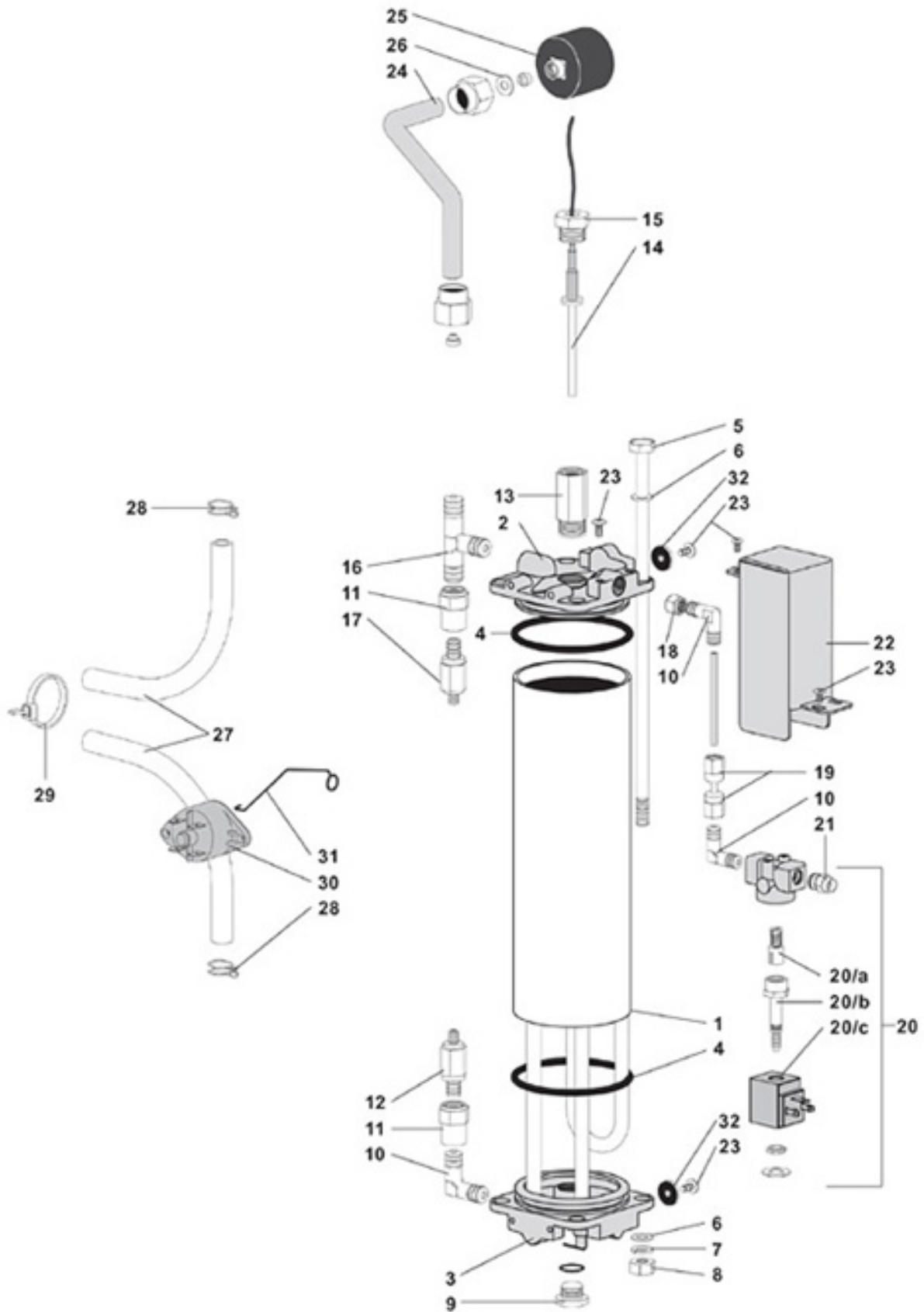


| Pos. | Code | Description |
|------|-------------|--|
| 1 | 0260010155 | MICRO GROUP BOILER SUPPORT |
| 2 | 2500002005 | SHOE |
| 3 | VIT0007025 | M 3 x 7 COPPER RIVET |
| 4 | 2500002003 | GROUP SUPPORT ROLL |
| 5 | 0260003014 | ROLL PIN |
| 6 | 0260005006 | PLASTIC GROUP HOUSING GUIDE |
| 7 | VIT0000012 | SCREW T.C.B. M 4 x 10 |
| 8 | VIT0003103 | WASHER tab D. 4.3 |
| 9 | VIT0004503 | NUT M 4 |
| 10 | 0260010157 | FRONT SUPPORT |
| 11 | 0260010118 | PROTECTION |
| 12 | VIT0002401 | TAPPING SCREW TCB 3.5 x 9.5 |
| 13 | 0260010103 | MICRO GROUP HOOKING BLOCK |
| 14 | 0260010104 | STOP DISK |
| 15 | VIT0003301 | WASHER D.12 x 4.3 x 1.5 |
| 16 | VIT0000030 | SCREW TCB M4 x 7 |
| 17 | VIT0003105 | WASHER tab D. 6.4 |
| 18 | VIT0004505 | NUT M6 |
| 19 | 0260010102 | MICRO GROUP MOTOR SUPPORT |
| 20 | 0090002182 | MICRO GROUP MOTOR |
| 21 | 0250008093 | MICRO PLATE |
| 22 | 4600010014 | MICRO SPACER |
| 23 | ELE0001510 | 1 WAY 0.1 A 250 V MICROSWITCH |
| 24 | ELE0001904 | MICRO LEVER |
| 25 | VIT0000007 | M 3x20 TCB SCREW |
| 26 | VIT0004701 | M3 FR NUT |
| 27 | 0250008091 | MICRO SPACER |
| 28 | 0250008092 | M4 SPECIAL SCREW |
| 29 | VIT0005521 | 4x25 TCEI SCREW |
| 30 | 0250008043 | GROUP READER DISK |
| 31 | 0250008012 | MOTOR CRANK |
| 32 | 0250008034 | HOOKING LEVER |
| 33 | 0250008059 | SPRING FOR HOOKING LEVER |
| 34 | VIT0005205 | 4 x 40 CYLINDRICAL PIN |
| 35 | VIT0005508 | 4x12 TCEI SCREW |
| 36 | VIT0003003 | WASHER D.8 x 4.3 x 0.8 |
| 37 | ELE0001506 | MICROSWITCH 83.131.8-IW3M |
| 38 | 0260010207 | COFFEE POWDERS CHUTE |
| 39 | 0260010112 | GROUNDS FEEDER |
| 40 | 0260005161 | SAGOMA PLASTIC GROUP GEAR MOTOR PROTECTION |
| 100 | 0260010121R | |



| Pos. | Code | Description |
|------|---------------|--|
| 1 | 0250008005 | R.H. FRAME |
| 2 | 0250008084 | R.H. INFUSION CHAMBER CAM |
| 3 | 0250008009 | CONNECTING ROD |
| 4 | 0250008028 | PIN FOR CONNECTING ROD |
| 5 | 0250008011 | R.H. CRANK |
| 6 | 0250008014 | MOTOR CRANK PIN |
| 7 | 0250008042 | ANTIVIBRATION WASHER |
| 8 | VIT0006515 | D.5 RADIAL STOP RING |
| 9 | 0250008031 | R.H. REAR GUIDE |
| 10 | VIT0002026 | 3.5x 6.5 STAINLESS STEEL TAPPING TCB SCREW |
| 11 | 0250008033 | FRONT GUIDE |
| 12 | 0250008006 | L.H. FRAME |
| 13 | 0250008085 | L.H. INFUSION CHAMBER CAM |
| 14 | 0250008032 | L.H. REAR GUIDE |
| 15 | 0250008086 | UPPER FILTER SUPPORT |
| 16 | 0250008024 | UPPER FILTER SPRING |
| 17 | 0250008087 | SPRING COVER PIPE |
| 18/a | 0250008026 | D.36 UPPER FILTER |
| 18/b | 0250008208 | D.40 UPPER FILTER |
| | 0250008208IC | |
| 19/a | 0250008099 | FILTER |
| 19/b | 0250008211 | FILTER D.40 |
| 20/a | VIT0001202 | M 3x14 TSP SCREW |
| 20/b | VIT0000121 | M 3x8 TSP SCREW |
| 21/a | GUA0000080 | SILICONE 4112 OR |
| 21/b | GUA0000097 | SILICONE 4131 OR |
| 22 | VIT0006513 | D.8 STAINLESS STEEL INSIDE SEEGER |
| 23/a | 0250008046R | INFUSION CHAMBER |
| 23/b | 0250008206R | INFUSION CHAMBER D.40 |
| | 0250008206RIC | |
| 24 | GUA0000065 | SILICONE OR 112 |
| 25 | 0250008053 | LOWER INLET CUP BUSH |
| 26 | 0250008029 | GLASS BUSH PIN |
| 27/a | 0250008108 | FILTER SUPPORT SHFT |
| 27/b | 0250008122 | LOWER FILTER |
| 27/c | 0250008209 | LOWER FILTER D.40 |
| | 0250008209IC | |
| 28 | 0250008106 | LOWER FILTER ROLL SUPPORT |
| 29 | 0250008021 | ROLL SHAFT |
| 30 | 0250008022 | ROLL SHAFT |
| 31 | VIT0006516 | D.3.2 RADIAL STOP RING |
| 32 | 0250008027 | LOWER FILTER PIN |
| 33 | 0250008083 | FILTER EJECTION CAM |
| 34 | 0250008016 | R.H. FILTER RECOVERY CAM |
| 35 | 0250008017 | L.H. FILTER RECOVERY CAM |
| 36 | 0250008036 | COFFEE CONE |
| 37 | VIT0004803 | STAINLESS STEEL NUT M4 |
| 38 | 0250008035 | SETTING PLATE |
| 39 | VIT0000032 | M 4x8 INOX TCB SCREW |
| 40 | VIT0003309 | 4.3x16x1.5 STAINLESS STEEL FLAT WASHER |
| 41 | VIT0005523 | 4x60 STAINLESS STEEL TCEI SCREW |
| 42 | VIT0004810 | M 4 SELFLOCKING NUT |
| 43 | VIT0002461 | SCREW TCCCR 4,2 x 26 |
| 44 | 0250008039 | L.H. FRAME COVER |
| 45 | 0250008048 | KEY FOR NUT |
| 46 | 0250008050 | WATER INLET PIPE ASSEMBLY |
| 47 | VIT0009203 | M 3 CONNECTION FOR THERMOPLASTIC |
| 48 | VIT0003451 | GROWER SPRING WASHER |
| 49 | 0250008094 | SCRAPER |
| 50 | 0250008088 | WASHER FOR CHAMBER CAM |
| 51 | 0250008109R | D.36 LOWER FILTER+ROLL SUPPORT ASSEMBLY |
| 52 | GUA0000061 | 2010 VITON OR |
| 53 | 0250008107R | LOWER FILTER ROLL SUPPORT |
| 54 | 0250008130CL | COFFEE OUTLET PIPE ASSEMBLY |
| 100 | 0250008001R | MICRO COFFEE GROUP |
| 101 | 0250008201R | MICRO COFFEE GROUP D.40 |
| 102 | 0250008026R | D.36 UPPER FILTER ASSEMBLY |
| 103 | 0250008208R | D.40 UPPER FILTER ASSEMBLY |
| 104 | 0250008108R | D.36 LOWER FILTER |

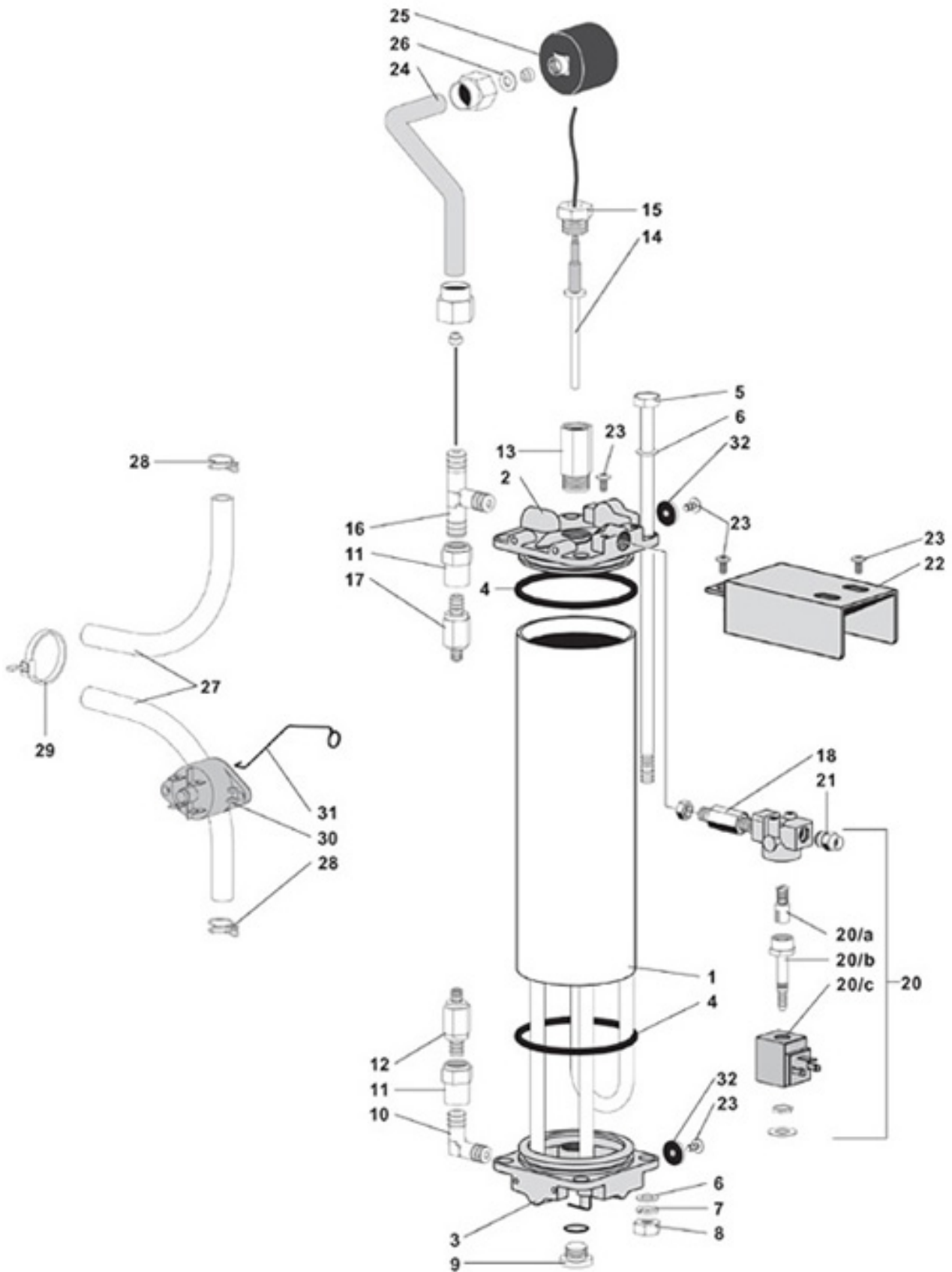
assieme



LUCE - MM 195 MICRO GROUP BOILER

| Pos. | Code | Description |
|------|--------------|---|
| 1 | 250020078 | JACKET |
| 2 | 0600012656 | FLANGE WITH PIPE |
| 3 | 250020081 | FLANGE WITH 1100 W 230V HEATING ELEMENT |
| 4 | GUA0000047 | 164 VITON OR |
| 5 | 250020079 | TIE-BOLT |
| 6 | VIT0003206 | D. 8.4x16x1.6 WASHER |
| 7 | VIT0003402 | D. 8.4 GROWER SPRING WASHER |
| 8 | VIT0004506 | M 8 NUT |
| 9 | 0100001064 | 174 M PLUG + OR |
| 10 | 0100001019 | L FITTING D.6-1/8M CON. |
| 11 | 0100001007 | STRAIGHT CONNECTION 1/8F -1/8 FEMALE |
| 12 | 0110002003 | 1/8M INLET - 1/8M OUTLET NON-RETURN VALVE |
| 13 | 0100003012 | SAGOMA PROBE CONNECTION |
| 14 | ELE0000954R | 4*60 BULB PROBE |
| 15 | 0600015507 | PROBE PLUG |
| 16 | 0100001030 | T UNION D.6-1/8-D.6 |
| 17 | 0110002004 | SAFETY VALVE |
| 18 | 0100001067 | INTERMEDIATE MALE FITTING 1/8 - 1/8 |
| 19 | 0600012653CL | COOFEE BOILER - MICRO GROUP VALVE CONNECTING PIPE |
| 20 | 0110001072 | 24 DC 1/8 3-WAY VALVE |
| 20/a | 0110010020 | CORE WITH SPRING FOR 3-WAY VALVE |
| 20/b | 0110010035 | 3-WAY VALVE SLEEVE |
| 20/c | 0110010065 | 8W 24 D.C. COIL |
| 21 | 0100001070 | STRAIGHT CONNECTION 800 - 1/8 VITON |
| 22 | 0600012661 | VALVE SECURING COVER |
| 23 | VIT0000030 | SCREW TCB M4 x 7 |
| 24 | 0600012654CL | BOILER MANOMETER CONNECTING PIPE |
| 25 | 0110006001 | D.40 0-20 bar MANOMETER - 1(8' REAR CONN. |
| 26 | 0100003002 | COPPER GASKET |
| 27 | TSIL07/11T | TRANSPARENT SILICONE PIPE D.7 x 11 |
| 28 | FASC000102 | D.12 PIPES CLIP |
| 29 | FASC000201 | COLLAR |
| 30 | ELE0009001 | 120° CLICSON |
| 31 | 250020087 | SAFETY SWITCH SECURING SPRING |
| 32 | 1600001098 | SYNTHETIC RUBBER D.4.5 SPACER |
| 100 | 0600012650CL | COFFEE BOILER mm 195 FOR MICRO GROUP |

assieme

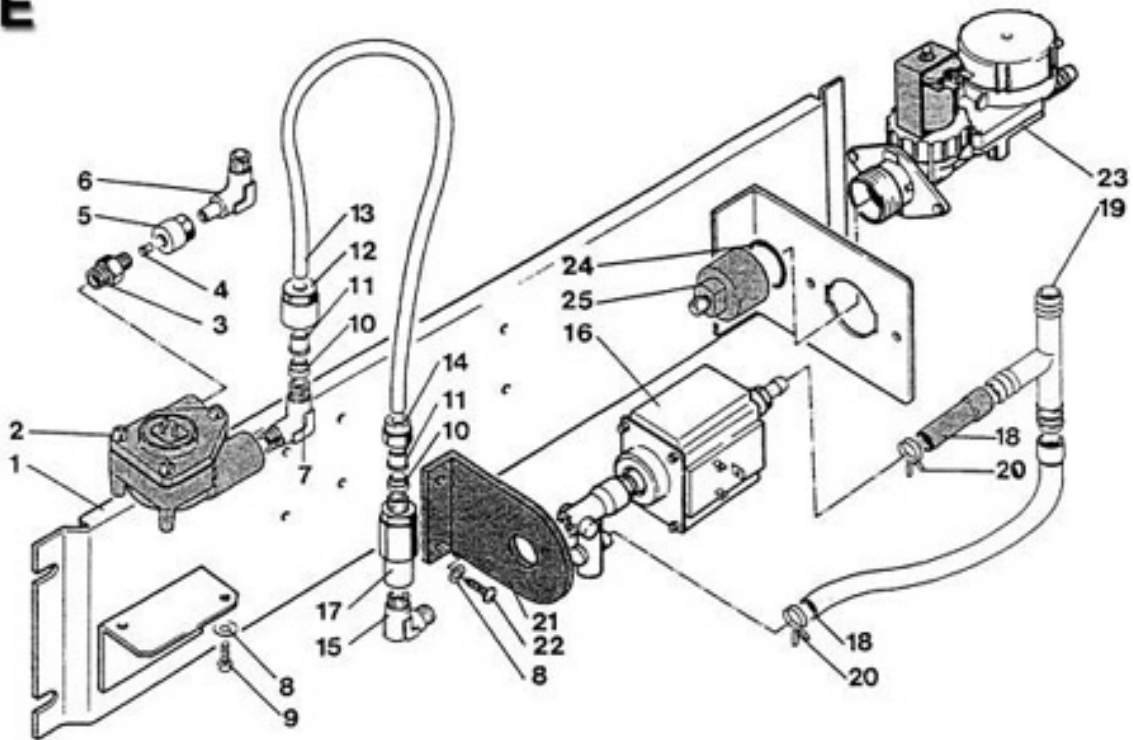


LUCE - MM 150 MICRO GROUP BOILER

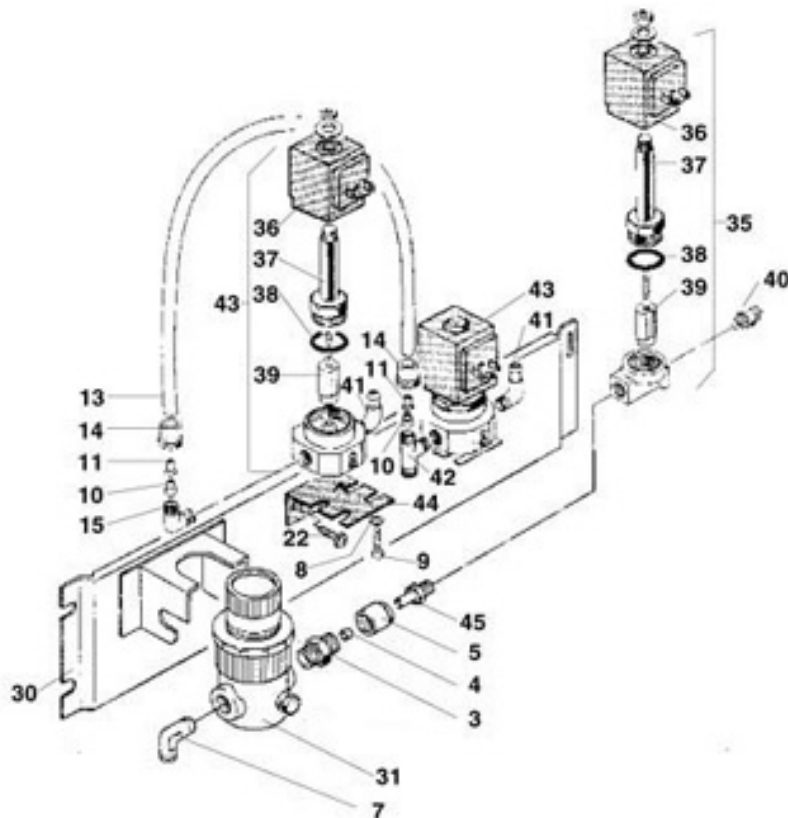
| Pos. | Code | Description |
|------|--------------|---|
| 1 | 0600012514 | JACKET MM 150 |
| 2 | 0600012656 | FLANGE WITH PIPE |
| 3 | 0600012512 | FLANGE WITH 1100W 230 V HEATING ELEMENT |
| 4 | GUA0000047 | 164 VITON OR |
| 5 | 0600012515 | TIE-BOLT MM 177 |
| 6 | VIT0003206 | D. 8.4x16x1.6 WASHER |
| 7 | VIT0003402 | D. 8.4 GROWER SPRING WASHER |
| 8 | VIT0004506 | M 8 NUT |
| 9 | 0100001064 | 174 M PLUG + OR |
| 10 | 0100001019 | L FITTING D.6-1/8M CON. |
| 11 | 0100001007 | STRAIGHT CONNECTION 1/8F -1/8 FEMALE |
| 12 | 0110002003 | 1/8M INLET - 1/8M OUTLET NON-RETURN VALVE |
| 13 | 0100003012 | SAGOMA PROBE CONNECTION |
| 14 | ELE0000954R | 4*60 BULB PROBE |
| 15 | 0600015507 | PROBE PLUG |
| 16 | 0100001030 | T UNION D.6-1/8-D.6 |
| 17 | 0110002004 | SAFETY VALVE |
| 18 | 0600012658 | VALVE BOILER CONNECTION |
| 20 | 0110001072 | 24 DC 1/8 3-WAY VALVE |
| 20/a | 0110010020 | CORE WITH SPRING FOR 3-WAY VALVE |
| 20/b | 0110010035 | 3-WAY VALVE SLEEVE |
| 20/c | 0110010065 | 8W 24 D.C. COIL |
| 21 | 0100001070 | STRAIGHT CONNECTION 800 - 1/8 VITON |
| 22 | 0600012659 | VALVE COVER |
| 23 | VIT0000030 | SCREW TCB M4 x 7 |
| 24 | 0600012662CL | BOILER MANOMENTER CONNECTING PIPE |
| 25 | 0110006001 | D.40 0-20 bar MANOMETER - 1(8' REAR CONN. |
| 26 | 0100003002 | COPPER GASKET |
| 27 | TSIL07/11T | TRANSPARENT SILICONE PIPE D.7 x 11 |
| 28 | FASC000102 | D.12 PIPES CLIP |
| 29 | FASC000201 | COLLAR |
| 30 | ELE0009001 | 120° CLICSON |
| 31 | 250020087 | SAFETY SWITCH SECURING SPRING |
| 32 | 1600001098 | SYNTHETIC RUBBER D.4.5 SPACER |
| 100 | 0600012660CL | COFFEE BOILER MM 150 FOR MICRO GROUP |

assieme

E



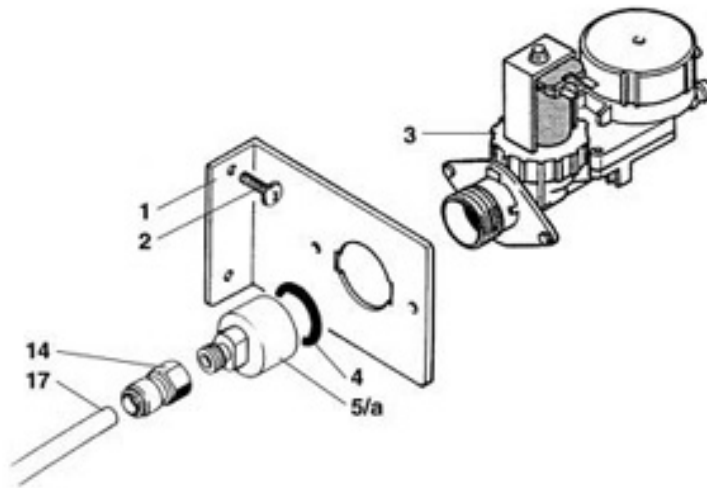
E/FP



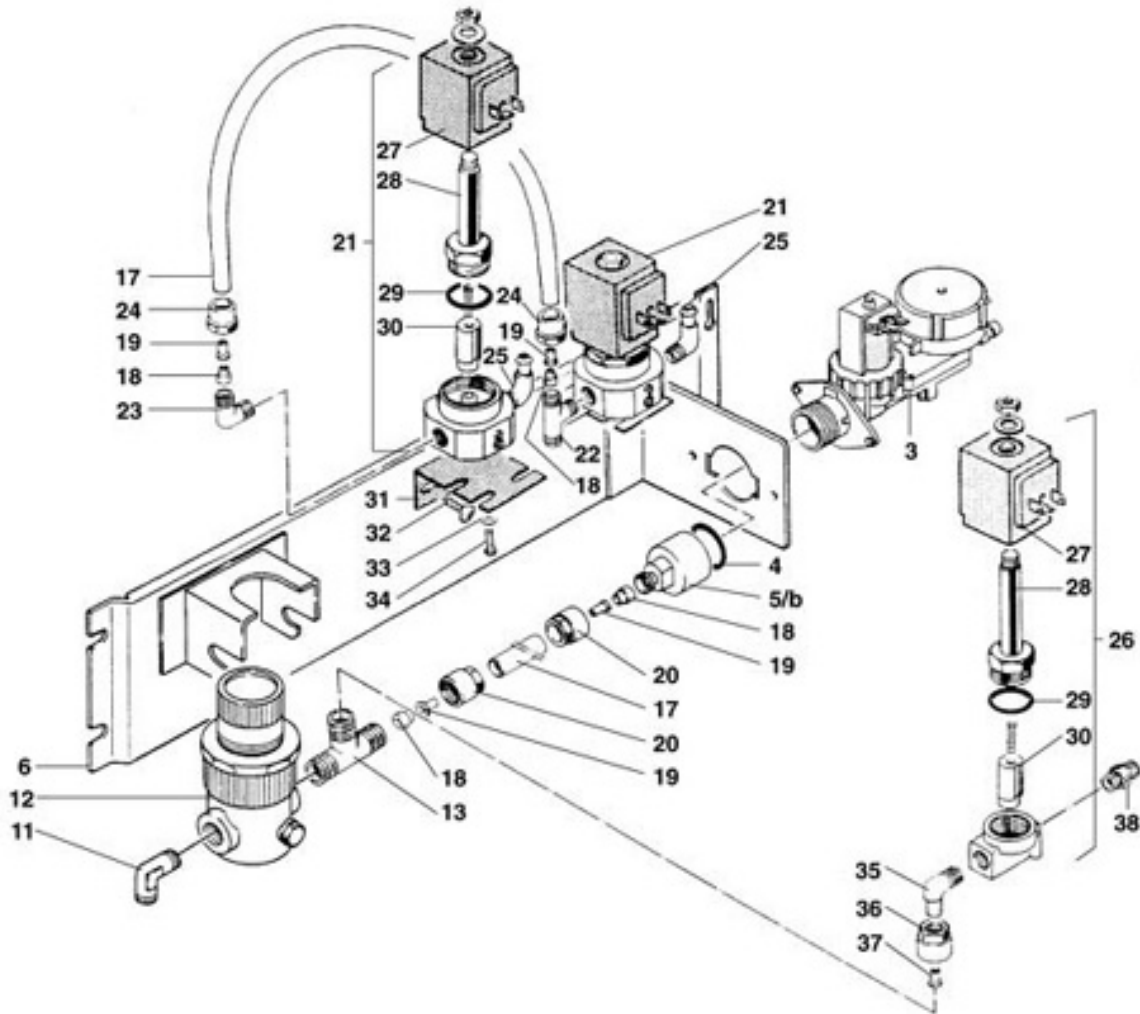
LUCÉ - INLET ASSEMBLY E-E/FP VERSION

| Pos. | Code | Description | |
|------|--------------|---|---------|
| 1 | 0810010555 | WATER COMPONENTS SUPPORT | |
| 2 | 0110007001 | 1/4 VOLUME COUNTER | |
| 3 | 0100001015 | STRAIGHT CONNECTION D.8-1/4 CONIC | |
| 4 | 0100002003 | LOCKING RING D.8 | |
| 5 | 0100001004 | NUT FOR D.8-1/4 PIPE FITTING | |
| 6 | 0100001026 | L FITTING D.8-1/4 CAN BE ORIENTED | |
| 7 | 0100001059 | TURNING ELBOW 6-1/4 VITON OR | |
| 8 | VIT0003301 | WASHER D.12 x 4.3 x 1.5 | |
| 9 | VIT0000204 | M 4X8 TSP SCREW | |
| 10 | 0100002002 | LOCKING RING D.6 | |
| 11 | 0100002005 | STRENGTHENING BUSH D.4 | |
| 12 | 0100001003 | NUT FOR PIPE FITTING D.6-1/4 | |
| 13 | TNAY000001 | D.6*4 POLYAMIDE PIPE | |
| 14 | 0100001002 | NUT FOR PIPE FITTING D.6 | |
| 15 | 0100001019 | L FITTING D.6-1/8M CON. | |
| 16 | 0110004002R | ELECTROMAGNETIC PUMP 12 bar | |
| 17 | 0110002007 | 1/8M INLET - 1/8M OUTLET NON-RETURN VALVE | |
| 18 | TSIL07/11T | TRANSPARENT SILICONE PIPE D.7 x 11 | |
| 19 | 0100003007 | TEE UNION | |
| 20 | FASC000101 | PIPES CLIP | |
| 21 | 0220001002 | PUMP SUPPORT | |
| 22 | VIT0002401 | TAPPING SCREW TCB 3.5 x 9.5 | |
| 23 | 0110001039 | 24 DC INLET VALVE W/SAFETY DEV. | |
| 24 | GUA0000021 | OR 130 | |
| 25 | 0810010556 | 1/4'M GAS VALVE CONNECTION | |
| 30 | 0810010588 | WATER COMPONENTS SUPPORT | |
| 31 | 0110003007 | WATER MICROREGULATOR 1/4 0-8 bar | |
| 35 | 0110001064 | 24 DC 1/8 VALVE WITHOUT/SETTING | |
| 36 | 0110010065 | 8W 24 D.C. COIL | |
| 37 | 0110010088 | 2-WAY VALVE SLEEVE | |
| 38 | 0110010009 | OR FOR 2-WAY VALVE | |
| 39 | 0110010021 | CORE WITH SPRING FOR 2-WAY VALVE | |
| 40 | 0100001017 | STRAIGHT CONNECTION D.6-1/8M CON. | |
| 41 | 820001039 | ELBOW TO RUBBERHOLDER CONNECTION | |
| 42 | 0100001030 | T UNION D.6-1/8-D.6 | |
| 43 | 0110001076 | 24 DC 1/8 2-WAY VALVE WITH SETTING | |
| 44 | 0810010211 | VALVE SUPPORT BRACKET | |
| 45 | 9003001040 | WATER INLET VALVE CONNECTION | |
| 100 | 0810010100CL | E DC VERSION INLET ASSEMBLY | assieme |
| 101 | 0810010101CL | E/FP VERSION - 2 DC VALVES ASSEMBLY | |
| 102 | 0810010107CL | E/FP VERSION - 2 DC VALVES ASSEMBLY | assieme |

H



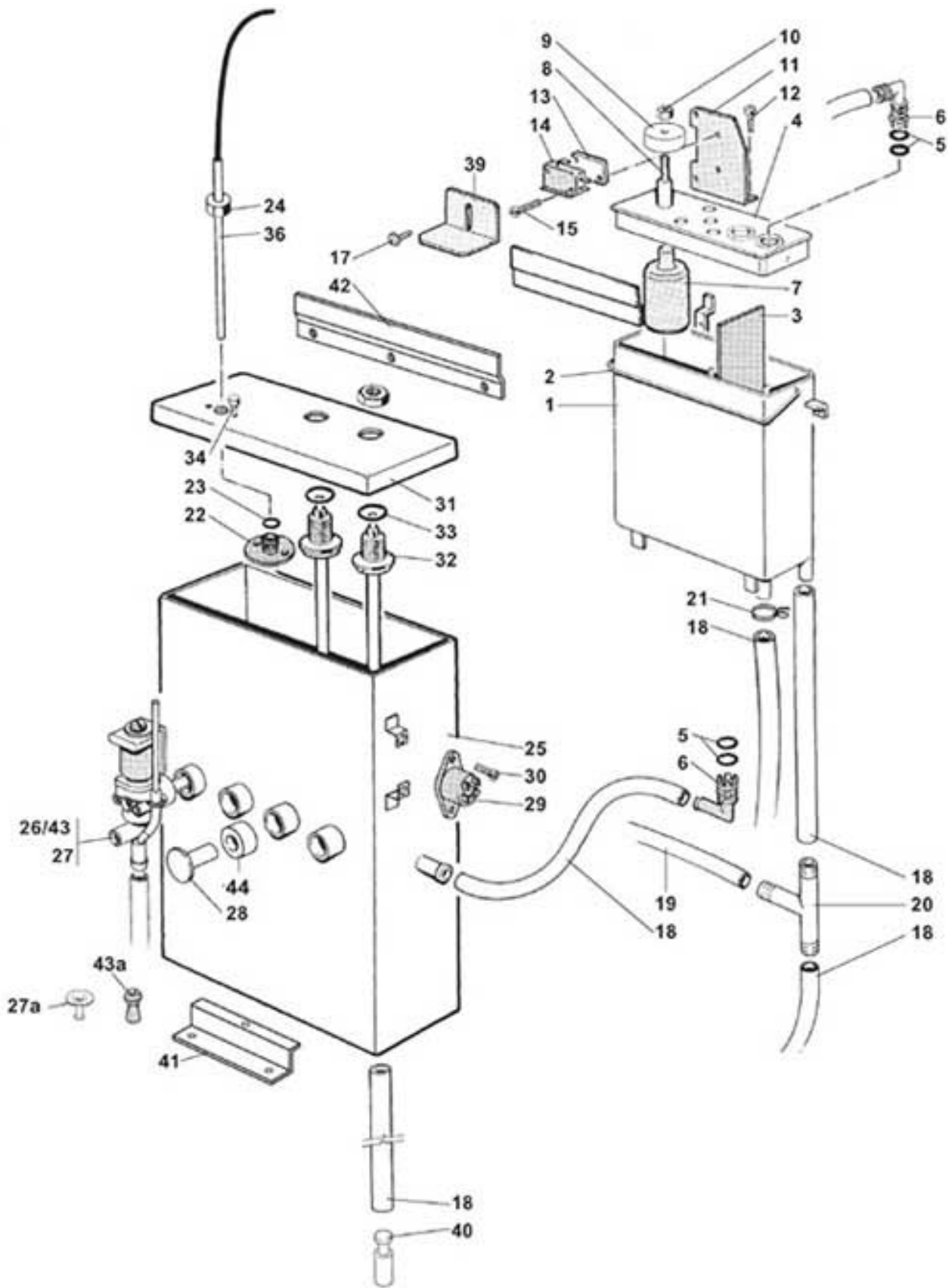
H/FP



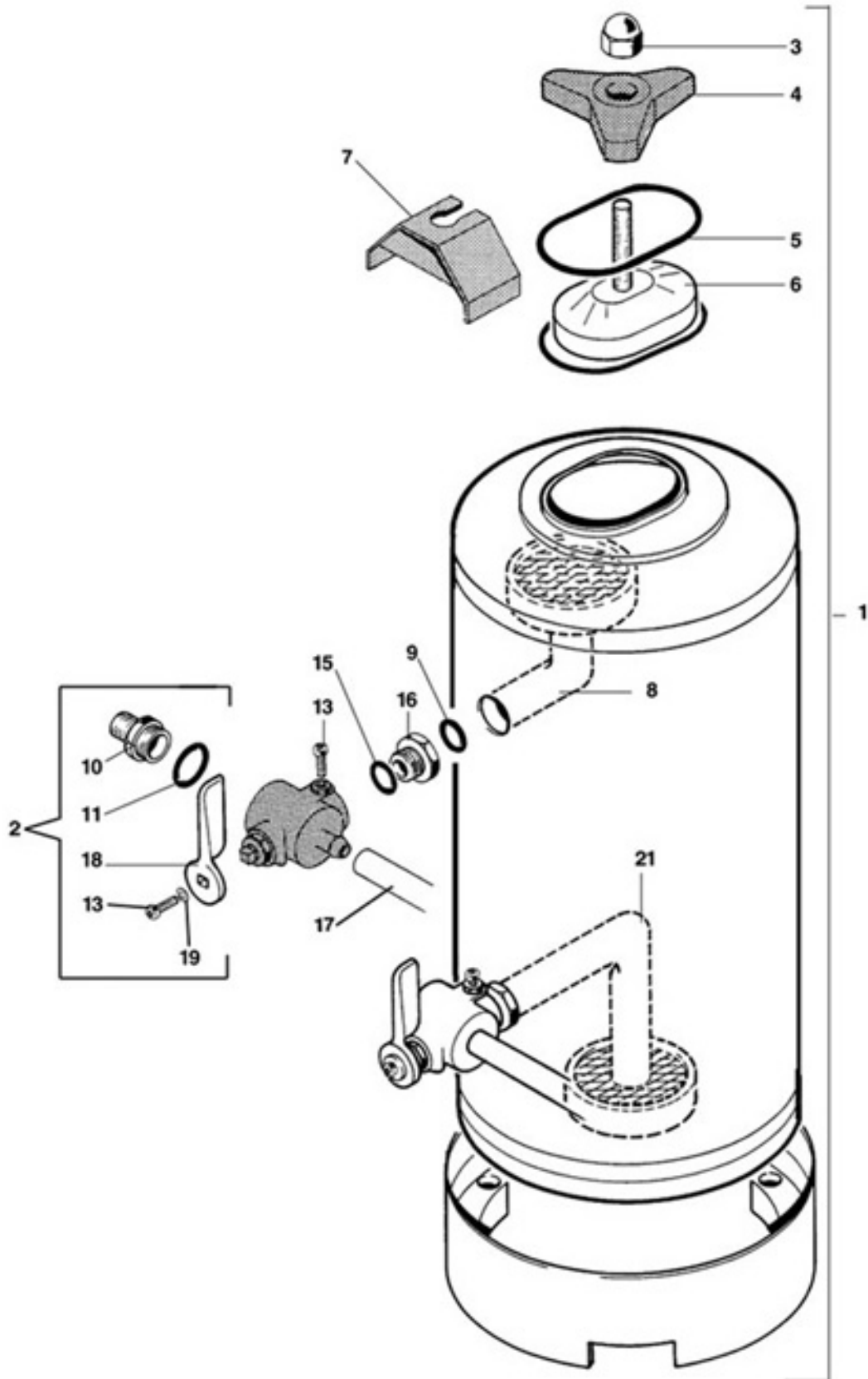
LUCE - INLET ASSEMBLY H-H/FP VERSION

| Pos. | Code | Description |
|------|--------------|---|
| 1 | 0070012111 | WATER INLET VALVE SUPPORT |
| 2 | VIT0000030 | SCREW TCB M4 x 7 |
| 3 | 0110001039 | 24 DC INLET VALVE W/SAFETY DEV. |
| 4 | GUA0000021 | OR 130 |
| 5/a | 0010019223 | 3/8 GAS M WATER INLET VALVE CONNECTION |
| 5/b | 0810010556 | 1/4'M GAS VALVE CONNECTION |
| 6 | 0810010587 | WATER COMPONENTS SUPPORT |
| 11 | 0100001059 | TURNING ELBOW 6-1/4 VITON OR |
| 12 | 0110003007 | WATER MICROREGULATOR 1/4 0-8 bar |
| 13 | 0100001039 | T UNION 1/4-D.8-D.8 |
| 14 | 0100005003 | STRAIGHT TERMINAL D.6 - 1/4 F. |
| 17 | TNAY000001 | D.6*4 POLYAMIDE PIPE |
| 18 | 0100002002 | LOCKING RING D.6 |
| 19 | 0100002005 | STRENGTHENING BUSH D.4 |
| 20 | 0100001003 | NUT FOR PIPE FITTING D.6-1/4 |
| 21 | 0110001076 | 24 DC 1/8 2-WAY VALVE WITH SETTING |
| 22 | 0100001030 | T UNION D.6-1/8-D.6 |
| 23 | 0100001019 | L FITTING D.6-1/8M CON. |
| 24 | 0100001002 | NUT FOR PIPE FITTING D.6 |
| 25 | 820001039 | ELBOW TO RUBBERHOLDER CONNECTION |
| 26 | 0110001064 | 24 DC 1/8 VALVE WITHOUT/SETTING |
| 27 | 0110010065 | 8W 24 D.C. COIL |
| 28 | 0110010088 | 2-WAY VALVE SLEEVE |
| 29 | 0110010009 | OR FOR 2-WAY VALVE |
| 30 | 0110010021 | CORE WITH SPRING FOR 2-WAY VALVE |
| 31 | 0810010211 | VALVE SUPPORT BRACKET |
| 32 | VIT0002401 | TAPPING SCREW TCB 3.5 x 9.5 |
| 33 | VIT0003301 | WASHER D.12 x 4.3 x 1.5 |
| 34 | VIT0000204 | M 4X8 TSP SCREW |
| 35 | 250020146 | ELBOW CONNECTION |
| 36 | 0100001004 | NUT FOR D.8-1/4 PIPE FITTING |
| 37 | 0100002003 | LOCKING RING D.8 |
| 38 | 0100001017 | STRAIGHT CONNECTION D.6-1/8M CON. |
| 100 | 0810010108CL | H/FP VERSION INLET ASSEMBLY W/SAF. DEVICE |

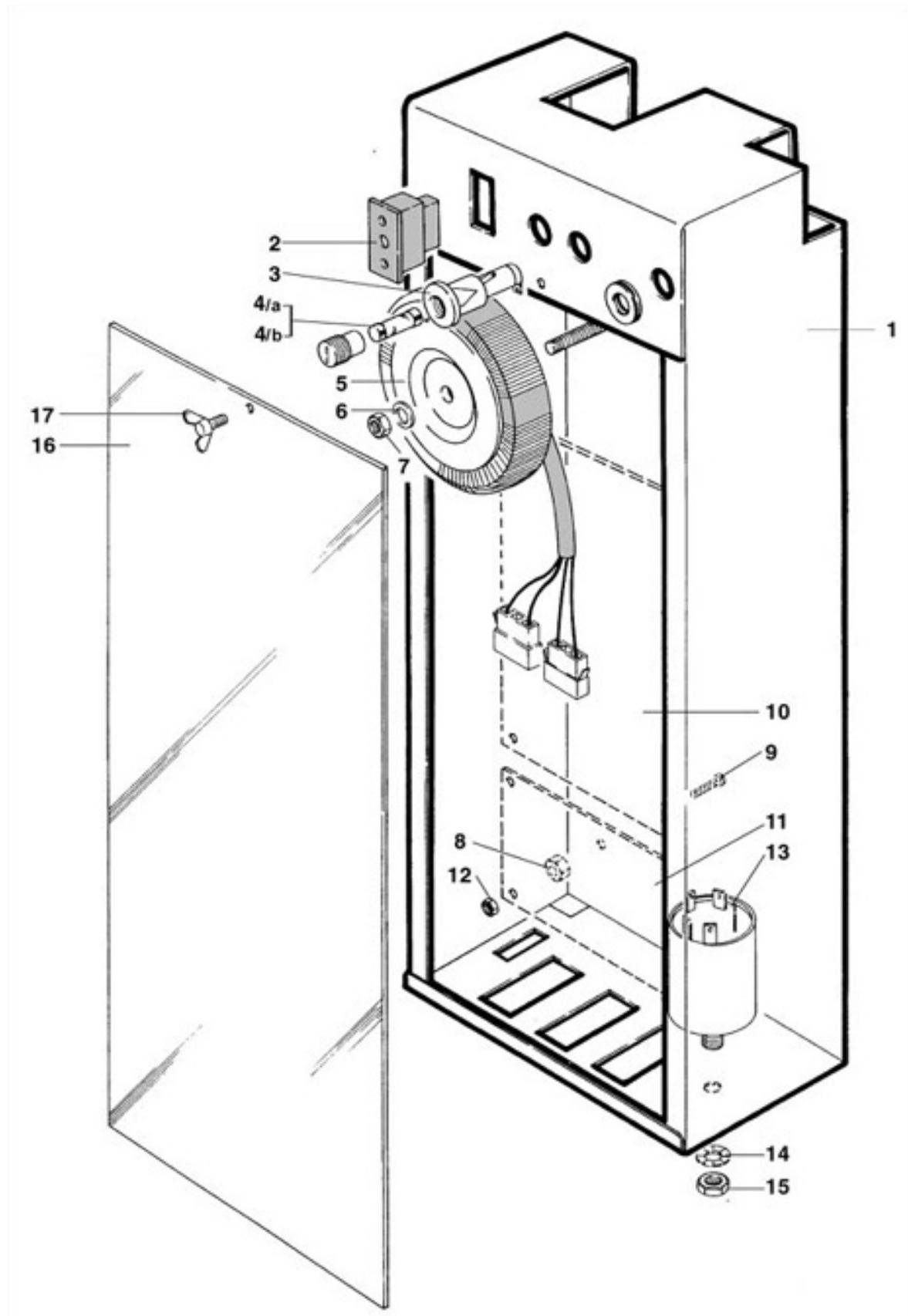
assieme



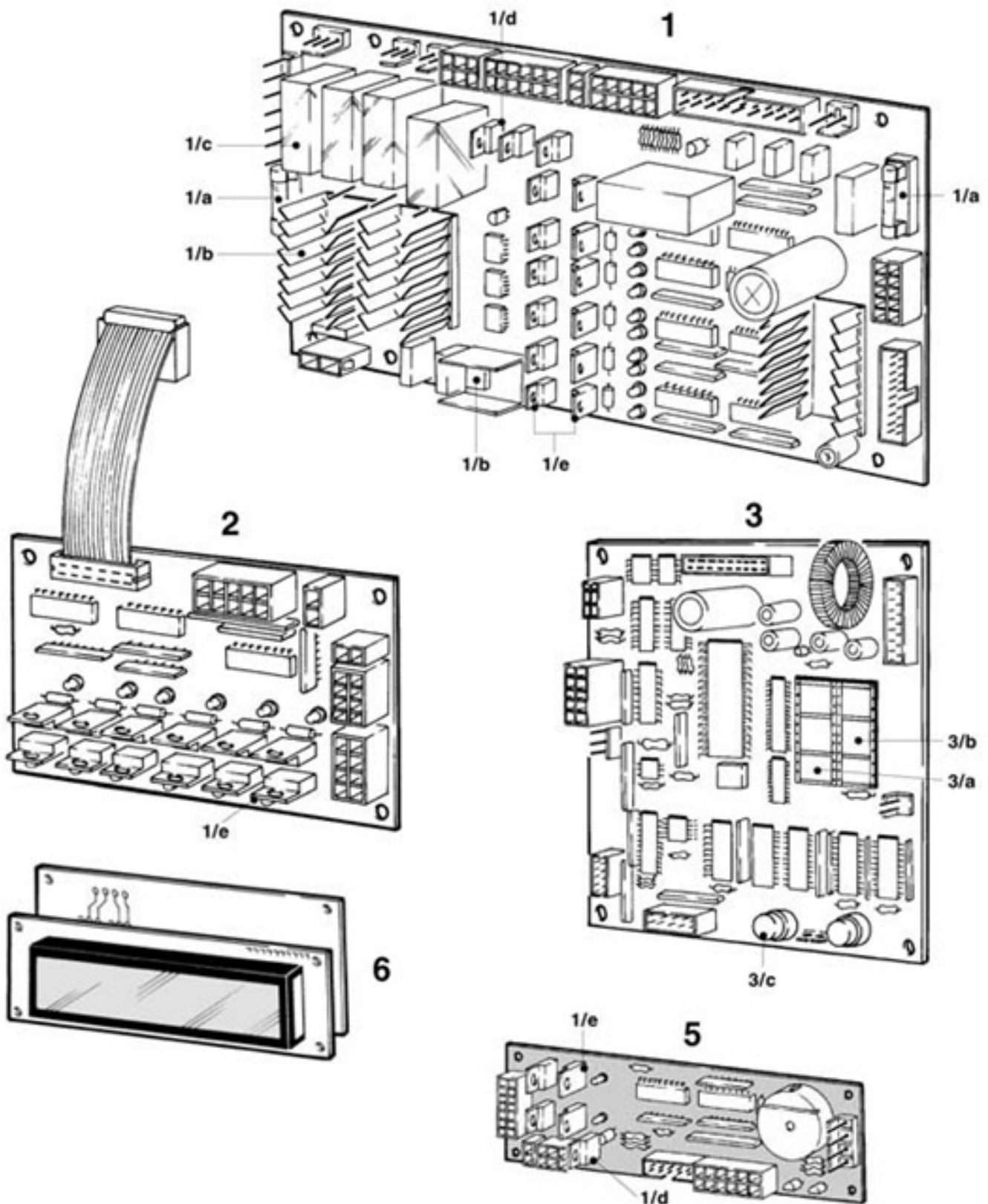
| Pos. | Code | Description |
|------|-------------|--|
| 1 | 0800009201 | SOLUBLE TANK BODY |
| 2 | 800000035 | COVER SECURING RING |
| 3 | 800000010 | TANK INTERNAL WALL |
| 4 | 0800009221 | TANK COVER |
| 5 | GUA0000043 | OR 109 |
| 6 | 0800009211 | ELBOW WITH RAPID CONNECTION |
| 7 | 600001065 | FLOATER |
| 8 | 800000016 | STAINLESS STEEL FLOATER PIN |
| 9 | 800000017 | MICRO FLOATER CONTROL DISK |
| 10 | VIT0004812 | M 3.5 BRASS NUT |
| 11 | 800000020A | MICRO FLOATER SUPPORT |
| 12 | VIT0002014 | TAPPING SCREW TCB 2.9 x 13 |
| 13 | 4600010014 | MICRO SPACER |
| 14 | ELE0001514 | 3 A 250 V MICROSWITCH |
| 15 | VIT0002012 | 2.9x 16 TAPPING TCB SCREW |
| 17 | VIT0002401 | TAPPING SCREW TCB 3.5 x 9.5 |
| 18 | TSIL07/11T | TRANSPARENT SILICONE PIPE D.7 x 11 |
| 19 | TSIL05/08T | TRANSPARENT SILICONE PIPE D.5 x 8 |
| 20 | 0100003003 | TEE UNION |
| 21 | FASC000109 | D.12 PIPES CLIP |
| 22 | NL202101016 | SOLUBLES PROBE SUPPORT |
| 23 | GUA0000069 | 2015 OR |
| 24 | 0600011107 | SOLUBLES PROBE NUT |
| 25/a | 0600012011 | 4-VALVE SOLUBLES BOILER TANK |
| 25/b | 0600011011 | 3-VALVE SOLUBLES BOILER TANK |
| 26 | 0110001081 | 24 V DC 2-WAY VALVE -ERA |
| 27 | 0110001095 | 24DC 70% 2-WAY SOLENOID VALVE O. Up to serial 04219999 |
| 27/a | 0110010127 | CORE W/SPRING FOR VALVE 70% Up to serial 04219999 |
| 27 | 0110001108 | 24 DCVALVE 2-WAY 70% O From serial 04220001 |
| 27/a | 0110010132 | GASKET FOR EV 0110001108 From serial 04220001 |
| 27/b | 0110010133 | CORE FOR EV. 0110001108 From serial 04220001 |
| 28 | 0600011036 | VALVE CONNECTION PLUG |
| 29 | ELE0009015 | 90° CLICSON |
| 30 | VIT0000014 | M 4x16 TCB SCREW |
| 31 | 0600011101 | COVER |
| 32 | 0600011105 | 1300W 230V INCOLOY SOLUBLES HEATING ELEMENT |
| 33 | GUA0000016 | 121 OR |
| 34 | VIT0001105 | M 3x8 STAINLESS STEEL H.H. SCREW |
| 36 | ELE0000955R | 4*125 BULB PROBE FOR SOLUBLES |
| 39 | 0810011025 | BOILER COVER STOP |
| 40 | 650001057 | BOILER DISCHARGE PLUG |
| 41 | 0010015141 | BOILER LOWER BRACKET |
| 42 | 0010015142 | BOILER UPPER BRACKET |
| 43/a | 0110001089 | 24 V DC 2-WAY VALVE - MULLER |
| 43/c | 0110001094 | CORE WITH SPRING FOR 3-WAY VALVE |
| 43/b | 0110003508 | GASKET |
| 43/d | 0110010119 | BODY |
| 44 | GUA0002006 | GASKET 4979 |



| Pos. | Code | Description | |
|------|------------|-----------------------------------|---------|
| 1 | 0060002001 | SWEETENER ASSEMBLY | assieme |
| 2 | 0060002030 | COCK ASSEMBLY | assieme |
| 3 | 0060002031 | SWEETENER NUT WITH SPHERIC COVER | |
| 4 | 0060002032 | SWEETENER COVER WHEEL | |
| 5 | GUA0000035 | OR FOR SWEETENER COVER | |
| 6 | 0060002033 | SWEETENER COVER | |
| 7 | 0060002034 | SWEETENER BRIDGE | |
| 8 | 0060002035 | SWEETENER UPPER FILTER | |
| 9 | GUA0000018 | 125 OR | |
| 10 | 0060002036 | SWEETENER COCK CONNECTION | |
| 11 | GUA0000013 | 117 OR | |
| 13 | VIT0001005 | SCREW T.C.B. M 4 x 12 | |
| 15 | 0060002037 | SWEETENER R 9 GASKET | |
| 16 | 0060002038 | SWEETENER NUT D. 20*1.5 | |
| 17 | TSIL06/09T | TRANSPARENT SILICONE PIPE D.6 x 9 | |
| 18 | 0060002039 | SWEETENER HANDLE | |
| 19 | VIT0003301 | WASHER D.12 x 4.3 x 1.5 | |
| 21 | 0060002040 | SWEETENER LOWER FILTER | |

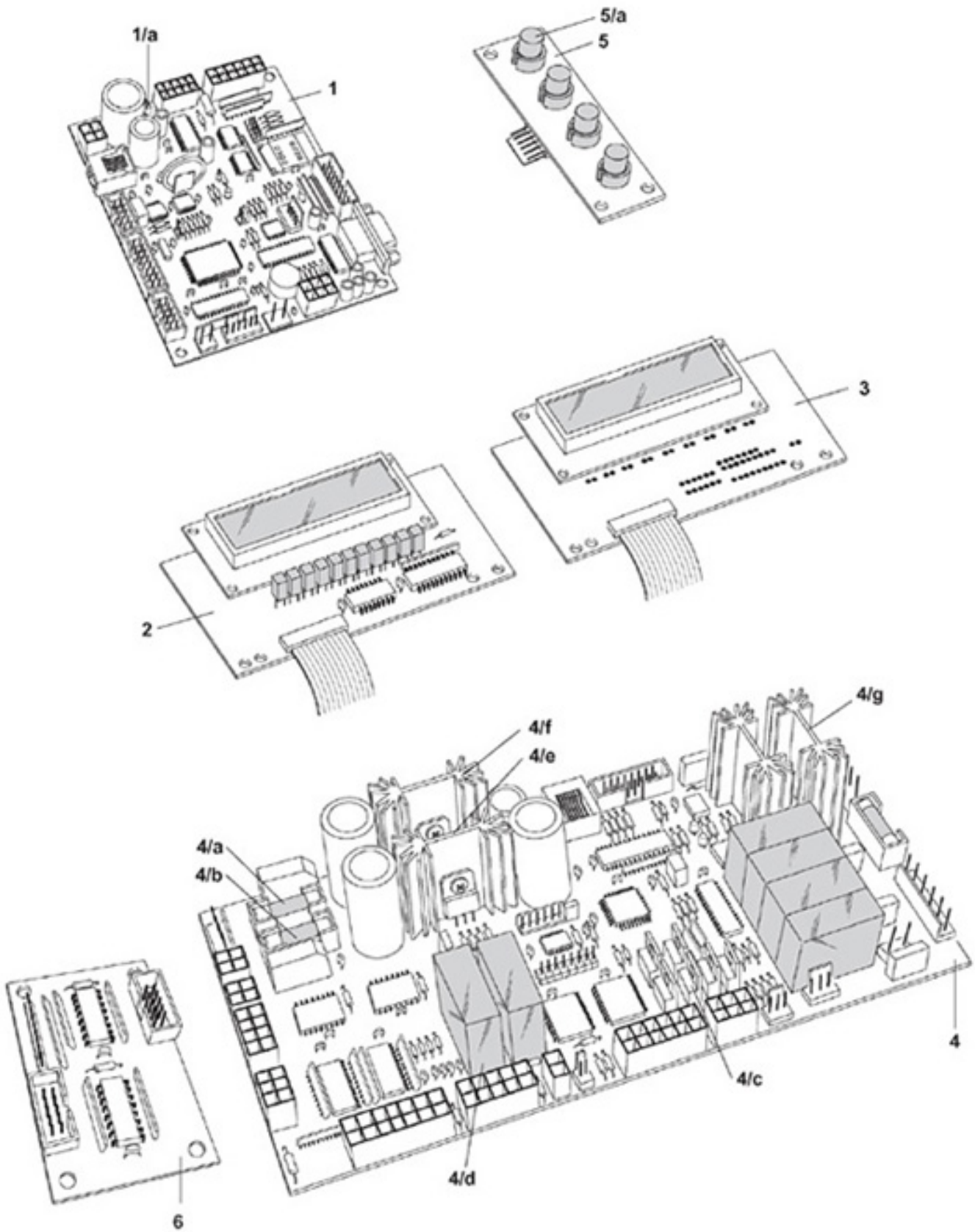


| Pos. | Code | Description |
|------|-------------|---|
| 1 | 0130011555 | CONTROL PANEL STRUCTURE |
| 2 | ELE0002305 | 10 A 250 V SOCKET |
| 3 | ELE0003507 | FUSES HOLDER |
| 4/a | ELE0003023 | 4 A 6.3x32 SLOW-BLOW CERAMIC TYPE FUSE |
| 4/b | ELE0003024 | SLOW-BLOW CERAMIC TYPE 6.3A FUSES 5 x 20 |
| 5/a | ELE0000561R | TOROIDAL TRANSFORMER |
| 5/b | ELE0000565R | 150VA E.230V-U.26-8,6V TOROIDAL TRANSFORMER |
| 6 | VIT0003005 | 6.4x12.5x1.6 FLAT WASHER |
| 7 | VIT0004505 | NUT M6 |
| 8 | 0020018125 | BOARD SPACER |
| 9 | VIT0000014 | M 4x16 TCB SCREW |
| 10 | See table | CONTROL AND POWER LOGIC |
| 11 | See table | CONTROL AND POWER LOGIC |
| 12 | VIT0004503 | NUT M 4 |
| 13 | ELE0009055 | ANTIPARASITIC FILTER |
| 14 | VIT0003106 | WASHER tab D. 8 |
| 15 | VIT0004506 | M 8 NUT |
| 16 | 0130011561 | CONTROL PANEL COVER |
| 17 | VIT0007008 | M 4 x 10 SCREW |
| 18 | ELE0001014 | 24 V DC RELAY |



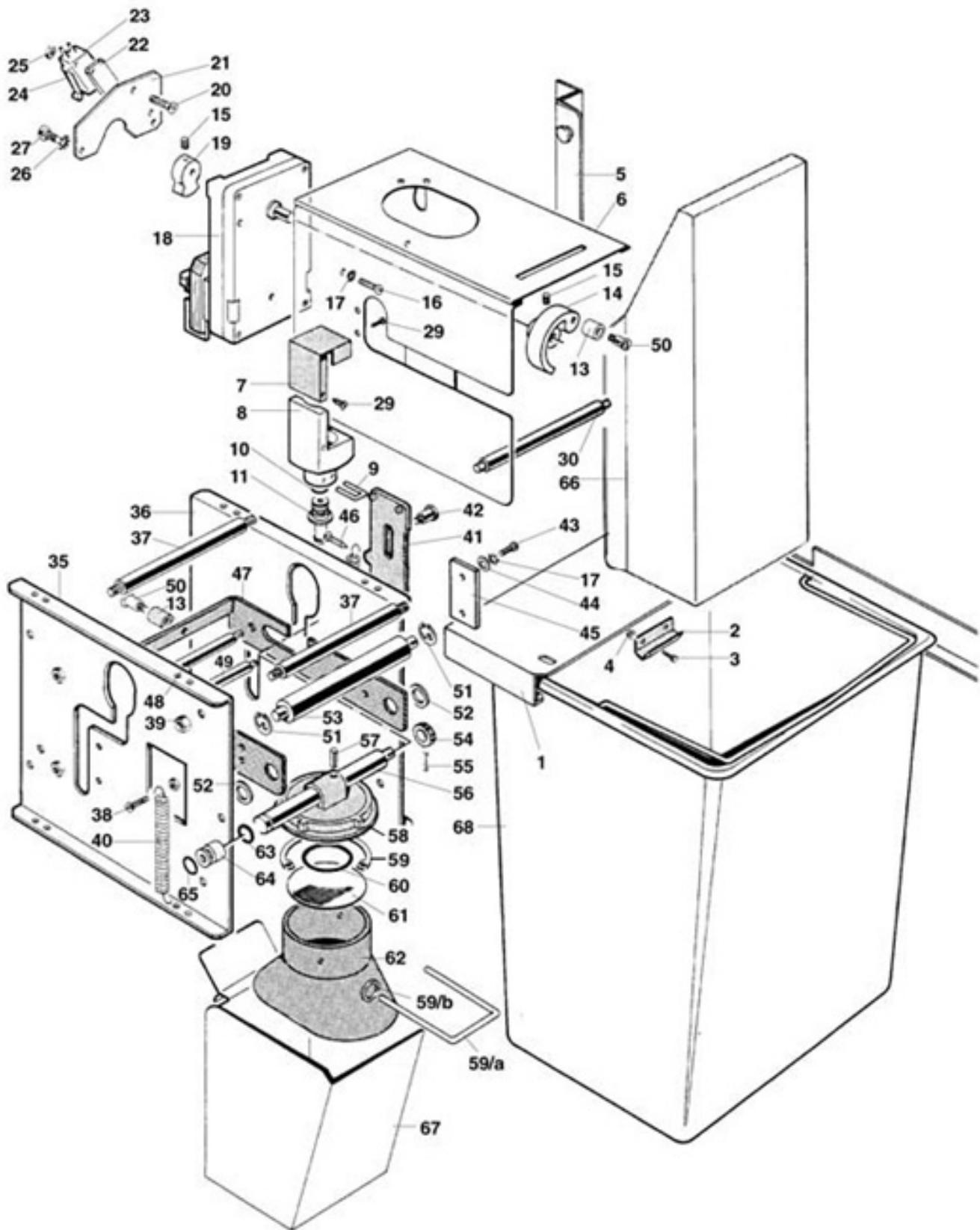
LUCE - CONTROL AND POWER LOGIC

| Pos. | Code | Description |
|------|------------|------------------------------|
| 1 | SCH0003600 | DC POWER CONTROL |
| 1/a | ELE0003017 | 5A SLOW-BLOW GLASS FUSE 5x20 |
| 1/b | ELT0004209 | TRIAC TRIAC 16 A |
| 1/c | ELT0007151 | 1-WAY 24V D.C. 10A RELAY |
| 1/d | ELT0004018 | TIP 127+C1993 TRANSISTOR |
| 1/e | ELT0004020 | TRANSISTOR BDW93C |
| 2 | SCH0002820 | DC POWER CONTROL EXPANSION |
| 3 | SCH0002860 | DC CPU |
| 3/a | ELT0030059 | EPROM 27C512 |
| 3/b | ELT0030060 | BUFFER RAM WITH CLOCK |
| 3/c | ELT0030704 | D6 ROUND KEY |
| 5 | SCH0002840 | DC CPU EXPANSION |
| 6 | SCH0003120 | LCD DISPLAY |

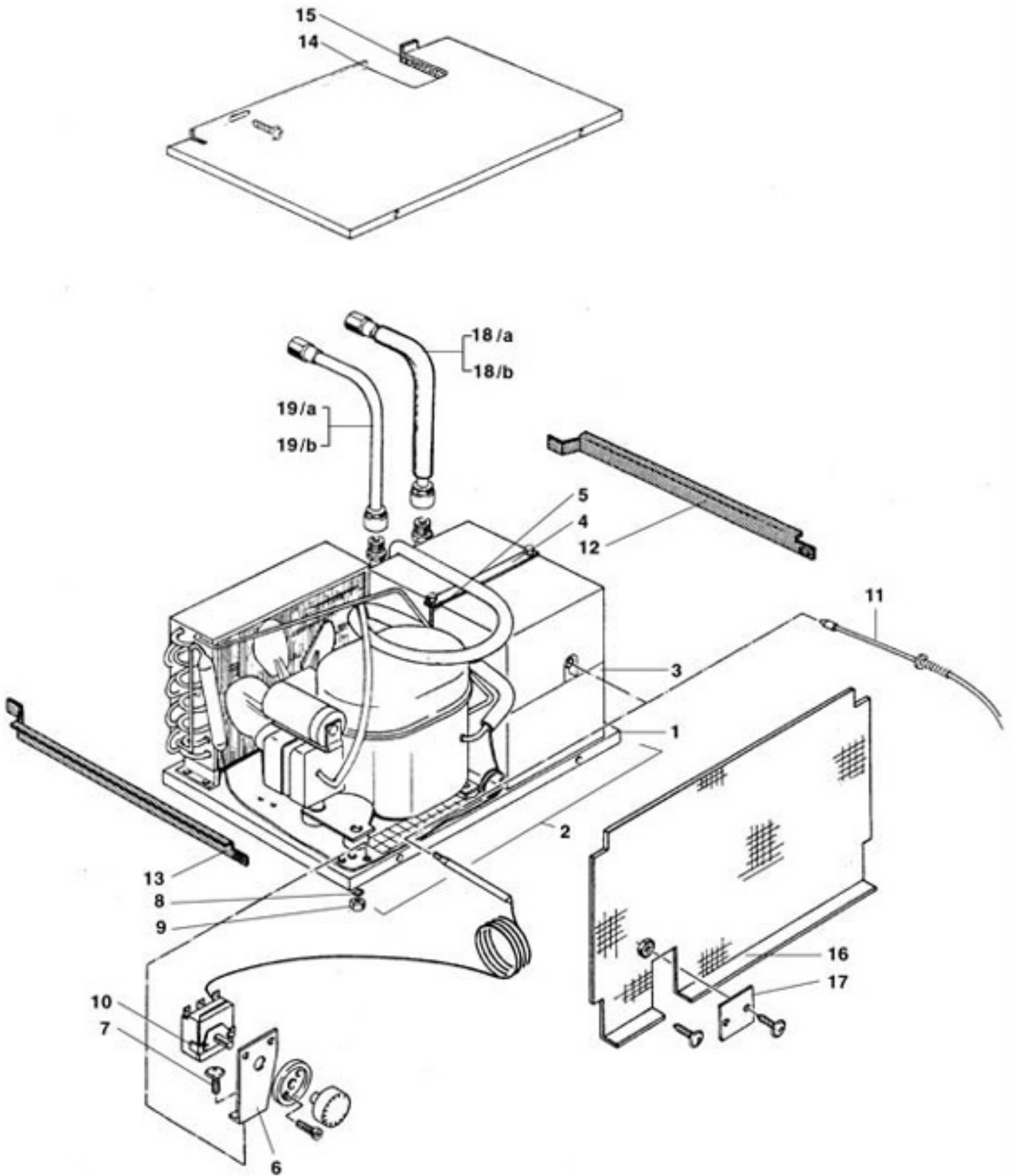


LUCE - NEW ELECTRONIC CONTROL AND POWER LOGIC

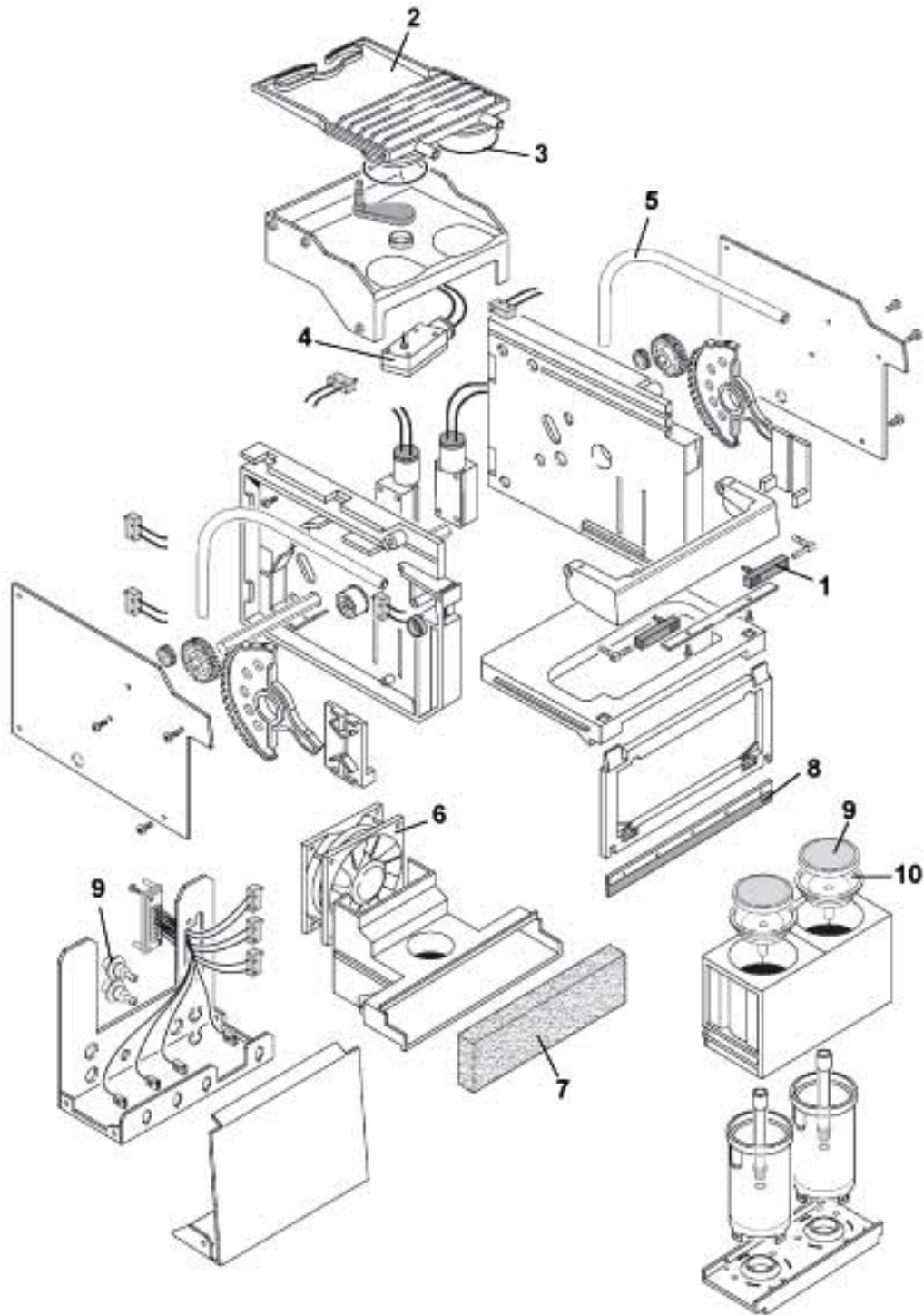
| Pos. | Code | Description |
|------|------------|------------------------------------|
| 1 | SCH0004080 | CPU DC CARD |
| 1/a | ELT0004026 | TRANSISTOR BTS 141 |
| 2 | SCH0004640 | LCD DISPLAY SUGAR QUANTITY |
| 3 | SCH0004680 | LCD DISPLAY WITHOUT SUGAR QUANTITY |
| 4 | SCH0005140 | POWER CARD |
| 4/a | ELE0003025 | 2A RAPID GLASS FUSE 5x20 |
| 4/b | ELE0003028 | 5A SLOW-BLOW GLASS FUSE 5x20 |
| 4/c | ELT0004025 | TRANSISTOR BTS 133 |
| 4/d | ELT0007151 | 1-WAY 24V D.C. 10A RELAY |
| 4/e | ELT0004026 | TRANSISTOR BTS 141 |
| 4/f | ELT0030301 | INTEGRATED CIRCUIT 7805 |
| 4/g | ELT0004209 | TRIAC TRIAC 16 A |
| 5 | SCH0003980 | PROG./WASHING KEYBOARD |
| 5/a | ELT0030704 | D6 ROUND KEY |
| 6 | SCH0004200 | KEYBOARD EXPANSION |



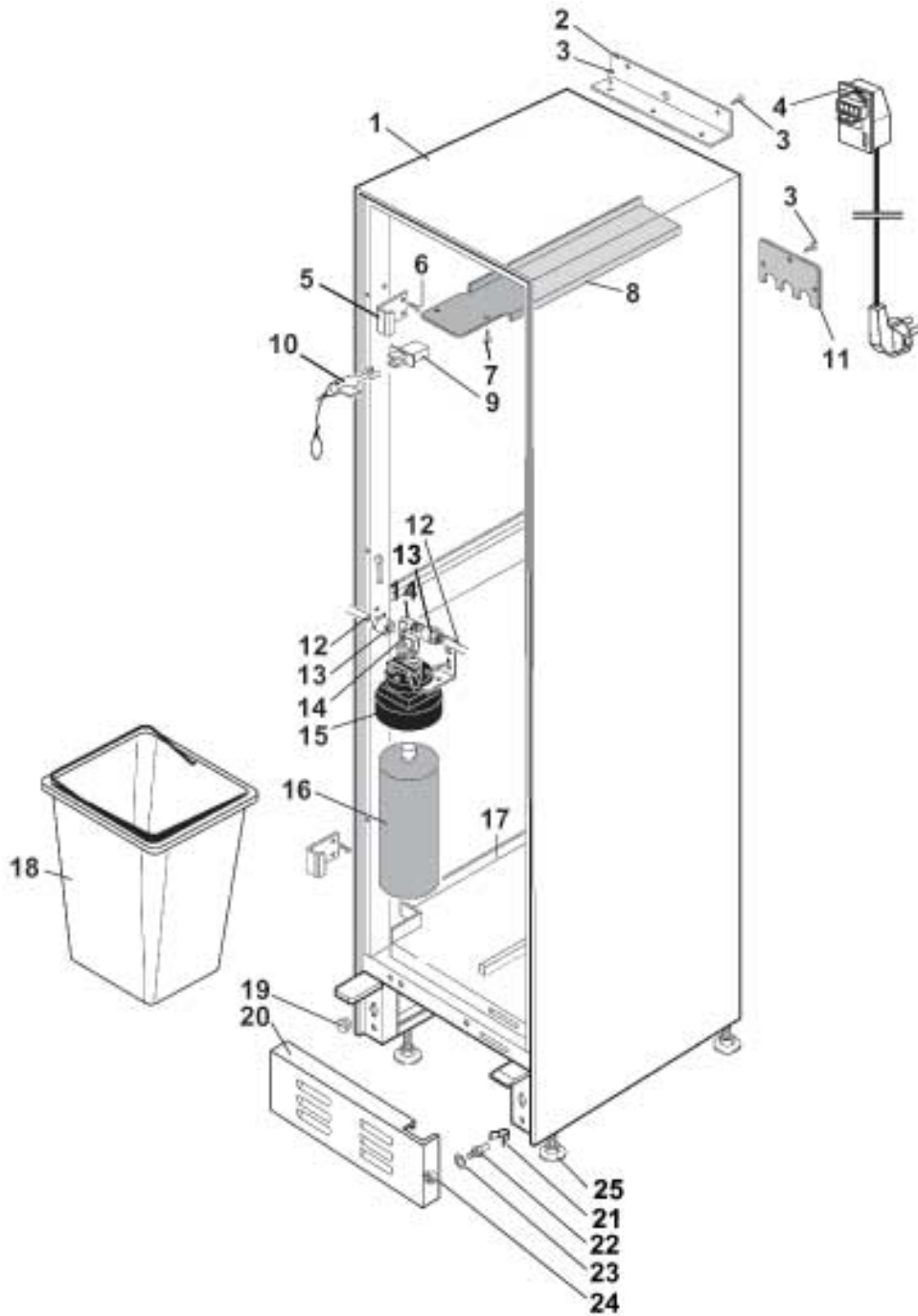
| Pos. | Code | Description | |
|------|---------------|---|---------|
| 1 | 0240002145 | BIN SUPPORT | |
| 2 | 2500002110 | GOUNDS BAG SUPPORT STOP | |
| 3 | VIT0000003 | M 3x8 TCB SCREW | |
| 4 | VIT0004502 | M3 NUT | |
| 5 | 0240002118 | TEA HOUSING SUPPORT | |
| 6 | 0240002105 | TEA HOUSING | |
| 7 | 0240002112 | FLUX-BREAKER COVER | |
| 8 | 0240002025 | TEA OUTLET CONNECTION | |
| 9 | 0240002028 | ASSEMBLY SPRING | |
| 10 | GUA0000043 | OR 109 | |
| 11 | 0240002111 | RUBBERHOLDE CONNECTION | |
| 13 | 0200001011 | CONTROL CONNECTING ROD ROLL | |
| 14 | 0240002019 | TEA GROUP CAM | |
| 15 | VIT0007002 | M 4 x 6 DOWEL | |
| 16 | VIT0000014 | M 4x16 TCB SCREW | |
| 17 | VIT0003103 | WASHER tab D. 4.3 | |
| 18 | 0090002104 | 24V DC 10 RPM TEA GEAR MOTOR | |
| 19 | 0240002010 | TEA MICRO CAM | |
| 20 | VIT0000105 | M 3x20 TSP SCREW | |
| 21 | 0240002013 | TEA MICRO STAINLESS STEEL SUPPORT | |
| 22 | 4600010014 | MICRO SPACER | |
| 23 | ELE0001522 | 1-WAY 16 A 250 V MICROSWITCH | |
| 24 | ELE0001906 | 161 E R 24.1 MICRO LEVER | |
| 25 | VIT0004701 | M3 FR NUT | |
| 26 | VIT0003105 | WASHER tab D. 6.4 | |
| 27 | VIT0005503 | M 6x14 TCEI SCREW | |
| 29 | VIT0002052 | 2.9x 6.5 TAPPING TCB SCREW | |
| 30 | 0240002108 | SPACER | |
| 35 | 0240001006 | L.H. FRAME | |
| 36 | 0240001007 | R.H. FRAME | |
| 37 | 0240001017 | FRAMES INOX SPACER | |
| 38 | 0240001022 | SPRING HOOKING SCREW M 4x12 | |
| 39 | VIT0004810 | M 4 SELFLOCKING NUT | |
| 40 | 0240001026 | STAINLESS STEEL RACK SPRING | |
| 41 | 0240001014 | RACK | |
| 42 | 0240001021 | STAINLESS STEEL RACK SLIDING SCREW | |
| 43 | VIT0001004 | M 4x6 STAINLESS STEEL TCB SCREW | |
| 44 | VIT0003202 | STAINLESS STEEL FLAT WASHER D.4.3 x 9 x 0.8 | |
| 45 | 0240001016 | GEAR PLATE | |
| 46 | VIT0002015 | STAINLESS STEEL SCREW TBC 3.5 x 9.5 INOX | |
| 47 | 0240001008 | TEA CUP CONTROL LEVER | |
| 48 | 0240001018 | CUP STOP PIN | |
| 49 | 0240001025 | STAINLESS STEEL LEVER STOP PIN | |
| 50 | 0240001032 | PIN FOR ROLL | |
| 51 | VIT0006511 | D.7 RADIAL STOP RING | |
| 52 | 0240001024 | NYLON LEVER SHAFT WASHER | |
| 53 | 0240001019 | CUP CONTROL LEVER SHAFT | |
| 54 | 0240001015 | CYLINDRICAL GEAR | |
| 55 | VIT0005011 | 1.5x8 SPRING PIN | |
| 56 | 0240001013 | CUP MOVEMENT SHAFT | |
| 57 | VIT0005214 | 3 x 20 A4 CYLINDRICAL PIN | |
| 58 | 0240001029 | FILTER SUPPORT | |
| 59 | VIT0006603 | D.42 RADIAL STOP RING FOR HOLE | |
| 59/a | 0240001033 | CUP SECURING CONNECTION | |
| 59/b | 2500003005 | FLOATER RING | |
| 60 | GUA0000033 | 3143 OR | |
| 61 | 0240001036 | D.40 - P.0.85 - SP-0.15 FILTER | |
| 62 | 0240001034 | TEA CUP FOR CONNECTION | |
| 63 | GUA0000048 | 2031 OR | |
| 64 | 0240002113 | TEA GROUP SHAFT EXTENSION | |
| 65 | GUA0000004 | 104 OR | |
| 66 | 0240002107 | TEA GROUP POSITIONING SHEET | |
| 67 | 0240002115 | TEA GROUNDS FEEDER | |
| 68 | CON0000204 | MINI-LINE RECTANGULAR BIN | |
| 100 | 0240001029R | FILTER SUPPORT ASSEMBLY | assieme |
| 101 | 0240001034R | TEA CUP + CONNECTION | assieme |
| 102 | 0240002150CL | TEA GROUP SUPPORT | assieme |
| 103 | 0240001001/12 | TEA INFUSION GROUP | |



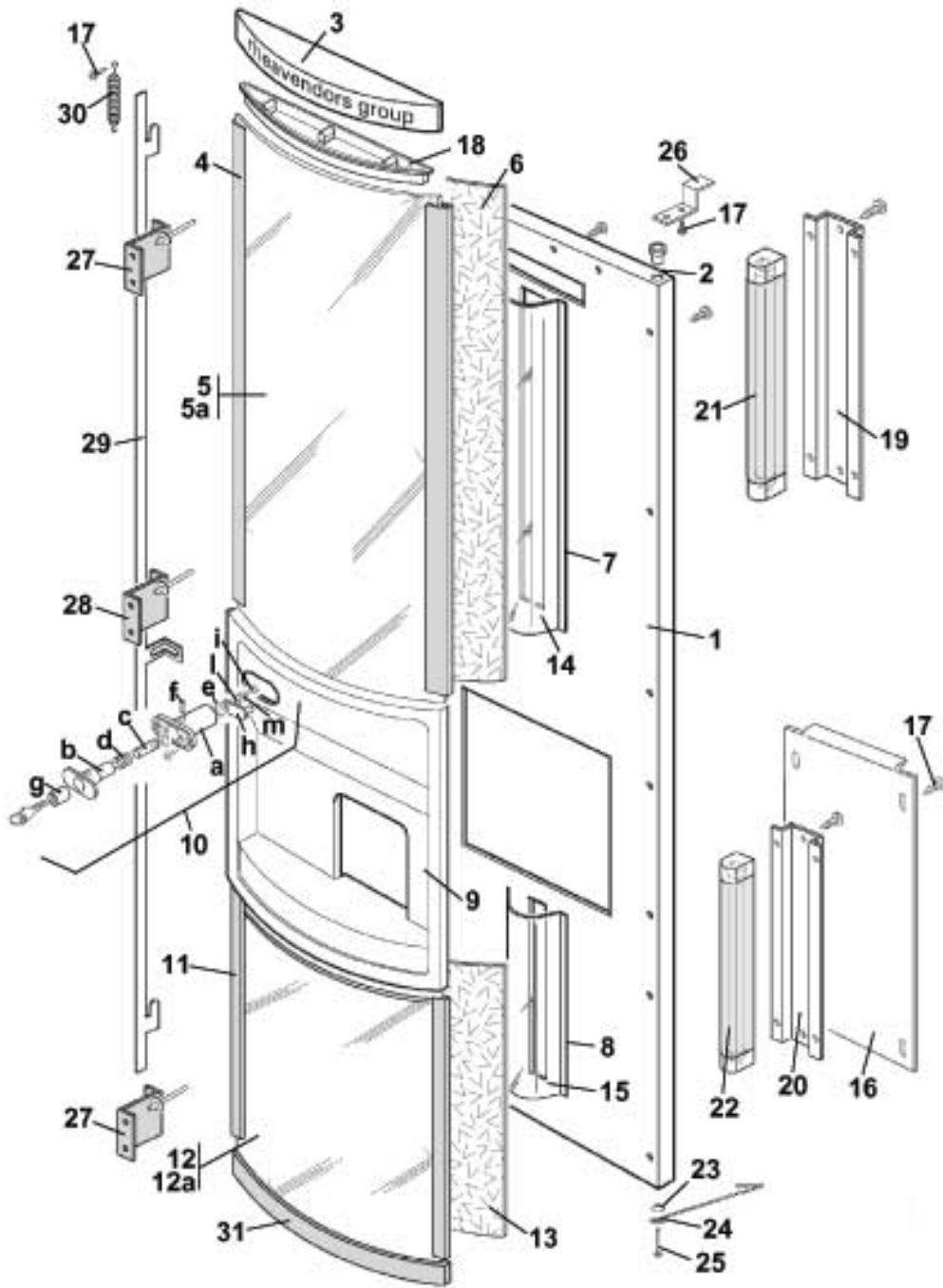
| Pos. | Code | Description | |
|------|--------------|--|---------|
| 1 | 550000001 | REFRIGERATING SUPPORT | |
| 2 | 0550050005 | REFRIGERATING GROUP WIHT HEATING ELEMENTS | |
| 3 | 0550006015 | POLYSTYRENE HALF-SHELL | |
| 4 | 0550006006 | TANK SECURING PLATE | |
| 5 | 0550006005 | TANK SECURING TIE-BOLT | |
| 6 | 3003001036 | THERMOSTAT SUPPORT | |
| 7 | VIT0000030 | SCREW TCB M4 x 7 | |
| 8 | VIT0003103 | WASHER tab D. 4.3 | |
| 9 | VIT0004503 | NUT M 4 | |
| 10 | ELE0000918 | REMOTE THERMOSTAT | |
| 11 | ELE0000957R | FP TEMPERATURE PROBE | |
| 12 | 0010018316 | R.H. SUPPORT | |
| 13 | 0010018317 | L.H. SUPPORT | |
| 14 | 0550004055 | REFRIGERANTED PLAN | |
| 15 | 0550004018 | POLYSTYRENE | |
| 16 | 0550004021 | REFRIGERANTING GROUP PROTECTION | |
| 17 | 0550004044 | FP THERMOSTAT PROTECTION | |
| 18 | 0810010047CL | REFRIG OUTLET PIPE TO VALVE E-H-FP ASSEMBLY | |
| 19 | 0810010062CL | VALVE PIPE W/SETTING TO REFRIGERATING INLET E/FP | |
| 100 | 0550003006CL | REFRIG. GROUP FP W/THERMOSTAT | assieme |
| 101 | 0550003008CL | REFRIGERATING GROUP WITH PROBE | assieme |



| Pos. | Code | Description |
|------|------------|----------------------------------|
| 1 | 0250009020 | SILICONE SLLEVE |
| 2 | 0250009021 | SPRAY NOZZLE |
| 3 | 0250009022 | O RING 51 X 4,5 SILICONE |
| 4 | 0250009018 | GEAR MOTOR |
| 5 | 0250009023 | WATER HOSE 4/2, 25MM, LEFT 380MM |
| 6 | 0250009024 | FAN |
| 7 | 0250009025 | FILTER ELEMENT |
| 8 | 0250009026 | WIPER |
| 9 | 0250009011 | COFFEE FILTER |
| 10 | 0250009012 | SPIGOT BREWER |

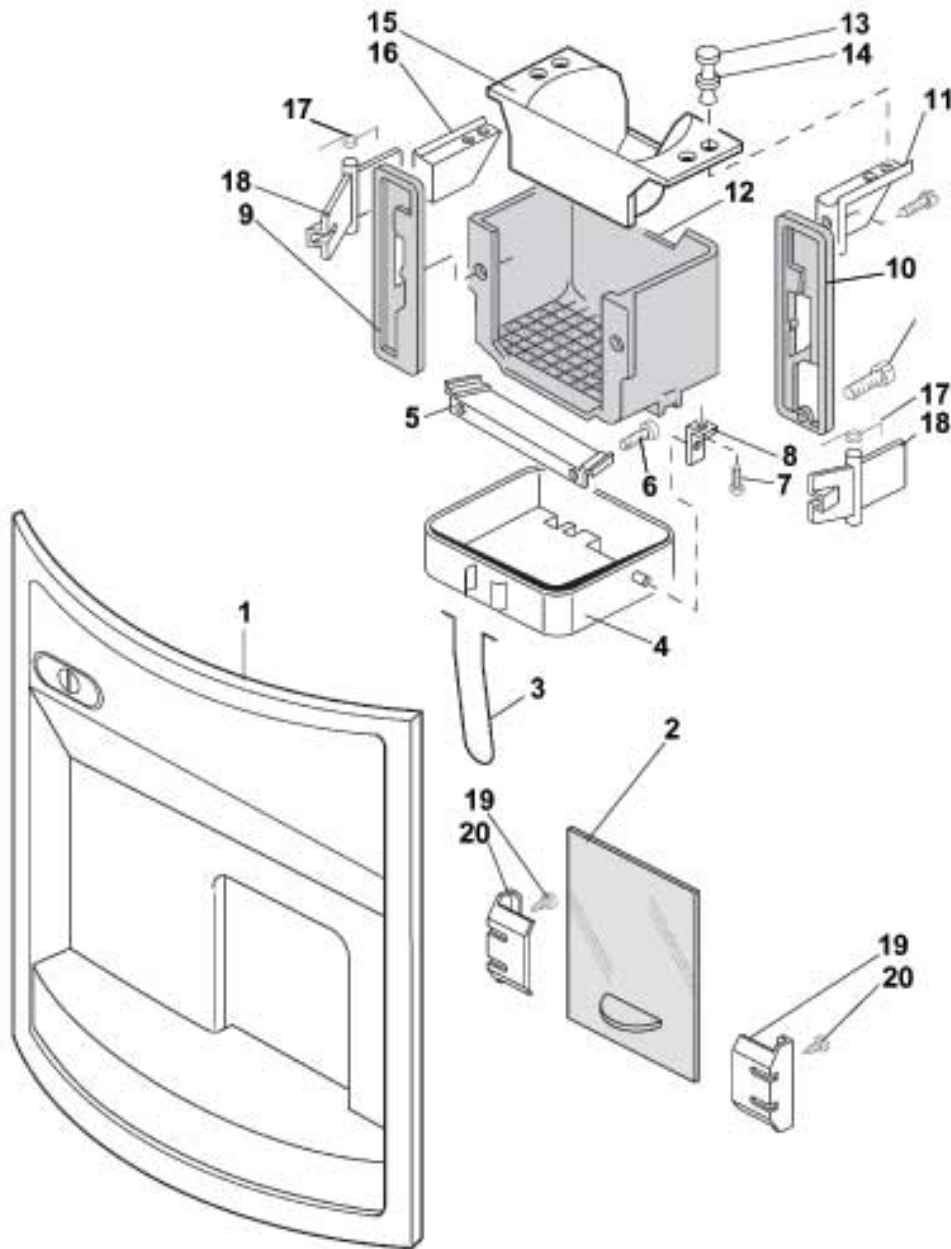


| Pos. | Code | Description |
|------|--------------|--------------------------------|
| 1 | 0010015455 | FG-BG H2O LUCE CABINET |
| 2 | 0010018071 | DISPENSER SECURING BRACKET |
| 3 | VIT0000236 | E.H SCREW M 6 x 11 + FR |
| 4 | ELE0055003CL | POWER PLUG - ASSEMBLY BLOCK |
| 5 | NL202100278 | LOWER LOCK PIN SECURING SQUARE |
| 6 | VIT0000013 | M 4x12 TCB SCREW |
| 7 | VIT0002401 | TAPPING SCREW TCB 3.5 x 9.5 |
| 8 | 0010018116 | SAFETY SWITCH SUPPORT |
| 9 | ELE0002009 | SAFETY SWITCH |
| 10 | 0270011109CL | SERVICE KEY ASSEMBLY |
| 11 | 0010023336 | CHOCK FIXING PLATE |
| 12 | TPE0000003 | LLDPE PIPE D. 6X8 TRANSPARENT |
| 13 | 0100005029 | STRAIGHT TERMINAL D.8 3/8 CIL. |
| 14 | 0100005064 | ELBOW MIDDLING D.8 |
| 15 | 0110020009 | EVERPURE FILTER SUPPORT |
| 16 | 0110020010 | CARTRIGE |
| 17 | 0010015504NA | FG-BG BOTTOM PROTECTION |
| 18 | CON0000201 | RECTANGULAR BIN |
| 19 | 0020018061 | BUTTON PLUG |
| 20 | 0120004376 | LUCE H2O FRONT PROTECTION |
| 21 | VIT0009152 | CONNECTION |
| 22 | VIT0009151 | PIN |
| 23 | VIT0003103 | WASHER tab D. 4.3 |
| 24 | VIT0004503 | NUT M 4 |
| 25 | 0010013208 | FEET |



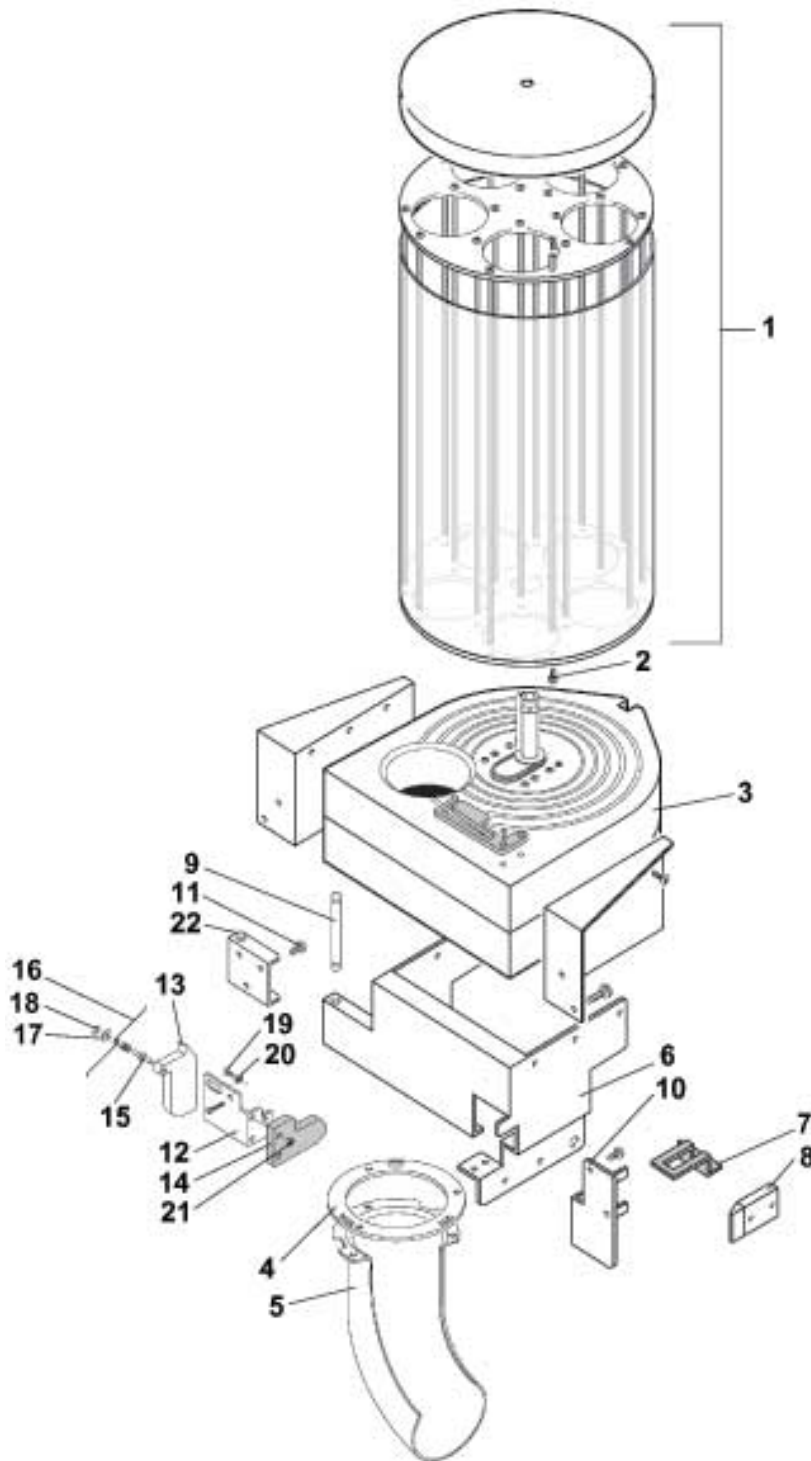
LUCE - LUCE SPAQA FRONT DOOR

| Pos. | Code | Description |
|------|-----------------------------------|------------------------------|
| 1 | 0020030155 | LUCE H2O FRONT DOOR |
| 2 | 0020034156 | DOOR HINGE BUSH |
| 3 | 0020034322 | UPPER SUPPORT WITH BRAND |
| | 0020034322CF | |
| | 0020034322CG | |
| | 0020034322CH | |
| | 0020034322CM | |
| | 0020034322CT | |
| | 0020034322NA | |
| 4 | 0020029914 | SECURING GLASS PROFILE |
| | 0020029914CF | |
| | 0020029914CG | |
| | 0020029914CH | |
| | 0020029914CM | |
| | 0020029914NA | |
| 5 | 0020029937 | UPPER PHOTO PROTECTION |
| 5/a | 1010065428 | LUCE SPAQA BB UPPER PHOTO |
| 6 | 0020029931 | OPALINE LOWER GLASS |
| 7 | 0020034309 | LAMP GUARD FIXATION |
| 8 | 0020034308 | UPPER LAMP PROTECTION |
| 9 | See table LUCE SPAQA CUPS STATION | |
| 10 | 1150003200CL | LOCK ASSEMBLY |
| 10/a | 1150003126 | LOCK SLEEVE |
| | 1150003126AE | |
| | 1150003126CF | |
| | 1150003126CG | |
| | 1150003126CH | |
| | 1150003126CM | |
| | 1150003126CN | |
| | 1150003126GF | |
| | 1150003126KE | |
| | 1150003126NA | |
| 10/b | 1150002112 | LOCK BODY |
| | 1150002112AE | |
| | 1150002112CF | |
| | 1150002112CG | |
| | 1150002112CH | |
| | 1150002112CM | |
| | 1150002112CN | |
| | 1150002112GF | |
| | 1150002112KE | |
| | 1150002112NA | |
| 10/c | 1150002111 | LOCK PIN |
| 10/d | 1150002113 | SPRING |
| 10/e | VIT00006508 | D.10 RADIAL STOP RING |
| 10/f | VIT00005203 | 4 x 18 CYLINDRICAL PIN |
| 10/g | SER00000003 | G 5 TUBULAR LOCK |
| 10/h | 0020029439 | LOCK BRACKET |
| 10/i | VIT0000208 | M 5x10 H.H. SCREW |
| 10/l | VIT00003302 | 5.5x12x1.5 FLAT WASHER |
| 10/m | VIT00003104 | WASHER tab D. 5.1 |
| 11 | 0020029915 | SECURING GLASS PROFILE |
| | 0020029915CF | |
| | 0020029915CG | |
| | 0020029915CH | |
| | 0020029915CM | |
| | 0020029915NA | |
| 12 | 0020029938 | LOWER PHOTO PROTECTION |
| 12/a | 1010065429 | UPPER PHOTO PROTECTION |
| 13 | 0020029933 | OPALINE LOWER GLASS |
| 14 | 0020029438 | LOWER LAMP GUARD FIXATION |
| 15 | 0020029419 | LOWER PHOTO PROTECTION |
| 16 | 0020031538NA | |
| 17 | VIT00002401 | TAPPING SCREW TCB 3.5 x 9.5 |
| 18 | 0020034282 | GLASS CONVEX STIFFENING |
| 19 | 0020029960 | UPPER LAMP SUPPORT |
| 20 | 0020029961 | LOWER LAMP SUPPORT |
| 21 | ELE0009023 | 13W ELECTRONIC IGNITION LAMP |
| 22 | ELE0009022 | 8W ELECTRONIC IGNITION LAMP |
| 23 | VIT0007102 | BENZING-QUICKLOCK |
| 24 | 0020034172 | DOOR STOP ROD |
| 25 | 0020034173 | PIN FOR DOOR STOP ROD |
| 26 | 0270011452 | CONTRAST SQUARE |
| 27 | 0020029435 | LOCK PIN GUIDE |
| 28 | 0020030164 | CENTRAL LOCK PIN GUIDE |
| 29 | 0020030165 | LUCE H2O PIN LOCK |
| 30 | 2100002007 | CUPS LOADER SPRING |
| 31 | 0020034281 | ROUNDED LOWER SUPPORT |
| | 0020034281CF | |
| | 0020034281CG | |
| | 0020034281CH | |
| | 0020034281CM | |
| | 0020034281CT | |
| | 0020034281NA | |



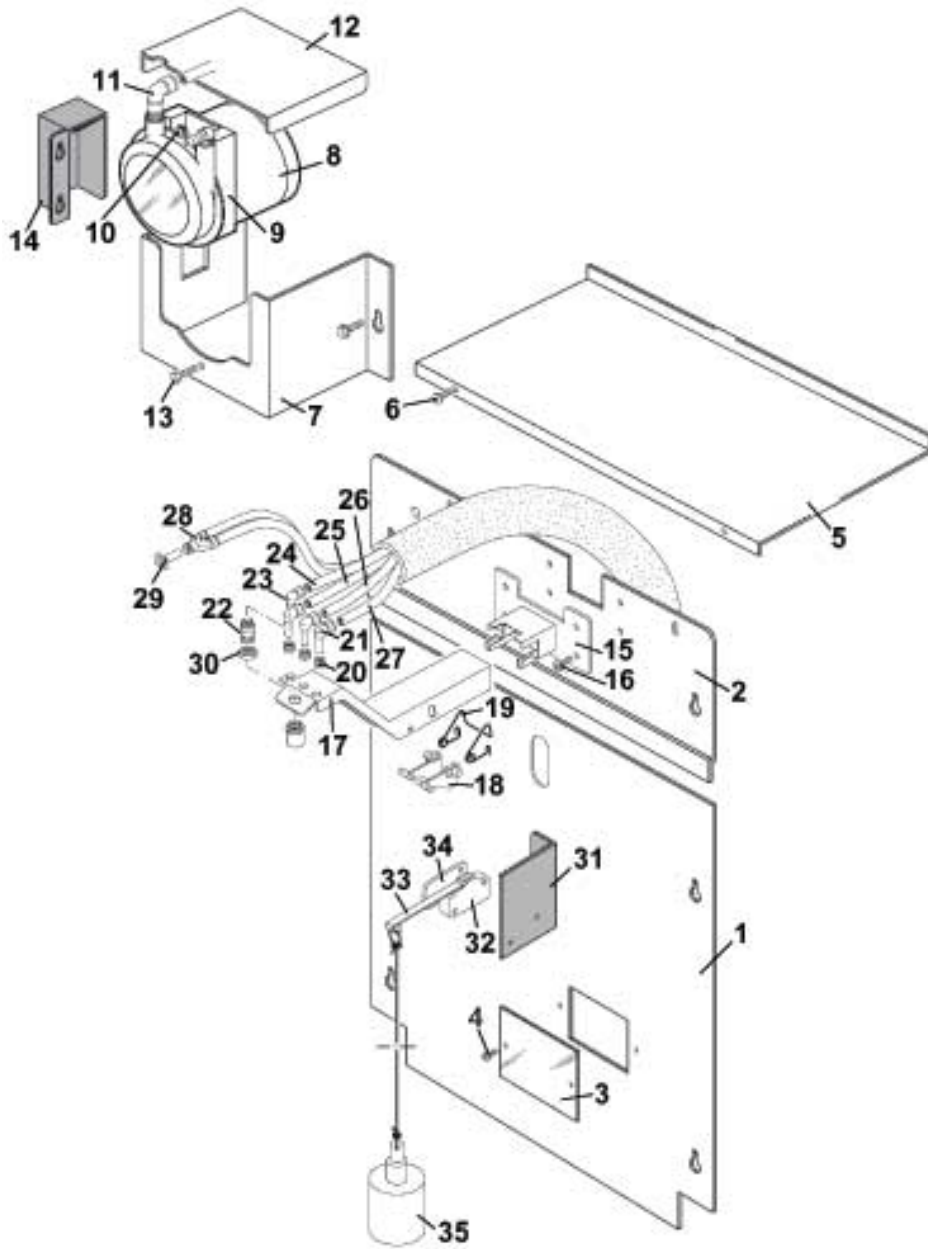
LUCE - LUCE SPAQA CUPS STATION

| Pos. | Code | Description | |
|------|--------------|----------------------------|---|
| 1 | 040008433 | CUPS STATION FRAME | |
| | 040008433CF | | |
| | 040008433CG | | |
| | 040008433CH | | |
| | 040008433CM | | |
| | 040008433NA | | |
| 2 | 040008009 | CUPS STOP HATCH | |
| 3 | 0150001053 | FEEDER COUNTERPART | |
| 4 | 0150001052 | FEEDER | * |
| | 0150001052CA | | |
| | 0150001052CB | | |
| | 0150001052NA | | |
| 5 | 0150001056 | DRIP TRAP | |
| 6 | VIT0002452 | TAPPING SCREW TCB 3.5 x 12 | |
| 7 | VIT0002001 | 2.9x 6.5 TAPPING TCB SCREW | |
| 8 | 040008101 | FEEDER SUPPORT | * |
| | 040008101CA | | |
| | 040008101CB | | |
| | 040008101NA | | |
| 9 | 040007027 | R.H. SUPPORT | * |
| | 040007027CA | | |
| | 040007027CB | | |
| | 040007027IC | | |
| | 040007027NA | | |
| | 040007027PG | | |
| 10 | 040007014 | L.H. SUPPORT | * |
| | 040007014CA | | |
| | 040007014CB | | |
| | 040007014IC | | |
| | 040007014NA | | |
| | 040007014PG | | |
| 11 | 040006026 | L.H. BRACKET | |
| | 040006026CA | | |
| | 040006026NA | | |
| 12 | 040007003 | CUP STOP SUPPORT | * |
| | 040007003CA | | |
| | 040007003CB | | |
| | 040007003IC | | |
| | 040007003NA | | |
| | 040007003PG | | |
| 13 | VIT0007105 | BUTTON | |
| 14 | VIT0007104 | BUSH | |
| 15/a | 040006033 | CUP SUPPORT | |
| | 040006033CA | | |
| | 040006033IC | | |
| | 040006033NA | | |
| | 040006033PG | | |
| 15/b | 040008775 | CUP SUPPORT | |
| 16 | 040006011 | R.H. BRACKET | |
| | 040006011CA | | |
| | 040006011NA | | |
| 17 | 040007021 | LOCKING SPRING | |
| 18 | 040007017 | LOCKING PLATE | * |
| | 040007017CA | | |
| | 040007017CB | | |
| | 040007017NA | | |
| | 040007017PG | | |
| 19 | 0020034168 | | |
| | 0020034168CB | | |
| | 0020034168NA | | |



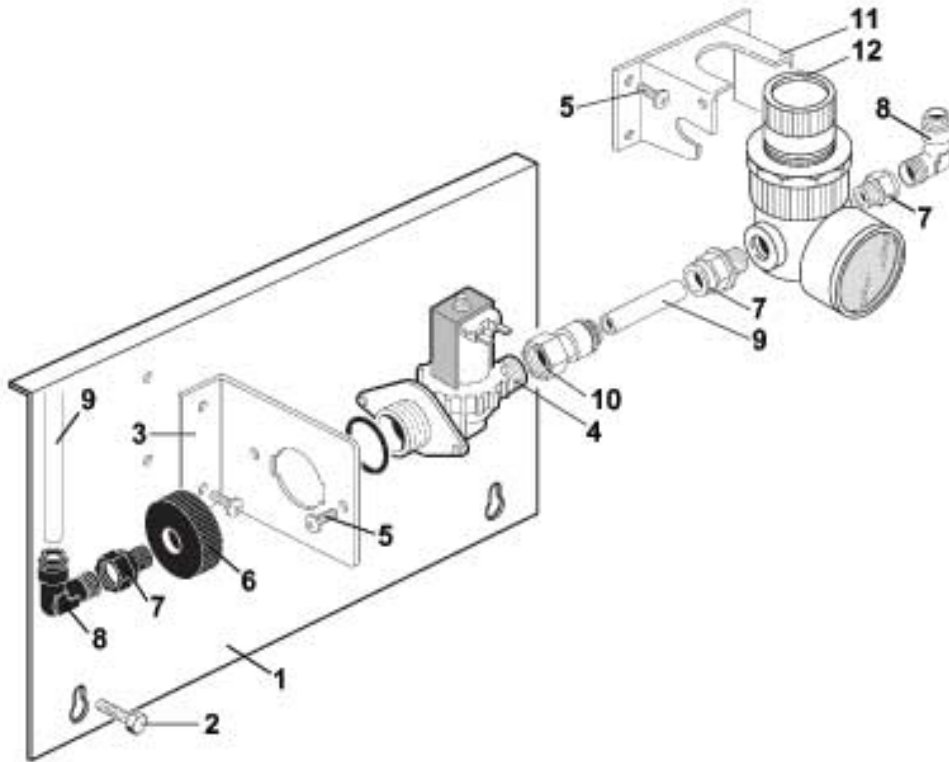
LUCE - LUCE SPAQA CUPS LOADER

| Pos. | Code | Description |
|------|--------------|--------------------------------|
| 1/a | 0180012541 | LUCE H2O TOWER CUPS |
| 1/b | 0180012542 | LUCE H2O TOWER CUPS |
| 2 | VIT0002009 | TAPPING SCREW T.C.B. 3,5 x 6,5 |
| 3/a | 0190013103 | CUPS DISPENSER H2O |
| 3/b | 0190013101 | CUPS DISPENSER H2O |
| 4 | 0180012527 | H2O CUPS CHUTE FLANGE |
| 5/a | 0180012526 | H2O CUPS CHUTE |
| 5/b | 0180012529 | H2O CUPS CHUTE |
| 6 | 0020030182 | CLOSED STATION CUPS SUPPORT |
| 7 | 0020030174 | STOPPED ADJUSTABLE SQUARE |
| 8 | 0020030178 | SLIDING BLOCK |
| 9 | 0020030175 | HINGE PIN |
| 10 | 0020030177 | SLIDING BLOCK LINE |
| 11 | VIT0000236 | E.H SCREW M 6 x 11 + FR |
| 12 | 0020030171 | CUPS LOADER COUPLER SUPPORT |
| 13 | 0020018227 | |
| | 0020018227NA | |
| 14 | 0020018241 | LOADER SUPPORTING PLATE |
| 15 | 0020018234 | CONNECTING PLATE PIN |
| 16 | 0020018237 | CONNECTING SPRING |
| 17 | VIT0003004 | 5.3x10x1 WASHER |
| 18 | VIT0006502 | D.3.2 RADIAL STOP RING |
| 19 | VIT0000003 | M 3x8 TCB SCREW |
| 20 | VIT0003102 | WASHER tab D. 3.2 |
| 21 | VIT0004502 | M3 NUT |
| 22 | 0020030179 | CUPS LOADER HINGE SUPPORT |



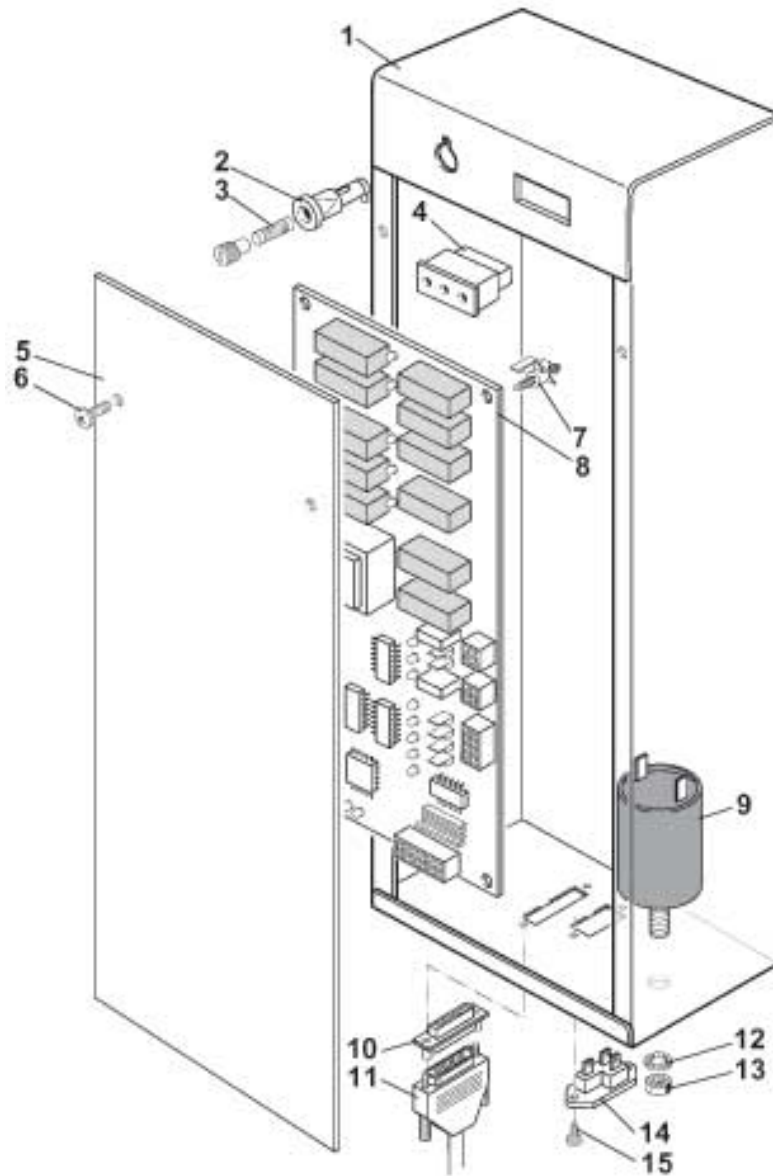
LUCE - LUCE SPAQA PIPES MOVEMENT

| Pos. | Code | Description |
|------|-------------|-------------------------------------|
| 1 | 0010015461 | FRONT PROTECTION |
| 2 | 0010015511 | CO2 PIPE ANTEARING PASSAGE |
| 3 | 0550004044 | FP THERMOSTAT PROTECTION |
| 4 | VIT0002003 | 3.5x 9.5 TAPPING TCB SCREW |
| 5 | 0010015465 | UPPER COVER |
| 6 | VIT0000236 | E.H SCREW M 6 x 11 + FR |
| 7 | 0010015492 | PUMP SUPPORT |
| 8 | 0110004034 | PUMP MOD. 03.540 |
| 9 | 0550060015 | PUMP SPACER |
| 10 | VIT0002401 | TAPPING SCREW TCB 3.5 x 9.5 |
| 11 | 0100005064 | ELBOW MIDDLE D.8 |
| 12 | 0010015493 | PUMP SUPPORT COVER |
| 13 | VIT0000030 | SCREW TCB M4 x 7 |
| 14 | 0010015506 | PUMP CABLE PROTECTION CARTER |
| 15 | 0380011457 | H2P PRODUCT PIPE SUPPORT |
| 16 | VIT0002010 | 3,5x9,5 TAPPING SCREW WITHOUT POINT |
| 17 | 0380011453 | H2O CLOSED STATION PIPE SUPORT |
| 18 | 0380010599 | KEY PIPES MOVEMENT |
| 19 | 0380010629 | KEY PIPES MOVEMENT |
| 20 | GUA0010003 | BLACK CHOCK RUBBER 7522 |
| 21 | 0100005067 | ELBOW WITH TANG D. 8 |
| 22 | 0100005030 | STRAIGHT TERMINAL D.6 1/8 CIL. |
| 23 | 0100005068 | ELBOW WITH TANG D. 6 |
| 24 | TPE0000004 | LLDPE TRANSPARENT PIPE D.4x6 |
| 25 | TPE0000001 | LLDPE BLUE PIPE D.6x8 |
| 26 | TPE0000002 | LLDPE BLACK PIPE D.6x8 |
| 27 | TPE0000003 | LLDPE PIPE D. 6X8 TRANSPARENT |
| 28 | 0100005069 | Y MIDDLE D.8 |
| 29 | 0100005047 | PLUG D.8 |
| 30 | 0010015487 | UNION FOR H2O FG-BG |
| 31 | 0010015517 | AFLOAT MICRO SUPPORT |
| 32 | ELE0001522 | 1-WAY 16 A 250 V MICROSWITCH |
| 33 | NL201106265 | MICRO LEVER |
| 34 | 4600010014 | MICRO SPACER |
| 35 | 0070003022 | FLOATER ASSEMBLY |



LUCE - LUCE SPAQA WATER INLET

| Pos. | Code | Description |
|------|------------|----------------------------------|
| 1 | 0010015496 | EV SUPPORT- PRESSURE REDUCTION |
| 2 | VIT0000236 | E.H SCREW M 6 x 11 + FR |
| 3 | 0010015497 | EV SUPPORT |
| 4 | 0110001101 | H2O INLET EV 24DC |
| 5 | VIT0000030 | SCREW TCB M4 x 7 |
| 6 | 0100005048 | ADAPTER 3/4F - 1/4F |
| 7 | 0100005031 | STRAIGHT TERMINAL D.8 1/4 CIL. |
| 8 | 0100005067 | ELBOW WITH TANG D. 8 |
| 9 | TPE0000003 | LLDPE PIPE D. 6X8 TRANSPARENT |
| 10 | 0100005032 | STRAIGHT TERMINAL D.8 - 1/4 F. |
| 11 | 0010015494 | PRESSURE REDUCTOR SUPPORT |
| 12 | 0110003007 | WATER MICROREGULATOR 1/4 0-8 bar |



LUCE - LUCE SPAQA CONTROL PANEL

| Pos. | Code | Description |
|------|------------|--|
| 1 | 0130012015 | CONTROL PANEL STRUCTURE |
| 2 | ELE0003507 | FUSES HOLDER |
| 3 | ELE0003023 | 4 A 6.3x32 SLOW-BLOW CERAMIC TYPE FUSE |
| 4 | ELE0002305 | 10 A 250 V SOCKET |
| 5 | 0130012017 | CONTROL PANEL COVER |
| 6 | VIT0002401 | TAPPING SCREW TCB 3.5 x 9.5 |
| 7 | ELE0062008 | BOARD SUPPORT |
| 8 | SCH0005300 | H2O 03 MODULE |
| 9 | ELE0009055 | ANTIPARASITIC FILTER |
| 10 | ELT0030594 | KOSMOLOGIK CONTROL BOARD LINK |
| 11 | ELE0056007 | 9 POLES CABLE |
| 12 | VIT0003106 | WASHER tab D. 8 |
| 13 | VIT0004506 | M 8 NUT |
| 14 | ELE0002312 | IEC 10A 250V SOCKET |
| 15 | VIT0002009 | TAPPING SCREW T.C.B. 3,5 x 6,5 |