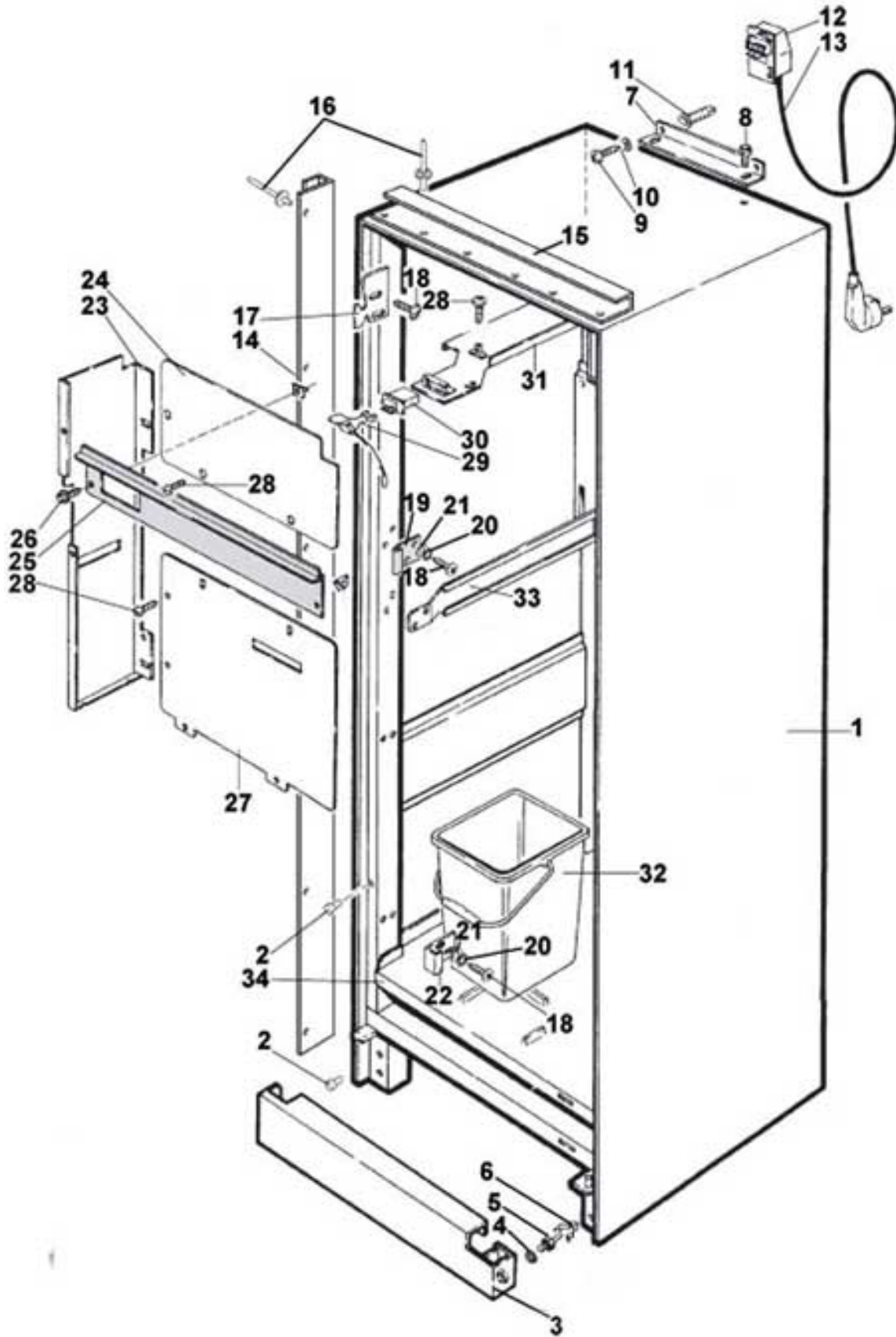


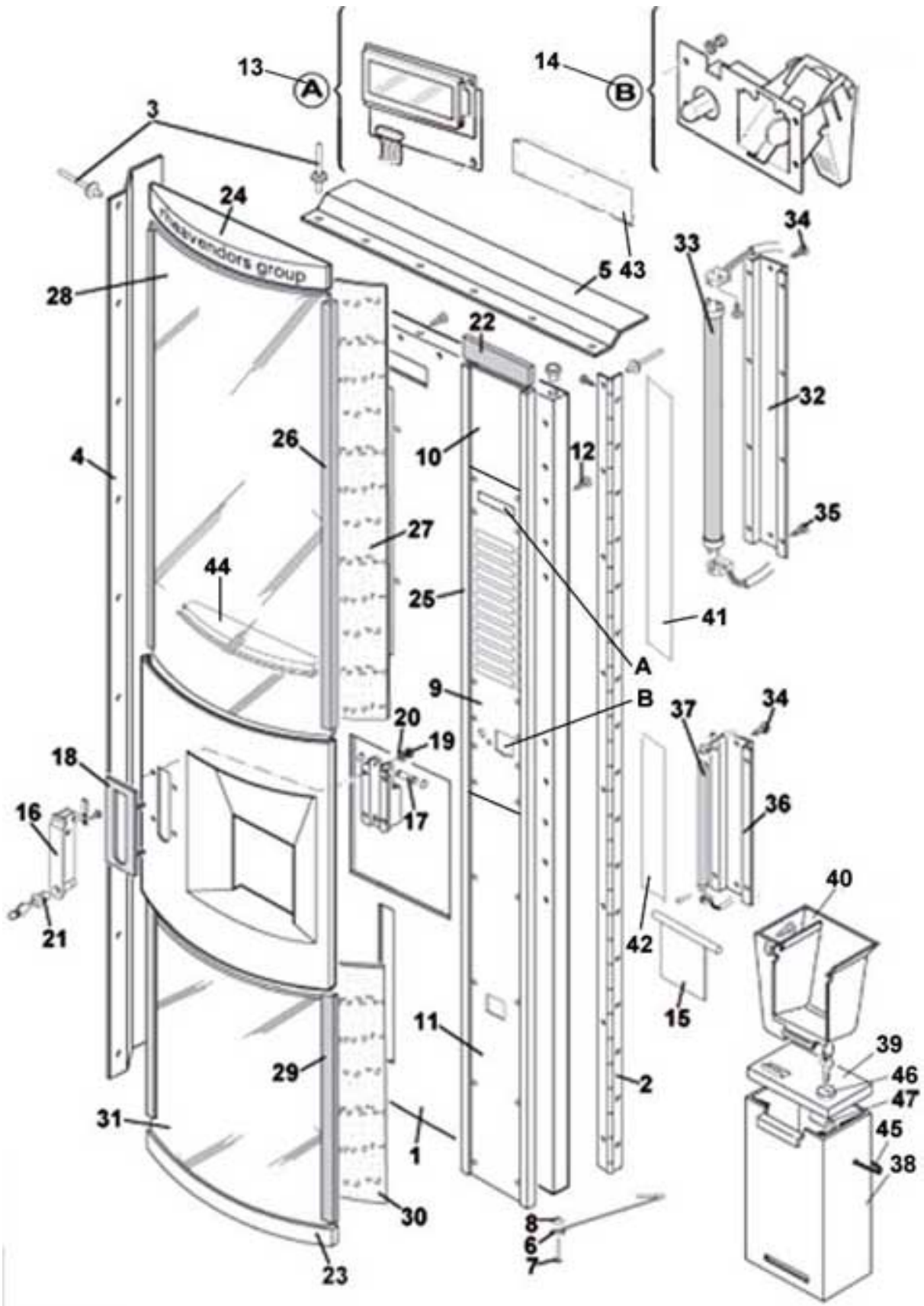
vending machine

[LUCE PUBLICO]

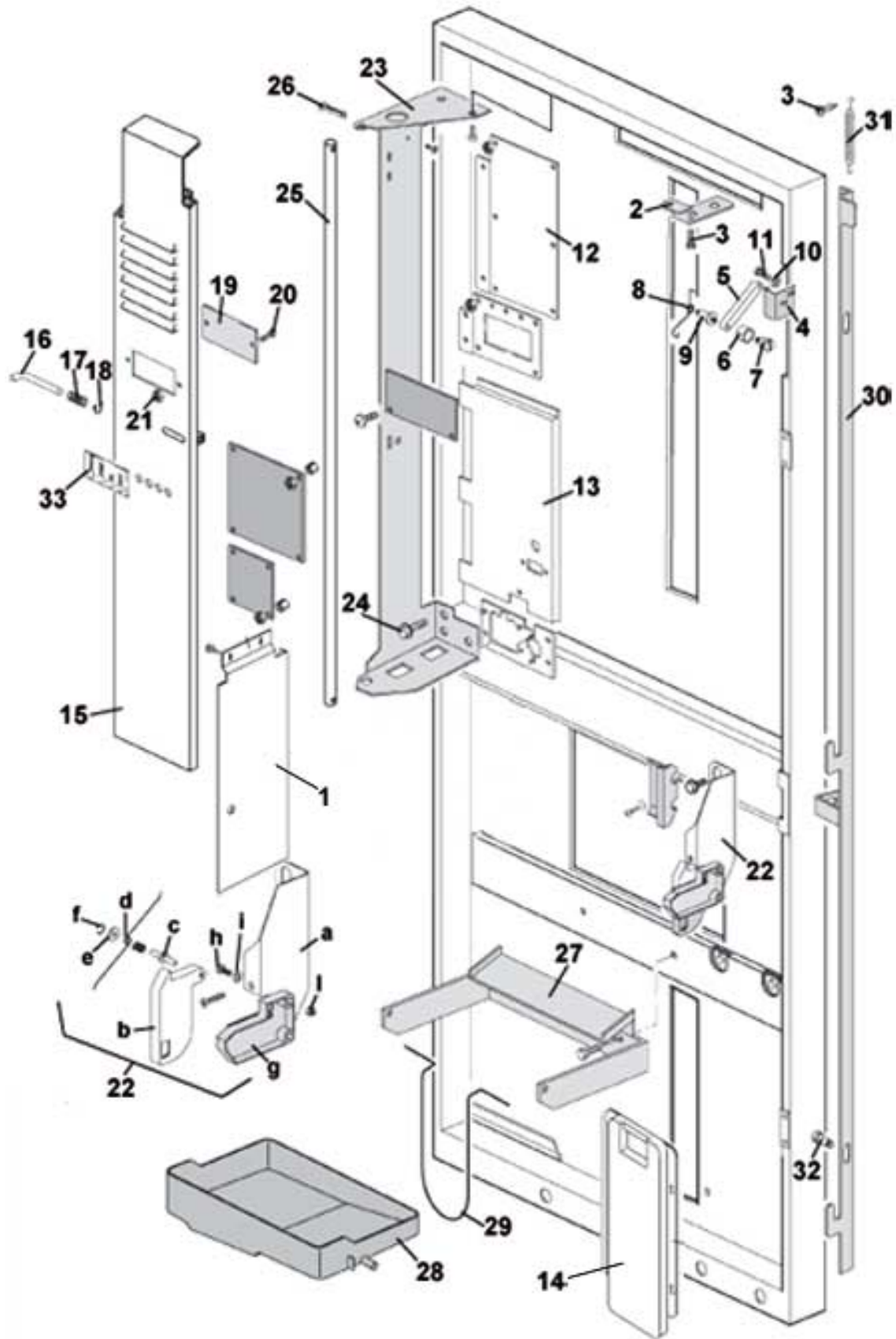
spare parts manual



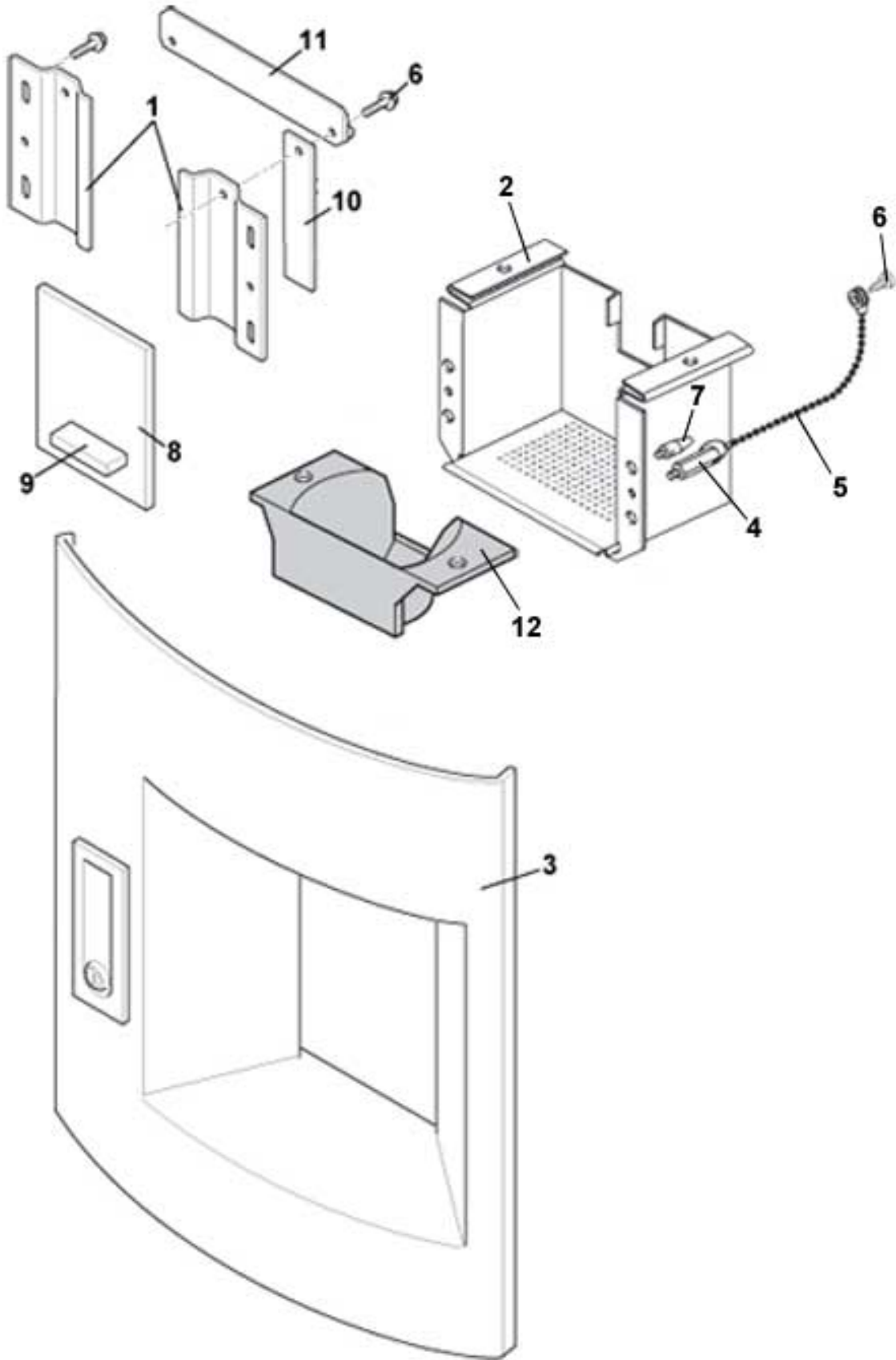
Pos.	Code	Description
1	0010015605	COMPLETE CABINET
2	0020018061	BUTTON PLUG
3	0120004395	FRONT PROTECTION
4	VIT0004503	NUT M 4
5	VIT0009151	PIN
6	VIT0009152	CONNECTION
7	0010018071	DISPENSER SECURING BRACKET
8	VIT0000236	E.H SCREW M 6 x 11 + FR
9	VIT0002022	5.5x 60 TAPPING TCB SCREW
10	VIT0003303	WASHER D.6,5 x 18 x 1,5
11	VIT0010701	TPF 8 x 50 DOWEL
12	ELE0002410	EXTERNAL TRIPOLAR TERMINAL BLOCK
13	ELE0055003CL	POWER PLUG - ASSEMBLY BLOCK
14	0010015207	CABINET SIDE PROTECTION
15	0010015228	CABINET UPPER PROTECTION
16	VIT0007030	COPPER RIVET D. 4,8
17	0010015233	DOOR SUPPORTING PLATE
18	VIT0000014	M 4x16 TCB SCREW
19	0010015232	MIDDLE LOWER LOCK PIN BRACKET
20	VIT0003103	WASHER tab D. 4.3
21	VIT0003301	WASHER D.12 x 4.3 x 1.5
22	0010015231	LOWER LOCK PIN BRACKET
23	0010015143	BOILER SIDE PROTECTION
24	0010015145	STAINLESS STEEL BOILER UPPER PROTECTION
25	0010013181	CONTAINERS SUPPORT
26	VIT0000236	E.H SCREW M 6 x 11 + FR
27	0010015144	BOILER PROTECTION
28	VIT0000030	SCREW TCB M4 x 7
29	0270011109CL	SERVICE KEY ASSEMBLY
30	ELE0002009	SAFETY SWITCH
31	0010018116	SAFETY SWITCH SUPPORT
32	CON0000201	RECTANGULAR BIN
33	0010015141	BOILER LOWER BRACKET
34	0010015132NA	BOTTOM PROTECTION



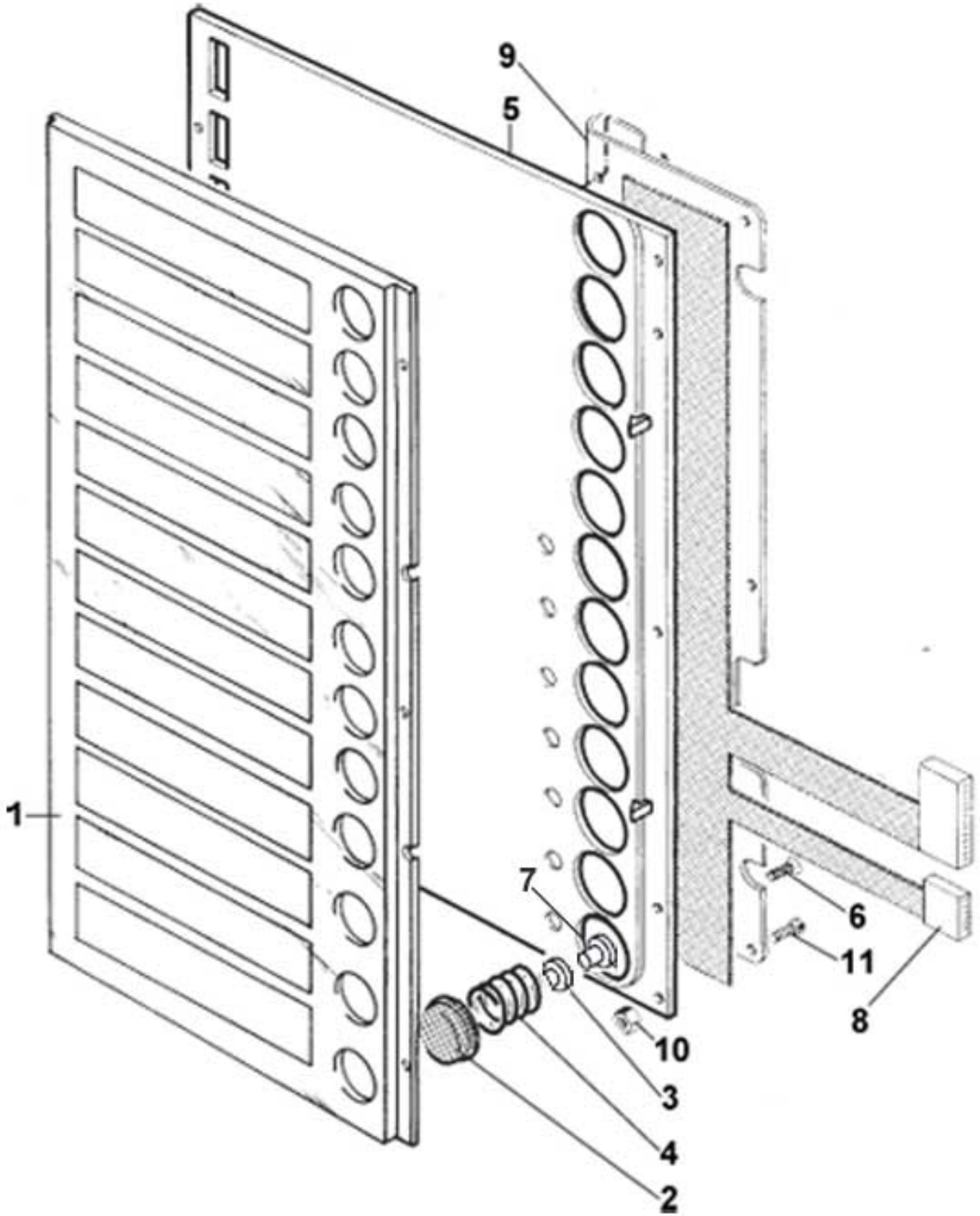
Pos.	Code	Description
1	0020029955	DOOR ASSEMBLY
2	0020029912/L	HINGE
3	VIT0007030	COPPER RIVET D. 4.8
4	0020029731	DOOR EXTERNAL LATERAL PROFILE
5	0020029732	DOOR EXTERNA UPPER PROTECTION
6	0020029944	DOOR STOP PIN
7	0020034173	PIN FOR DOOR STOP ROD
8	VIT0007102	BENZING-QUICKLOCK
9	0020029947	COIN MECHANISM UPPER SUPPORT
10	0020029949	UPPER NEUTRAL PLATE
11	0020029916	COIN MECHANISM LOWER SUPPORT
12	0020029743	ROUNDED HEAD SCREW M 4 x 10
13		
14	0020029935	COIN INLET
15	0020026524	COIN RETURN HATCH
16	0020029936	COMPLETE HANDLE WITH RIELDA LOCK
17	1150003477	LOCK PIN
18	0020029939	LOCK HANDLE FRAME
19	VIT0004504	M 4 NUT
20	VIT0003004	5.3x10x1 WASHER
21	SER0000348	USE KEY
22	0020034278	MODULES UPPER SUPPORT
	0020034278CG	MODULES UPPER SUPPORT LIGHT GREY RAL 7035
	0020034278CH	MODULES UPPER SUPPORT AGATA GREY RAL 7038
	0020034278CK	MODULES UPPER SUPPORT DUST GRAY RAL 7037
	0020034278CM	MODULES UPPER SUPPORT MERCEDES GREY RAL 9006
	0020034278CT	MODULES UPPER SUPPORT OPAQUE MERCEDES GREY RAL 9006
	0020034278KA	MODULES UPPER SUPPORT SIGNAL RED RAL 3020
	0020034278KF	MODULES UPPER SUPPORT RUBY RED RAL 3003
	0020034278NA	MODULES UPPER SUPPORT BLACK
23	0020034281	ROUNDED LOWER SUPPORT
	0020034281CF	ROUNDED LOWER SUPPORT ANTHRACITE GREY RAL 7016
	0020034281CG	ROUNDED LOWER SUPPORT LIGHT GREY RAL 7035
	0020034281CH	ROUNDED LOWER SUPPORT AGATA GREY RAL 7038
	0020034281CM	ROUNDED LOWER SUPPORT MERCEDES GREY RAL 9006
	0020034281CT	ROUNDED LOWER SUPPORT OPAQUE MERCEDES GREY RAL 9006
	0020034281NA	ROUNDED LOWER SUPPORT BLACK
24	0020034322	UPPER SUPPORT WITH BRAND
	0020034322CF	UPPER SUPPORT WITH BRAND ANTHRACITE GREY RAL 7016
	0020034322CG	UPPER SUPPORT WITH BRAND LIGHT GREY RAL 7035
	0020034322CH	UPPER SUPPORT WITH BRAND AGATA GREY RAL 7038
	0020034322CM	UPPER SUPPORT WITH BRAND MERCEDES GREY RAL 9006
	0020034322CT	UPPER SUPPORT WITH BRAND OPAQUE MERCEDES GREY RAL 9006
	0020034322NA	UPPER SUPPORT WITH BRAND BLACK
25	0020029918	VERTICAL SECURING PROFILE mm 1616
26	0020029918	SECURING GLASS PROFILE
	0020029914CF	SECURING GLASS PROFILE ANTHRACITE GREY RAL 7016
	0020029914CG	SECURING GLASS PROFILE LIGHT GREY RAL 7035
	0020029914CH	SECURING GLASS PROFILE AGATA GREY RAL 7038
	0020029914CM	SECURING GLASS PROFILE MERCEDES GREY RAL 9006
	0020029914CT	SECURING GLASS PROFILE OPAQUE MERCEDES GREY RAL 9006
	0020029914NA	SECURING GLASS PROFILE BLACK
27	0020029931	OPALINE LOWER GLASS
28	0020029937	UPPER PHOTO PROTECTION
29	0020029915	SECURING GLASS PROFILE
	0020029915CF	SECURING GLASS PROFILE ANTHRACITE GREY RAL 7016
	0020029915CG	SECURING GLASS PROFILE LIGHT GREY RAL 7035
	0020029915CH	SECURING GLASS PROFILE AGATA GREY RAL 7038
	0020029915CM	SECURING GLASS PROFILE MERCEDES GREY RAL 9006
	0020029915CT	SECURING GLASS PROFILE OPAQUE MERCEDES GREY RAL 9006
	0020029915NA	SECURING GLASS PROFILE BLACK
30	0020029933	OPALINE LOWER GLASS
31	0020029938	LOWER PHOTO PROTECTION
32	0020029960	UPPER LAMP SUPPORT
33	ELE0009023	13W ELECTRONIC IGNITION LAMP
34	VIT0000003	M 3x8 TCB SCREW
35	VIT0002401	SCREW TCB 3.5 x 9.5
36	0020029961	LOWER LAMP SUPPORT
37	ELE0009022	8W ELECTRONIC IGNITION LAMP
38	0030006105	COIN SHEET COVER
39	0030006006	COIN BOX COVER
40	0020029924	COIN ACCEPTANCE/RETURN CHUTE
41	0020034308	UPPER LAMP PROTECTION
42	0020029419	LOWER PHOTO PROTECTION
43	0020029942	HOUSING CLOSING SHEET
44	0020034282	GLASS CONVEX STIFFENING
45	4060010113	COIN BOX HOOK
46	SER0000010	BOX 5 RAPID EXTENSION LOCK
47	SER0001005	LOCK BRACKET



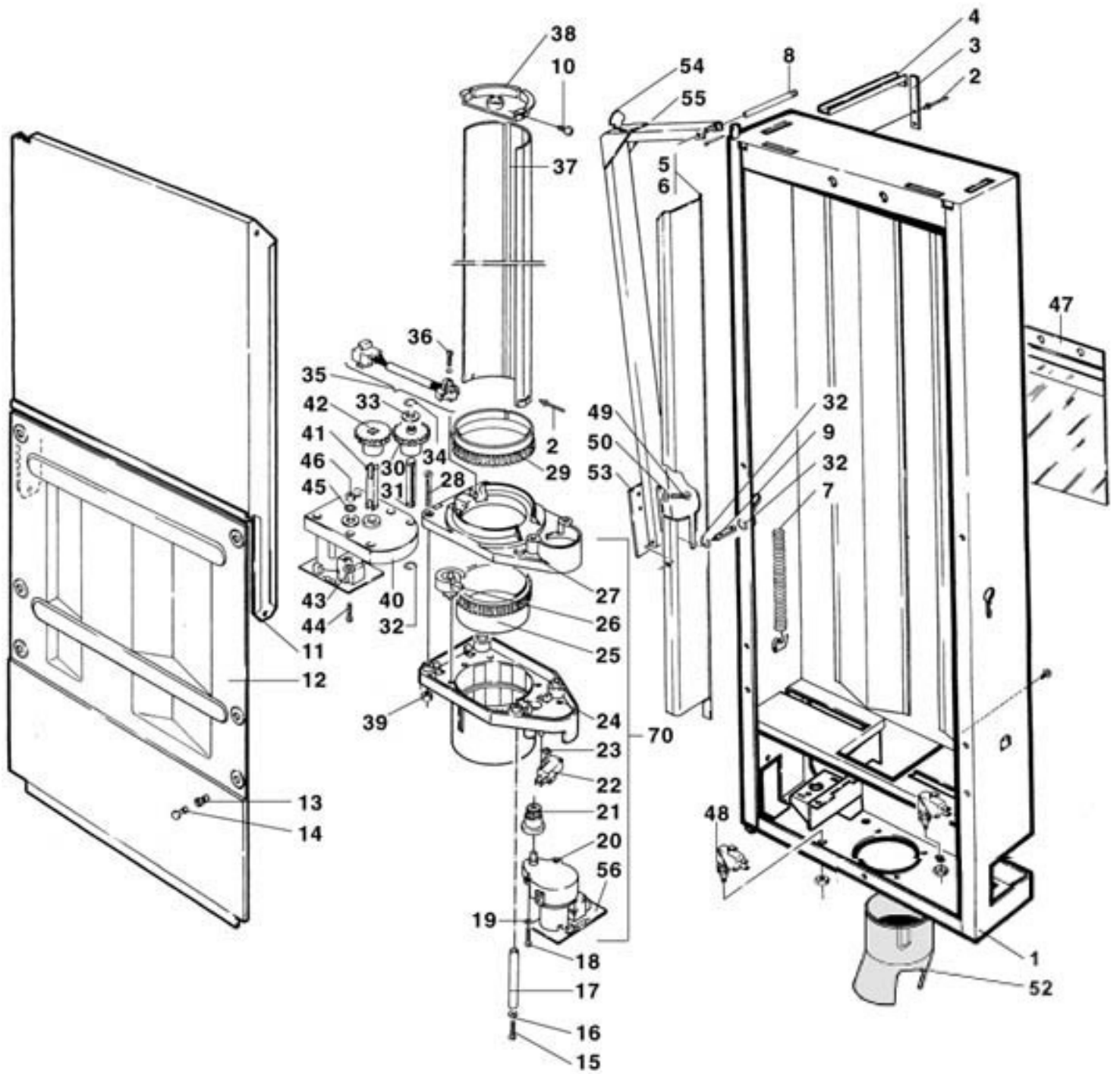
Pos.	Code	Description
1	0020029736	COIN BOX PROTECTION
2	0270011452	CONTRAST SQUARE
3	VIT0002401	SCREW TCB 3.5 x 9.5
4	NL202100275	UPPER LOCK PIN SECURING SQUARE
5	0010018026	DOOR CENTERING LEVER
6	0010015125	LEVER PIN ROLL
7	0010018028	DOOR CENTRERING ROLL PIN
8	NL202100285	LEVER RETURN SPRING
9	NL202100276	DOOR CENTERING LEVER PIN
10	VIT0003302	5.5x12x1.5 FLAT WASHER
11	VIT0000205	SCREW TE M4x10
12	0020029946	PIASTRA SISTEMI DI PAGAMENTO
13	0020034299	CPU BOARD SUPPORT
14	0020031538	BLACK LOWER PHOTO PROTECTION
	0020031538NA	BLACK LOWER PHOTO PROTECTION BLACK
15	0020029612	COIN BOX PROTECTION (for new electronics version)
16	0020026335	LOCK
17	4001003301	CONTAINER SECURING PIN SPRING
18	VIT0006502	D.3.2 RADIAL STOP RING
19	0020031141	DATA AUDIT BOARD FILTER
20	VIT0000030	SCREW TCB M4 x 7
21	VIT0004503	NUT M 4
22	0020022626R	CUPS LOADER CONNECTION ASSEMBLY
22/a	0020022626	CUPS LOADER SUPPORT
22/b	0020018227	
	0020018227NA	BLACK
22/c	0020018234	CONNECTING PLATE PIN
22/d	0020018237	CONNECTING SPRING
22/e	VIT0003004	5.3x10x1 WASHER
22/f	VIT0006502	D.3.2 RADIAL STOP RING
22/g	0020018241	LOADER SUPPORTING PLATE
22/h	VIT0000003	M 3x8 TCB SCREW
22/i	VIT0003102	WASHER tab D. 3.2
22/l	VIT0004502	M3 NUT
23	0020029434	CUPS LOADER SUPPORT
24	VIT0000236	E.H SCREW M 6 x 11 + FR
25	0180011818	CUPS LOADER HINGE PIN
26	VIT0006004	1.5x15 PIN
27	0150001107	FEEDER SUPPORT
28	0150001104	LIQUIDS COLLECTION TRAY
	0150001104NA	LIQUIDS COLLECTION TRAY BLACK
	0150001104NB	LIQUIDS COLLECTION TRAY SELFESTINGUSHING BLACK
29	0150001105	FEEDER COUNTERPART
30	1150003476	LOCK PIN
31	2100002007	CUPS LOADER SPRING
32	0020029923	LOCK PIN SECURING SCREW
33	0020029637	WASHING PROGRAM KEYBOARD LABEL



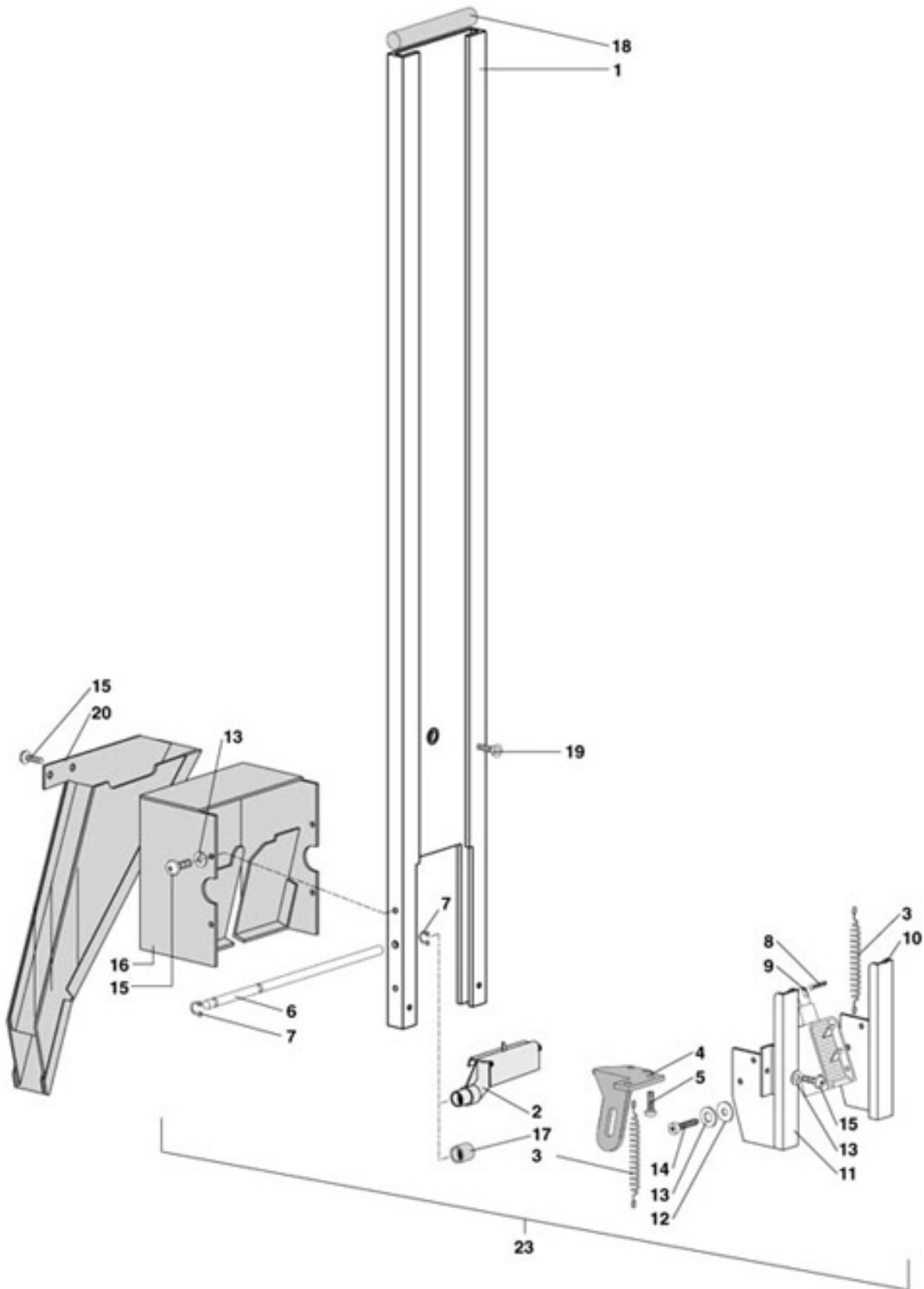
Pos.	Code	Description
1	0020029717	CUP STATION SECURING GUIDE
2	0400008486	CUP STOP SUPPORT
3	0400008475	CUP STOP FRAME
4	0400008485	CUP STATION SECURING PIN
5	VIT0010101	SMALL CHAIN D. 3,2
6	VIT0002401	SCREW TCB 3.5 x 9.5
7	0400008215	CUP STATION CENTERING PIN
8	0400008483	CUPS STOP HATCH
9	0400008484	CUP STATION HANDLE
10	0020029715	HATCH GUIDE
11	0020029722	CUPS SUPPORT GUIDE
12	0400006033	CUP SUPPORT
	0400006033CA	CUP SUPPORT DOVE GREY RAL 7006
	0400006033IC	CUP SUPPORT ORANGE RAL 2011
	0400006033NA	CUP SUPPORT BLACK
	0400006033PG	CUP SUPPORT BRIGHT BLUE RAL 5012



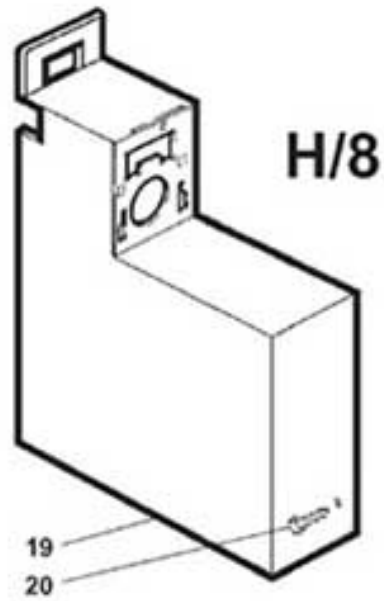
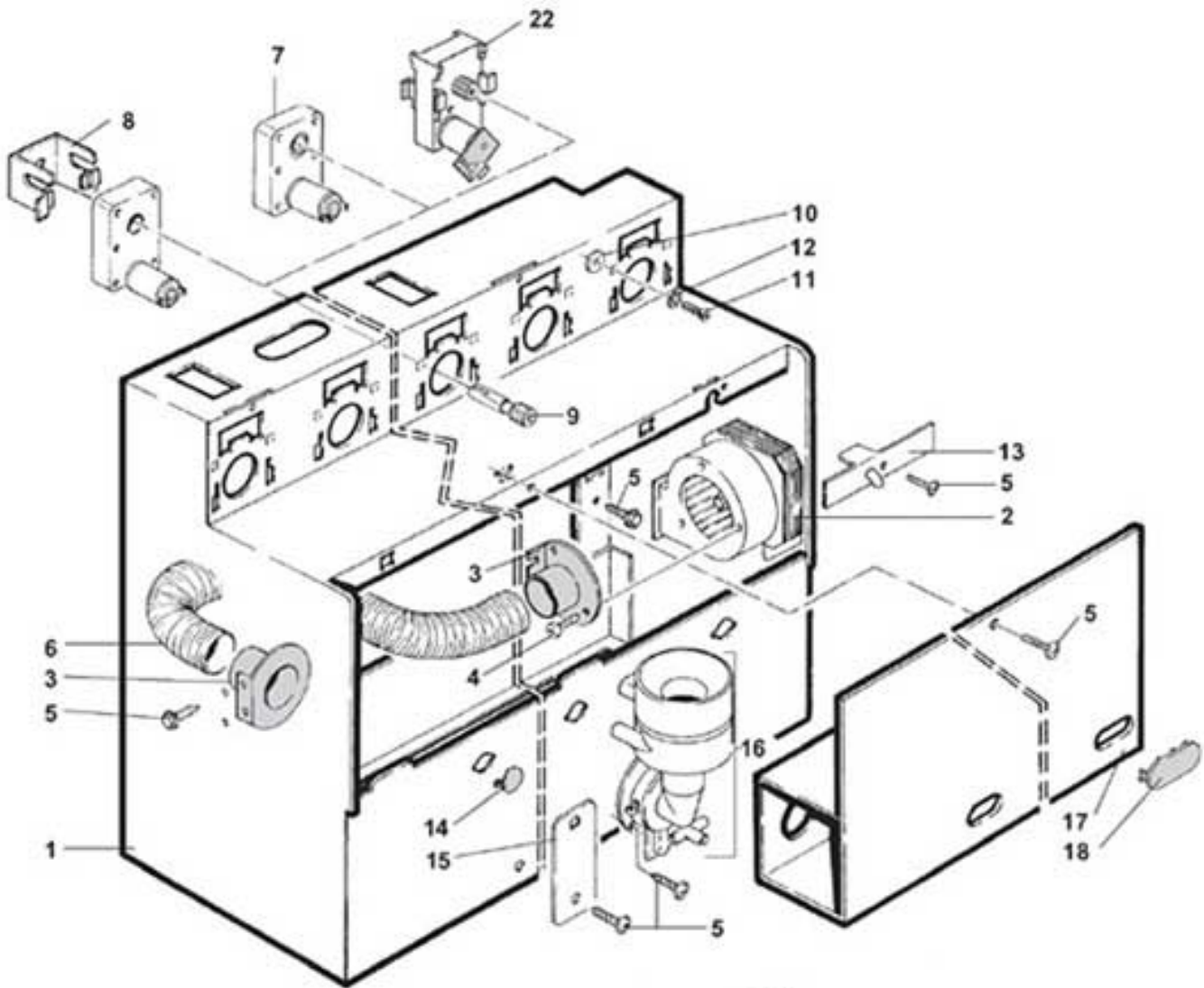
Pos.	Code	Description
1	0020029909	BUTTON GLASS
2	0020029761	SELECTION BUTTON
3	0020029733	BUTTON PLATE
4	0020034016	BUTTON SPRING
5	0020034014	BUTTONS PLATE
6	VIT0000112	M 3 x 8 T.S.P. SCREW
7	0020034022	BUTTON PLUG
8	0020034018	KEYBOARD
9	0020034033	KEYBOARD SUPPORT
10	VIT0004503	NUT M 4
11	VIT0000030	SCREW TCB M4 x 7



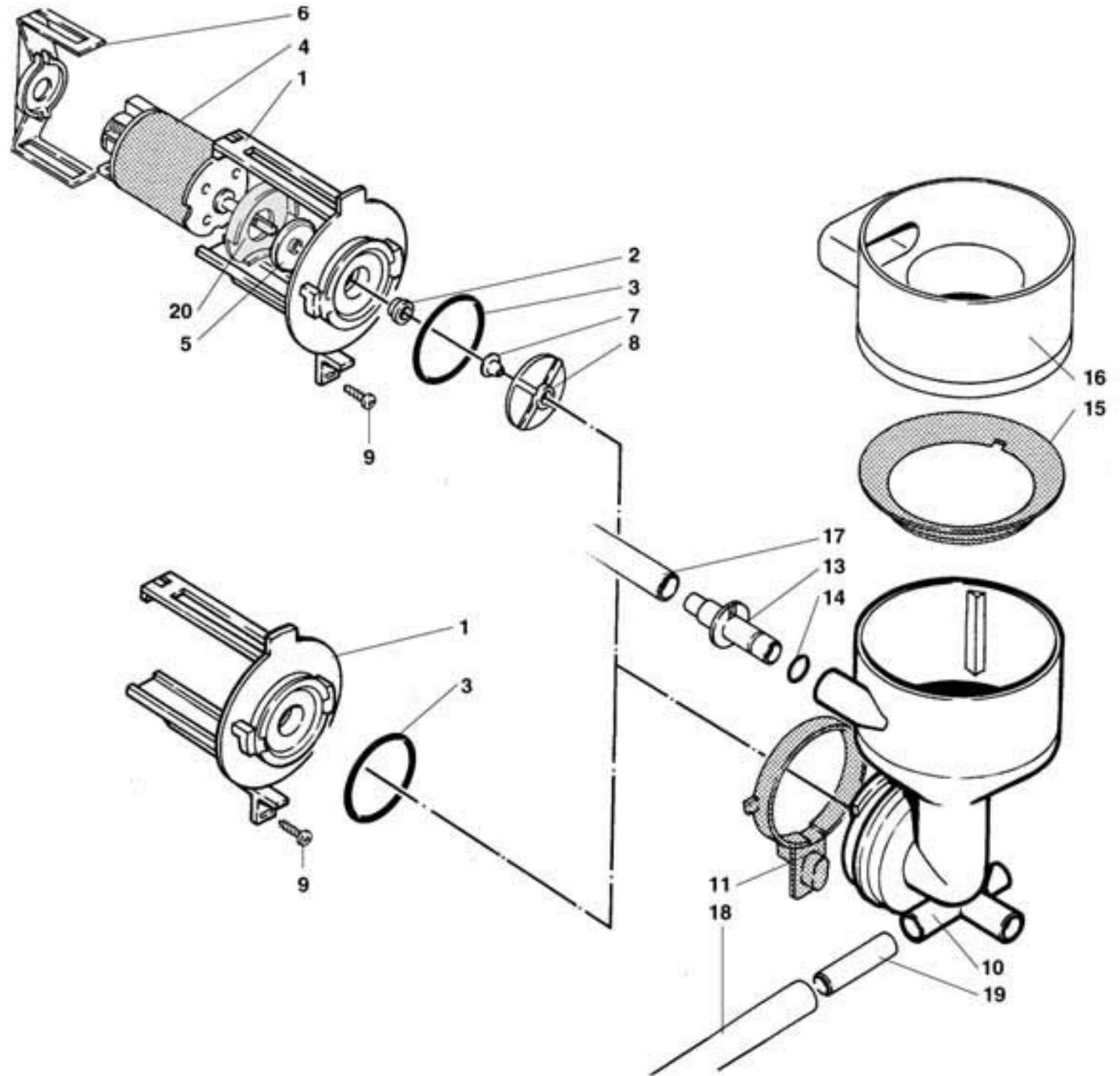
Pos.	Code	Description	
1	0180011856	600-CUP LOADER STRUCTURE	
2	VIT0007021	3 x 6 ALUMINIUM RIVET	
3	0180009051	STOP CONNECTION SPRING	
4	0180009054	STOP CONNECTION	
5	0180011817	R.H. - L.H WALL	
7	0180011828	SPRING	
8	0180009116	LONG WALL-PUSHING PIN	
9	0180011823	WALL-PUSHER PIN	
10	VIT0002401	SCREW TCB 3.5 x 9.5	
11	0180011866	LOADER COVER	
12	0180011868	600-CUP FIXED COVER	
	0180011868CK	600-CUP FIXED COVER DUST GRAY RAL 7037	
13	VIT0007104	BUSH It's part of kit VIT0007104R	
14	VIT0007105	BUTTON It's part of kit VIT0007104R	
15	VIT0000002	M 3x16 TCB SCREW	
16	VIT0003002	D.3.2x7x0.5 WASHER	
17	0180011534	COLUMN	
18	VIT0000006	M 3x16 TCB SCREW	
19	VIT0003102	WASHER tab D. 3.2	
20	0090002512	24 V DC 10 ROM GEAR MOTOR HEXAGONAL SHAFT	
21	0190006007	FGEAR MOTOR PINION	
22	ELE0001522	1-WAY 16 A 250 V MICROSWITCH	
23	ELE0001906	161 E R 24.1 MICRO LEVER	
24	0190006056	LOWER PLATE It's part of kit 0190012155CL	
25	0190006004	Z 66 RING NUT	
26	0190006005	CAM WITH PINION	
27	0190012155	UPPER PLATE It's part of kit 0190012155CL	
28	VIT0000019	M 5x35 TCB SCREW	
29	0180009145	CENTRAL COLUMN RING NUT	
30	0190012108	Z.30 PINION	
31	0180011533	DB SHAFT FOR Z.30 PINION	
32	VIT0006502	D.3.2 RADIAL STOP RING	
33	VIT0003303	WASHER D.6.5 x 18 x 1.5	
34	VIT0006503	D.4 RADIAL STOP RING	
35	SCH0004220	CUP DETECTOR	
36	VIT0002011	2.9x 9.5 TAPPING TCB SCREW	
37	0180011808	CENTRAL COLUMN	
38	0180005007	CENTRAL COLUMN GUIDE	
39	VIT0004504	M 4 NUT	
40	0090002114R	24V D.C. GEAR MOTOR 24 R.P.M.	
41	0380010421	GEAR MOTOR SHAFT	
42	0180011544	Z.30 PINION WITH SQUARE SEAT	
43	0180011553	GEAR MOTOR SPACER	
44	VIT0000015	M 4x25 TCB SCREW	
45	VIT0003103	WASHER tab D. 4.3	
46	VIT0004503	NUT M 4	
47	IMB0001208	MANUAL HOLDER ENVELOPE	
48	ELE0001506	MICROSWITCH 83.131.8-IW3M	
49	VIT0000024	M 4x8 TCB SCREW	
50	VIT0003301	WASHER D.12 x 4.3 x 1.5	
52	0180011843	CUPS CHUTE	
53	0180009091	SETTING PLATE	
54	0180010018	WALL-PUSHER HOOK	
55	0180010015	WALL-PUSHER	
56	SCH0003740	DC MOTORS FILTER	
100	0190006065CL	24V DC CUPS DISPENSER	assieme
101	0180011860CL	CUPS LOADER / DIPENSER ASSEMBLY	assieme



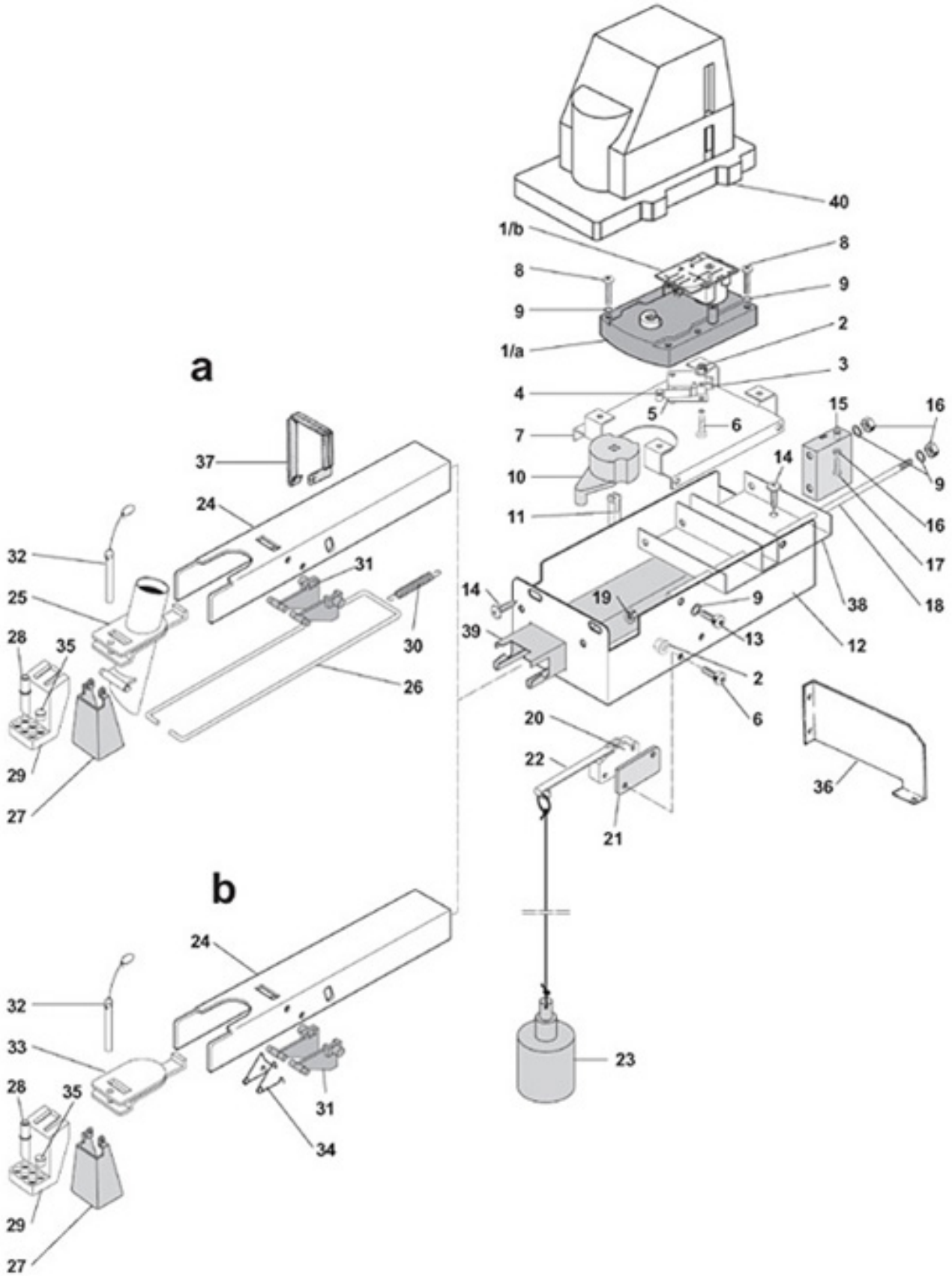
Pos.	Code	Description	
1/a	0450009125	STICKS CONTAINER 89 mm	
1/b	0450009137	STICKS CONTAINER 104 mm	
2	0450002003	STICKS DISPENSER	
3	0450003010	RETURN SPRING	
4	0450009141	ELECTROMAGNET CONNECTING ROD	
5	VIT0002469	SCREW TC 3.5 x 10	
6/a	0450003008	STICKS DISPENSER PIN 89 mm	
6/b	0450003032	STICKS DISPENSER PIN 104 mm	
7	VIT0006504	D.5 RADIAL STOP RING	
8	VIT0005211	2.5 x 12 CYLINDRICAL PIN	
9	ELE0000055	24 V DC ELECTROMAGNET	
10	0450009139	ELECTROMAGNET R.H SUPPORT	
11	0450009140	ELECTROMAGNET L.H. SUPPORT	
12	VIT0003003	WASHER D.8 x 4.3 x 0.8	
13	VIT0003405	D.4.3 GROWER WASHER	
14	VIT0000021	M 4x6 TCB SCREW	
15	VIT0002401	SCREW TCB 3.5 x 9.5	
16/a	0450009126	STICKS FEEDER 89 mm	
16/b	0450009138	STICKS FEEDER 104 mm	
17	0450003031	STICKS DISPENSER SPACER 104 mm	
18/a	4001012030	STICK WEIGHT 89 mm	
18/b	0450003033	STICK WEIGHT 104 mm	
19	VIT0000106	M 4x8 TSP SCREW	
20	0450009127	STICKS CHUTE	
23/a	0450009146CL	STICKS DISPENSER 89 mm (WITHOUT PART. 18-19-20)	
23/b	0450009156CL	STICKS DISPENSER 104 mm (WITHOUT PART. 18-19-20)	assieme



Pos.	Code	Description
1/a	0070010700R	'E' SOLUBLES HOUSING
1/b	0070010720R	'H' SOLUBLES HOUSING
2	ELE0000454	EXHAUST FAN
3	3005101039	1-WAY FAN+C1896 COVER
4	VIT0000106	M 4x8 TSP SCREW
5	VIT0000030	SCREW TCB M4 x 7
6	TEOL000003	D.50 PIPE
7/a	0090002081	24 V DC 85 RPM PRODUCT GEAR MOTOR
7/b	0090002082	24V D.C. 50 RPM PRODUCT GEAR MOTOR
7/c	0090002093	24V D.C. 32 RPM PRODUCT GEAR MOTOR
8	0010020031	GEAR MOTOR SUPPORT
9/a	0090002111	Z 18 D.15 SHAFT
9/b	0230012010	DRIVING PINION
10	0090002079	GEAR MOTOR SPACER
11	VIT0000015	M 4x25 TCB SCREW
12	VIT0003103	WASHER tab D. 4.3
13	0240002117	TEA GROUP WATER INLET PIPE
14	0080100035	PLUG
	0080100035NA	PLUG BLACK
15	0010020028	MIXER PLUG
	0010020028NA	MIXER PLUG BLACK
16		See table MIXER
17/a	0070010759	E/5 EXHAUST HOUSING
17/b	0070010757	E/5 FBT EXHAUST HOUSING
17/c	0070010775	H EXHAUST HOUSING
17/d	0070010776	H/FBT EXHAUST HOUSING
18	0070010831	EXHAUST PLUG
	0070010831NA	EXHAUST PLUG BLACK
19	0070010905	SUPPORTO MOTOR SHAFT H/8
20	VIT0000236	E.H SCREW M 6 x 11 + FR
22	0090002113R	24 V DC 80 RPM PRODUCT GEAR MOTOR + FILTER

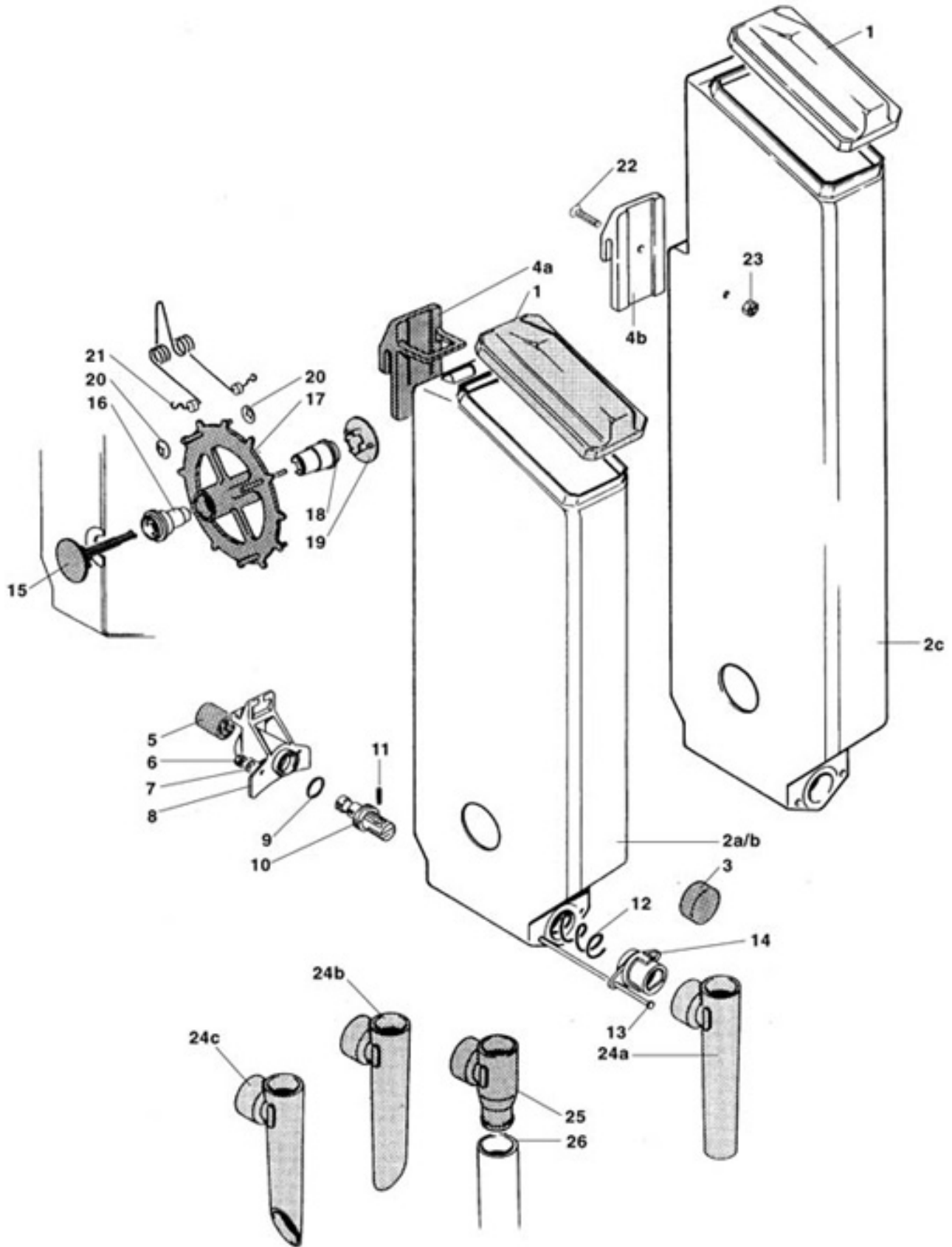


Pos.	Code	Description	
1	0080100005	MIXER BASE	
2	0080100015	MIXER BASE BUSH	
3	GUA0000084	GASKET 3131	
4	0090003023	24 V DC MIXER MOTOR SHAFT D.4	
5	0080100024	DRIP TRAP FAN	
6	0080100009	MOTOR CONNECTION COVER	
	0080100009IC	MOTOR CONNECTION COVER ORANGE RAL 2011	
7	0080100014	MIXER GASKET - SHAFT D.4	
8	0080100011	SMALL FAN MIXER SHAFT D.4	
	0080100011PL	SMALL FAN MIXER SHAFT D.4 OVERSEAS BLUE RAL 5002	
9	VIT0002401	SCREW TCB 3.5 x 9.5	
10	0080100007	MIXER BODY WITH INLET	
11	0080100006	STOPPER RING	
	0080100006IC	STOPPER RING ORANGE RAL 2011	
13	0080100013	MIXER CONNECTION	
14	GUA0000085	SILICONE GASKET 106	
15	0080100022	MIXER BODY RING	
16	0080100021	EXHAUST BODY	
17	TSIL07/11T	TRANSPARENT SILICONE PIPE D.7 x 11	
18	TSIL06/09T	TRANSPARENT SILICONE PIPE D.6 x 9	
19	0080027029	REDUCTION FOR CAFFEINE-FREE COFFE	
20	0080100016	INSTANT COFFEE REDUCTION D.2,5	
100	0080100005R	MIXER MOTOR ADAPTATION KIT (pos. 7+8+11+13+14+15+16)	assieme
101	0080100007R	MIXER BODY + RING STOPPER	

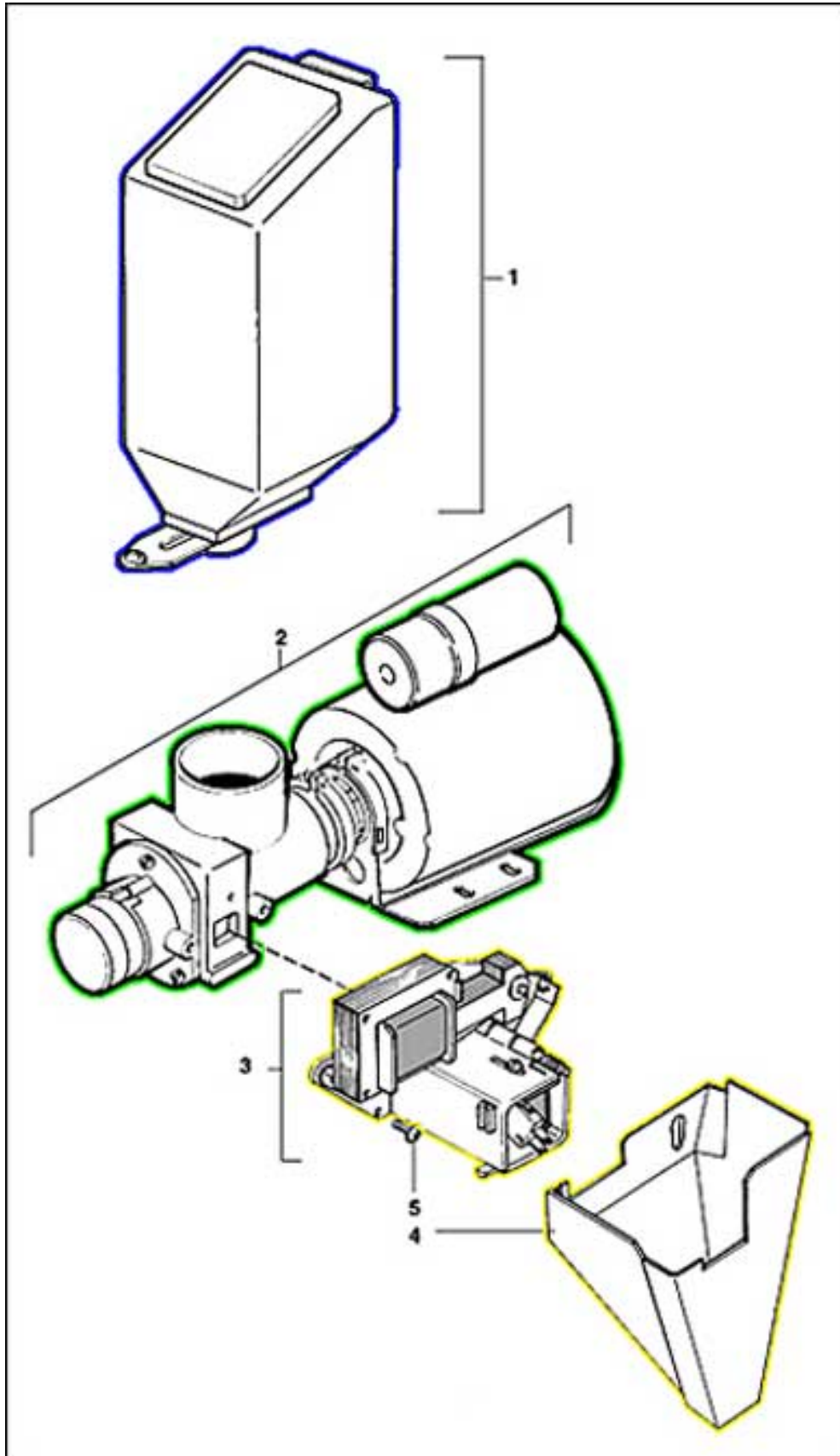


LUCE PUBBLICO - DISTRIBUTION PIPES MOVEMENT

Pos.	Code	Description	
1	0090002115R	24V D.C. GEAR MOTOR 24 R.P.M.	
1/a	0090002114	GEAR MOTOR MOD.930 11RPM 24V DC	
1/b	SCH0004980	DC MOTORS FILTER	
2	VIT0004701	M3 FR NUT	
3	ELE0001528	MICRO 83.161.832	
4	ELE0001906	161 E R 24.1 MICRO LEVER	
5	7500902054	SUPPLEMENTARY INSULATION	
6	VIT0000006	M 3x16 TCB SCREW	
7	0380010436	GEAR MOTOR SUPPORT	
8	VIT0000015	M 4x25 TCB SCREW	
9	VIT0003103	WASHER tab D. 4.3	
10	0380010508	GEAR MOTOR CAM mm 36	
11	0380010421	GEAR MOTOR SHAFT	
12	0380010615	PIPES MOVEMENT	
13	VIT0002009	SCREW T.C.B. 3.5 x 6.5	
14	VIT0002401	SCREW TCB 3.5 x 9.5	
15	0380010607	PIPES MOVEMENT SETTING	
16	VIT0004503	NUT M 4	
17	VIT0000030	SCREW TCB M4 x 7	
18	0380010411	PIPES SUPPORT GUIDE SHAFT	
19	0380010534	PIPES SUPPORT GUIDE BUSH	
20	ELE0001528	MICRO 83.161.832	
21	4600010014	MICRO SPACER	
22	NL201106265	MICRO LEVER	
23	0070020038CL	FLOATER ASSEMBLY	
24	0380010598	PIPE SUPPORT	
25	0380010423	SUGAR CHUTE	
	0380010423NA	SUGAR CHUTE BLACK	
26	0380010596	WALL OPENING CONNECTION	
27	0380010424	MOBILE WALL	
	0380010424NA	MOBILE WALL BLACK	
28	0380010657NA	DISPENSER PIPE	
29	0380010655NA/L	PRODUCT PIPES SUPPORT WITH HOLE	
30	0380010431	MOBILE WALL SPRING	
31	0380010599	KEY PIPES MOVEMENT	
32	0380010429CL	SECURING PIN ASSEMBLY	
33	0380010459NA/L	PIPES SUPPORT PLATE	
34	0380010629	KEY PIPES MOVEMENT	
35	0380010656NA	BLACK PLUG	
36	0380010608	PIPES MOVEMENT SUPPORT	
37	0380010579	HOSE CLAMP	
38	0380010531	PIPES SUPPORT GUIDE	
39	0380010623	PIPES SUPPORT GUIDE	
40	0380010632NA	PIPES MOVEMENT PROTECTION	
100	0380010600CL	LUCE E PIPES MOVEMENT W/SUGAR RELEASE (for new electronic version)	assieme
101	0380010601CL	LUCE H PIPES MOVEMENT W/SUGAR RELEASE (for new electronic version)	assieme

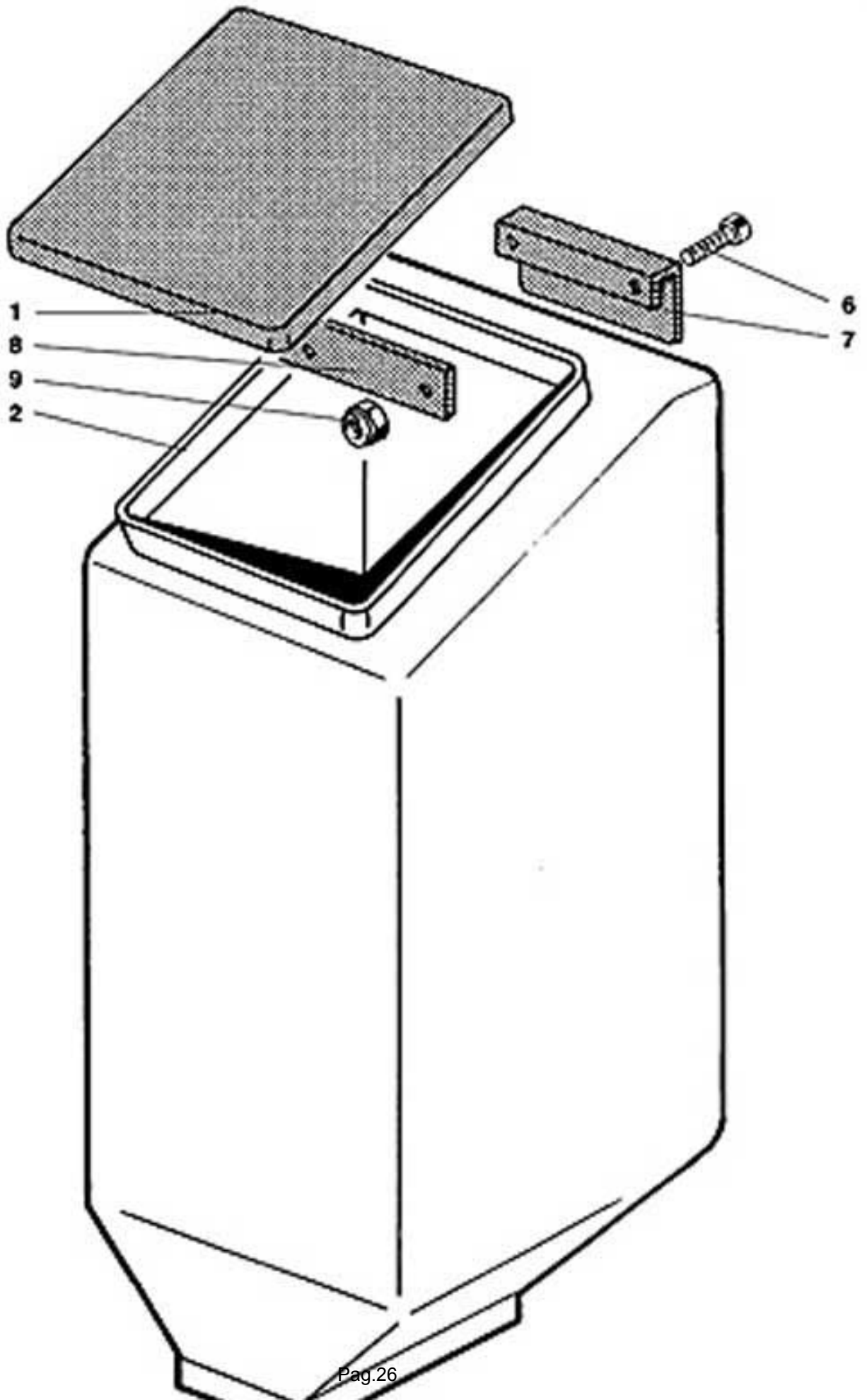


Pos.	Code	Description	
1	70003002	COINTAINER COVER	
2/a	70003001A	POLYETHYLENE CONTAINER WITH HOLES	It's part of kit 70003001AR
2/b	70003001B	POLYETHYLENE CONTAINER WITHOUT HOLES	It's part of kit 70003001BR
2/c	0230008003	POLYETHYLENE CONTAINER WITH H.650 HOLES	
3	4002050109AD	PRODUCT CHUTE PLUG	
4/a	70003003	UPPER HOOKING PLATE	
4/b	0230012018	UPPER PLATE	
5	0230012012	DRIVING RING GEAR SQUARE SEAT	
6	VIT0004803	STAINLESS STEEL NUT M4	
7	VIT0003202	STAINLESS STEEL FLAT WASHER D.4,3 x 9 x 0,8	
8	70003006	REAR SUPPORTING BUSH	
9	GUA0000015	GASKET 119	
10	0230012006	WORM SCREW WITH FLANGE	
11	VIT0005301	ELASTIC PIN D.2 x 14	
12/a	70003016	P.18 WORM SCREW SPRING	
12/b	0230024009	WORM SCREW SPRING P.9	
13	70003010	BUSH TIE-BOLT	
14/a	70003008	FRONT BUSH	
14/b	70003007	FRONT BUSH	
15	70003028	STOP PIN	
16	70003027	MIXER MALE BUSH	
17/a	70003012	PLASTIC MIXER GEAR	
17/b	70003014	PLASTIC MIXER GEAR	
18	70003026	MIXER FEMALE BUSH	
19	70003029	STOP DISK	
20	VIT0007102	BENZING-QUICKLOCK	
21	11837	MIXER	
22	VIT0001205	M 4x12 TSP SCREW	
23	VIT0004810	M 4 SELFLOCKING NUT	
24/a	4001003072/20	STRAIGHT PRODUCT CHUTE mm 125	
24/b	4001003072/22	L.H. PRODUCT CHUTE mm 155	
24/c	4001003072/21	R.H. PRODUCT CHUTE mm 155	
25	0230016024	SUGAR FEEDER	
26	TSIL14/20T	D.10x14 NATURAL TRANSPARENT SILICONE PIPE	
100	0230016005R	(**)WORM SCREW P.18 PRODUCT CONTAINER ASSEMBLY	
101	0230017007R	PRODUCT CONTAINER PLATIC WHEEL P.9 ASS.	
102	0230017008R	PRODUCT CONTAINER PLATIC WHEEL P.18 ASSEM.	
103	0230018009R	ROBO MIXER PRODUCT CONTAINER P.18 ASSEM.	
104	0230019005R	TEA PRODUCT CONTAINER PLATIC WHEEL P.9 ASSEM.	
105	0230019006R	TEA PRODUCT CONTAINER PLATIC WHEEL P.18 ASSEM.	assieme
106	0230012012R	DRIVING RING GEAR - WORM SCREW PIN W/FLANGE ASSEMBLY	assieme



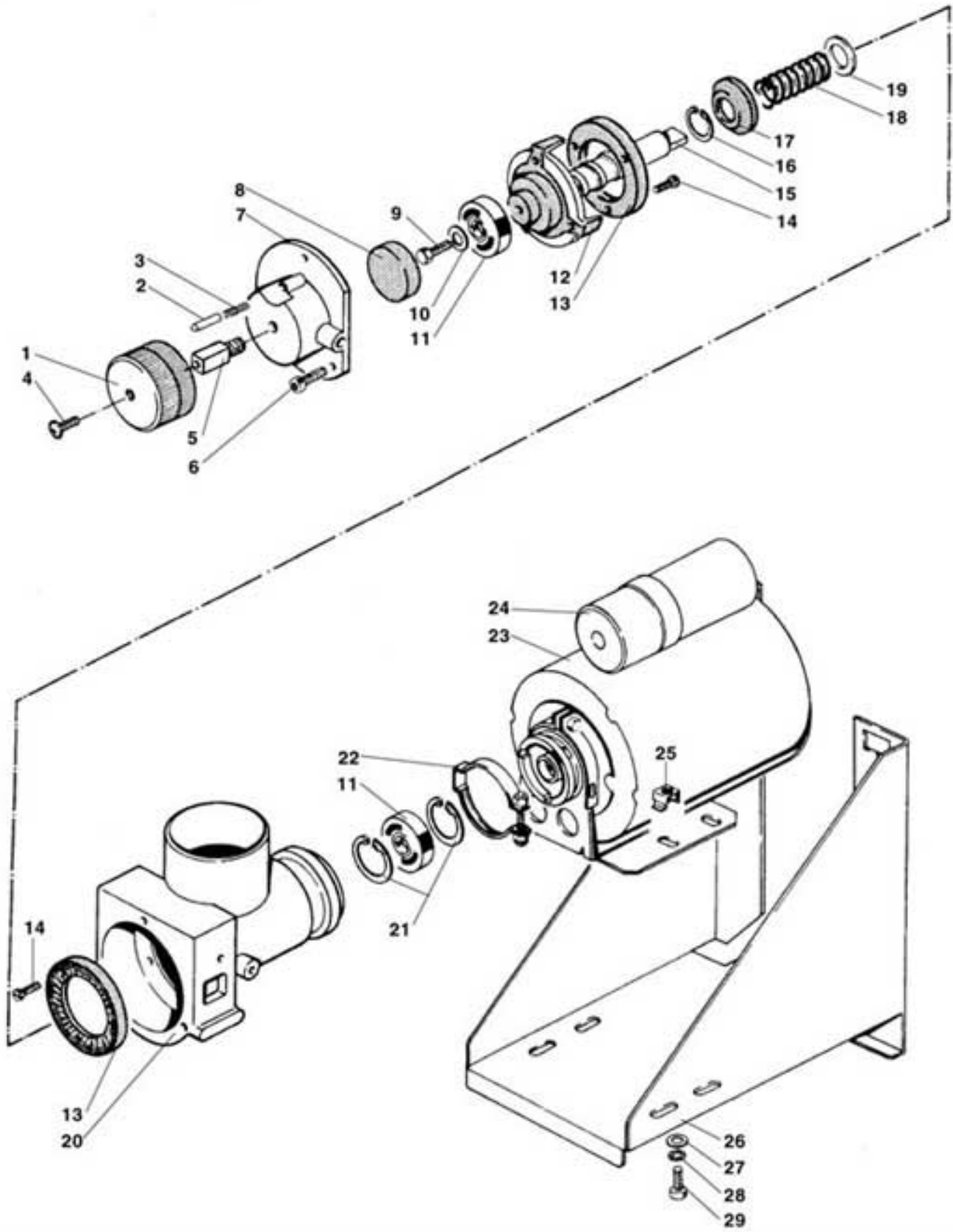
LUCE PUBBLICO - CONTAINER BATCHER GRINDER GROUP

Pos.	Code	Description
1		See table COFFEE BEANS CONTAINER
2		See table HORIZONTAL GRINDER GROUP
3		See table ALUMINIUM BATCHER WOTH INTERNAL MICRO
4	0320005061	MICRO COFFEE GROUP CHUTE
5	VIT0000012	SCREW T.C.B. M 4 x 10



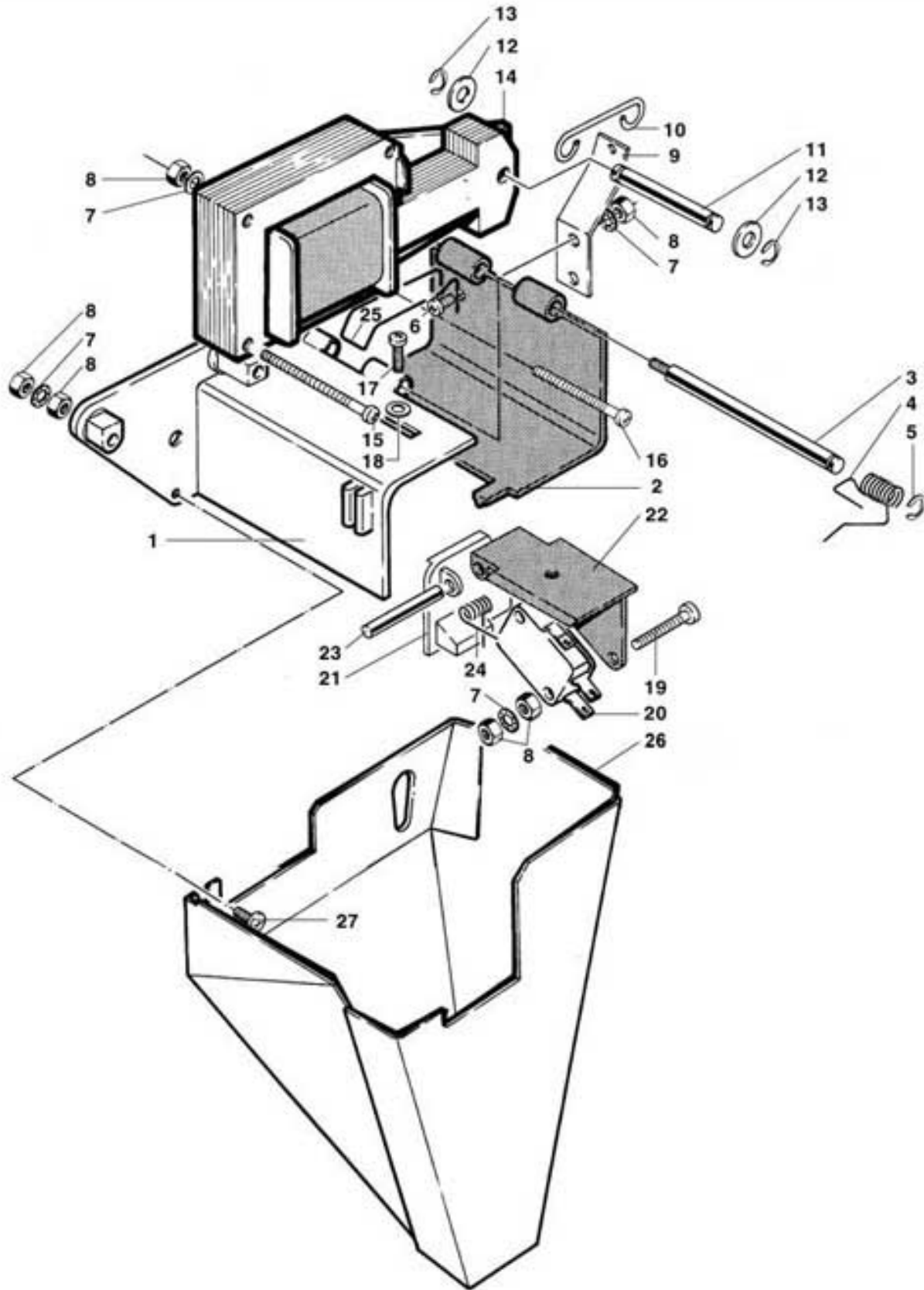
LUCE PUBBLICO - COFFEE BEANS CONTAINER

Pos.	Code	Description	
1	0230015057	COFFEE LITTLE CONTAINER COVER	
2	0230015052	COFFEE CONTAINER	
3	4001002077	COFFEE CONTAINER BLADE	
	4001002077NA	COFFEE CONTAINER BLADE BLACK	
4	0230015035	COFFEE CONTAINER BOTTOM	
5	VIT0002104	2.9x 13 STAINLESS STEEL TAPPING TCB SCREW	
6	VIT0005510	4x16 TCEI SCREW	
7	0230015036	COFFEE CONTAINER CONNECTION	
8	0230015037	STIFFENING	
9	VIT0004810	M 4 SELFLOCKING NUT	
100	0230015050CL	COFFEE BEANS CONTAINER GROUP	assieme



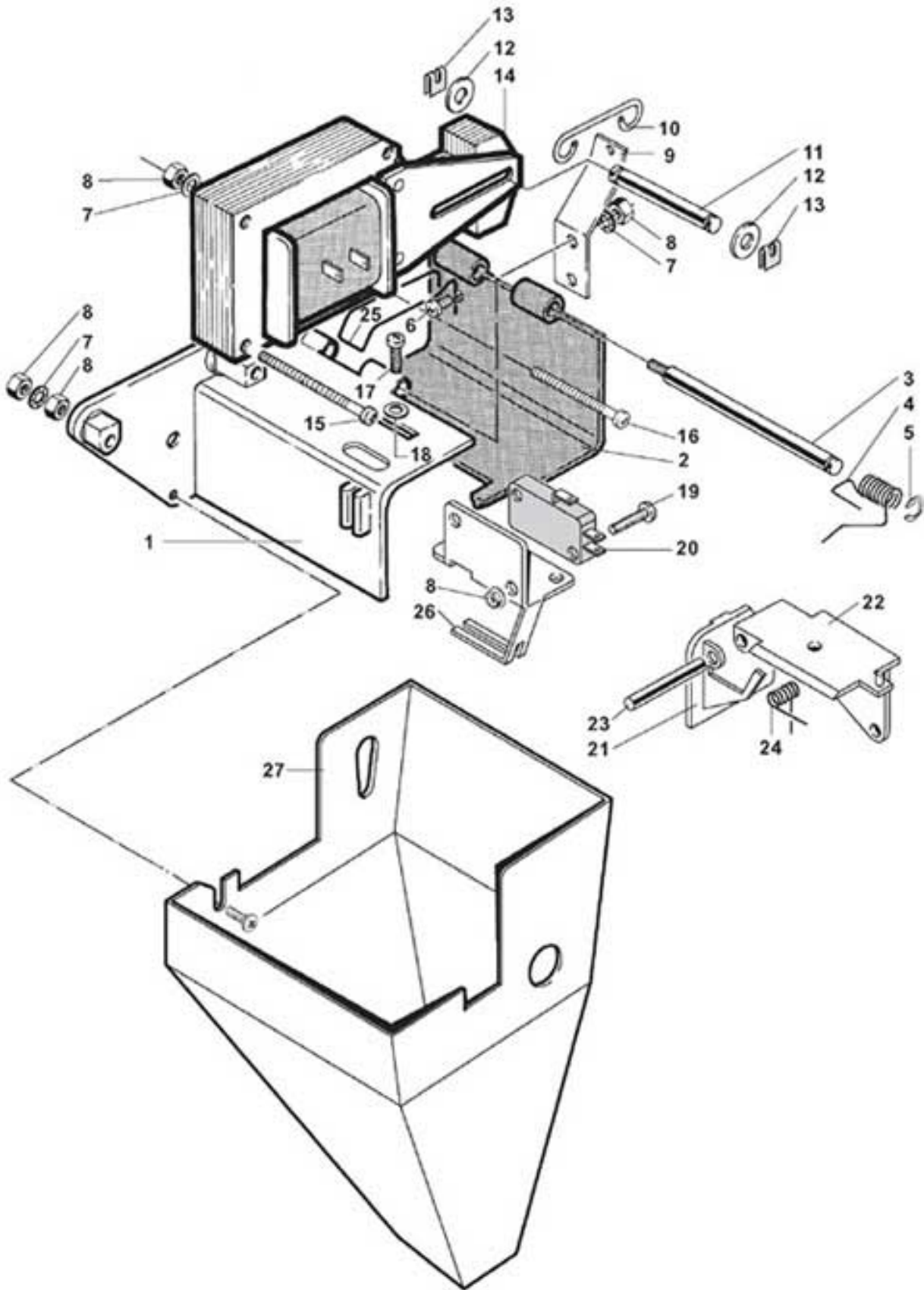
LUCE PUBBLICO - HORIZONTAL GRINDER GROUP

Pos.	Code	Description	
1	320000053	SETTING KNOB	
2	320000041	GRINDING SETTING PIN	
3	4001002141	GRINDING SETTING SRING	
4	VIT0000012	SCREW T.C.B. M 4 x 10	
5	320000052	SETTING PIN	
6	VIT0005508	4x12 TCEI SCREW	
7	320000119	FLANGE	
8	320000032	BEARING PUSHER	
9	320000010	L.H. BOLT	
10	320000029	GRINDER WASHER	
11	VIT0009301	ZKL BEARING	
12	320000025	GRINDER SUPPORT	
13	0090003004	53/S GRINDER COUPLE	
14	VIT0000024	M 4x8 TCB SCREW	
15	320000008	R.H. WORM SCREW	
16	VIT0006651	D.17 RADIAL STOP RING FOR SHAFT	
17	320000016	SPRING PUSHER	
18	320000015	COMPENSATION SPRING	
19	320000014	SPACER	
20	320000101	GRINDER BODY	
21	VIT0006602	D.35 RADIAL STOP RING FOR HOLE	
22	FASC000401	PUMP+SCREW CLIP	
23	0090003003	HORIZONTAL MILL 220 V 50 HZ MOTOR	
24	ELE0009054	12.5 mf GRINDER MOTOR CONDENSER	
25	VIT0009106	M 5 NUT IN RETAINER	
26	0010018121	MILL MOTOR SUPPORT	
27	VIT0003302	5.5x12x1.5 FLAT WASHER	
28	VIT0003104	WASHER tab D. 5.1	
29	VIT0000209	M 5*14 H.H. SCREW	
100	0320001001CL	GRINDER GROUP (Pos. 1 to 21)	assieme



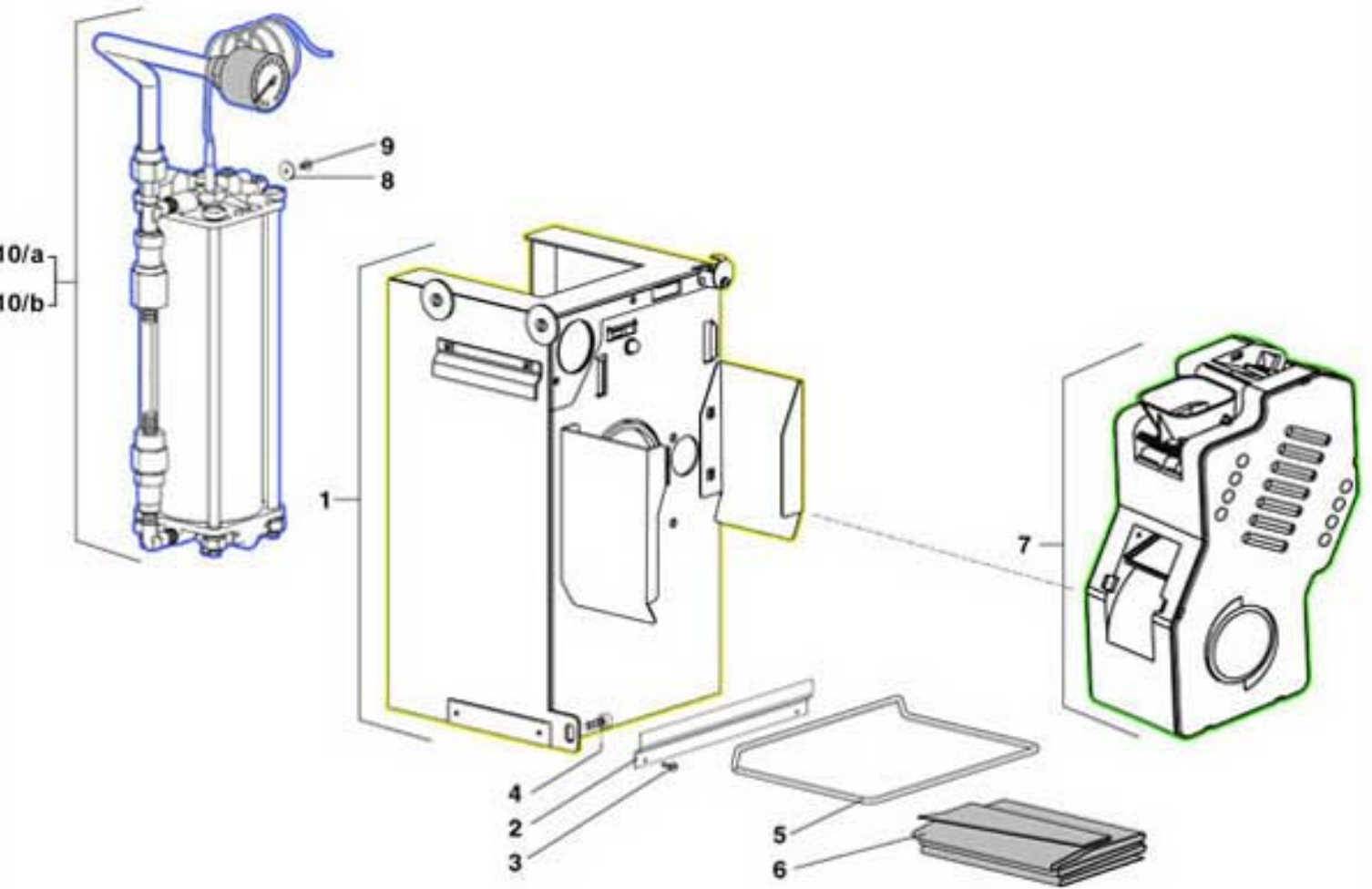
LUCE PUBBLICO - ALUMINIUM BATCHER WOTH INTERNAL MICRO

Pos.	Code	Description	
1/a	4001002094	BATCHER BODY FOR COFFEE BEANS GROUP D. 36	
1/b	4001002058	FOR COFFEE BEANS GROUP D. 40	
2	4001002060	MOBILE WALL	It's part of kit 4001002094R
3	4001002063	BATCHER SHAFT	
4	4001002066	SHAFT SPRING	
5	VIT0006502	D.3.2 RADIAL STOP RING	
6	VIT0000102	M 3x10 TSP SCREW	
7	VIT0003102	WASHER tab D. 3.2	
8	VIT0004502	M3 NUT	
9	0350001105	BATCHER LEVER	
10	0350001106	DRIVING RING	
11	4001002095	ELECTROMAGNET FULCRUM PIN	
12	VIT0003301	WASHER D.12 x 4.3 x 1.5	
13	VIT0006501	D.2.3 RADIAL STOP RING	
14	ELE0000060	24V 50 HZ ELECTROMAGNET	It's part of kit ELE0000060R
15	VIT0000009	M 3x30 TCB SCREW	
16	VIT0000008	M 3x25 TCB SCREW	
17	VIT0000003	M 3x8 TCB SCREW	
18	VIT0003002	D.3.2x7x0.5 WASHER	
19	VIT0000007	M 3x20 TCB SCREW	
20	ELE0001525	1-WAY GOLD-PLATED CONTACT MICRO	
21	4001002062	BATCHER PLATE	
22/a	4001002091	PLATE SUPPORT W/BUSH FOR COFFEE BEANS GROUP D. 36	
22/b	4001002061R	PLATE SUPPORT W/BUSH FOR COFFEE BEANS GROUP D. 40	
23	4001002084	PLATE PIN	
24	350000011	PLATE SPRING	
25	4001002068	MOBILE WALL SPRING	
26/a	0320005061	MICRO COFFEE GROUP CHUTE FOR COFFEE BEANS GROUP D. 36	
26/b	0320005056	MICRO COFFEE GROUP CHUTE FOR COFFEE BEANS GROUP D. 40	
27	VIT0000012	SCREW T.C.B. M 4 x 10	
100	0350002004CL	COFFEE BATCHER GROUP M-I	
101	0350002002CL	BIGGER COFFEE BATCHER GROUP M-I	
102	0350001105R	BATCHER LEVER-DRIVING RING ASSEMBLY (POS.9+10)	assieme
103	ELE0000060R	NT3 ELECTROMAGNET + PIN (POS.11+13+14)	assieme



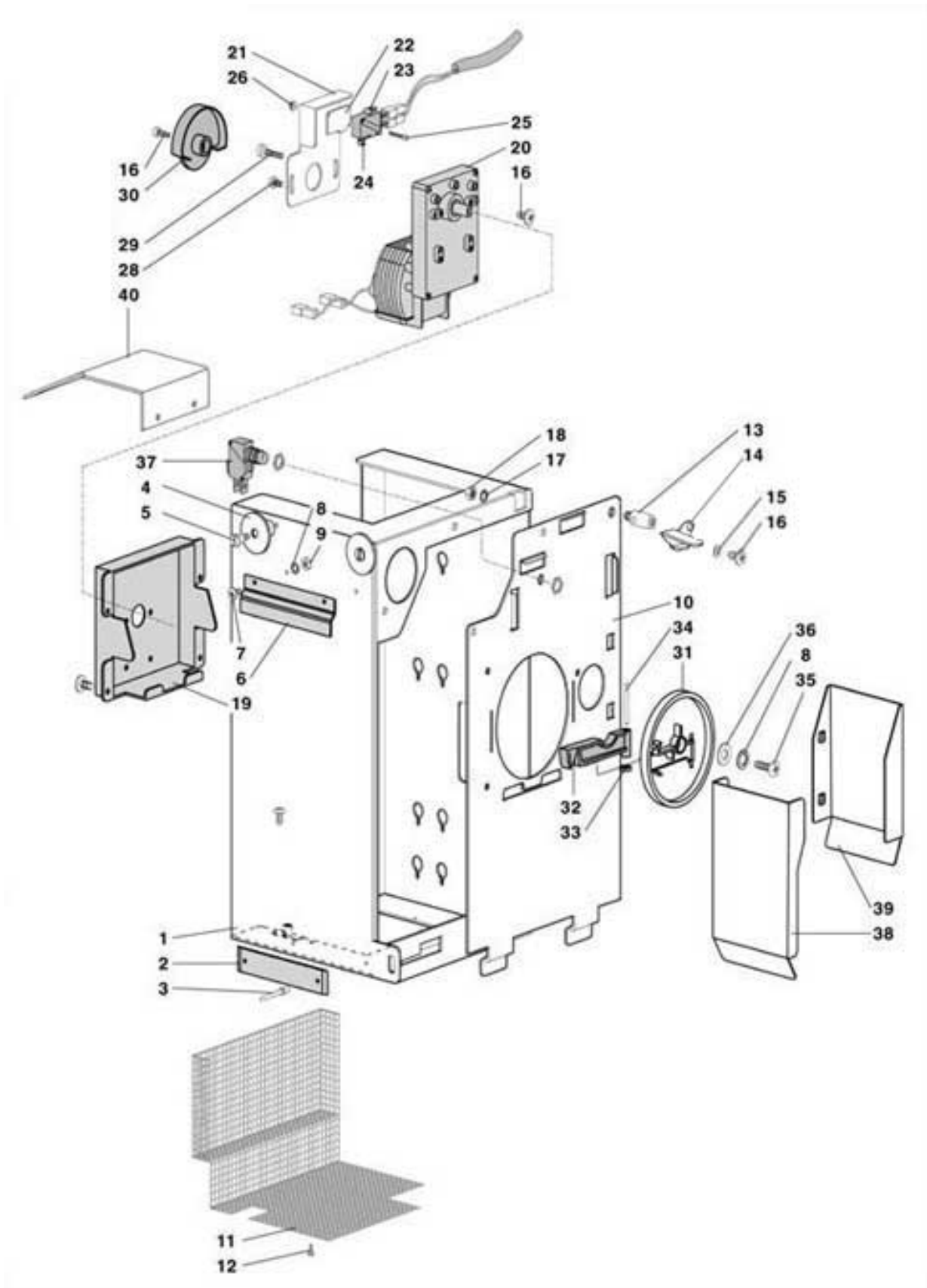
LUCE PUBLICO - ALUMINIUM BATCHER WOTH EXTERNAL MICRO

Pos.	Code	Description	
1	4001002094	BATCHER BODY	
2	4001002060	MOBILE WALL	It's part of kit 4001002094R
3	4001002063	BATCHER SHAFT	
4	4001002066	SHAFT SPRING	
5	VIT0006502	D.3.2 RADIAL STOP RING	
6	VIT0000102	M 3x10 TSP SCREW	
7	VIT0003102	WASHER tab D. 3.2	
8	VIT0004701	M3 FR NUT	
9	0350001105	BATCHER LEVER	
10	0350001106	DRIVING RING	
11	4001002095	ELECTROMAGNET FULCRUM PIN	
12	VIT0003202	STAINLESS STEEL FLAT WASHER D.4,3 x 9 x 0,8	
13	VIT0006701	D.2.3 RADIAL STOP RING	
14	ELE0000060	24V 50 HZ ELECTROMAGNET	It's part of kit ELE0000060R
15	VIT0001108	M 3x30 TCB SCREW	
16	VIT0000008	M 3x25 TCB SCREW	
17	VIT0000003	M 3x8 TCB SCREW	
18	VIT0003002	D.3.2x7x0.5 WASHER	
19	VIT0000006	M 3x16 TCB SCREW	
20	ELE0001525	1-WAY GOLD-PLATED CONTACT MICRO	
21	4001002092	BATCHER PLATE	
22/a	4001002091	PLATE SUPPORT W/BUSH FOR COFFEE BEANS GROUP D. 36	
22/b	4001002096	FOR COFFEE BEANS GROUP D. 40	
23	4001002084	PLATE PIN	
24	350000011	PLATE SPRING	
25	4001002068	MOBILE WALL SPRING	
26	4001002093	MICRO SWITCH SUPPROT	
27/a	0320005061	MICRO COFFEE GROUP CHUTE FOR COFFEE BEANS GROUP D. 36	
27/b	0320005056	MICRO COFFEE GROUP CHUTE FOR COFFEE BEANS GROUP D. 40	
100	0350002003CL	24V 50Hz DC COFFEE BATCHER	assieme
101	0350002006CL	24V 50Hz DC BIGGER COFFEE BATCHER	assieme
102	0350001105R	BATCHER LEVER-DRIVING RING ASSEMBLY (POS.9+10)	assieme
103	ELE0000060R	NT3 ELECTROMAGNET + PIN (POS.11+13+14)	assieme



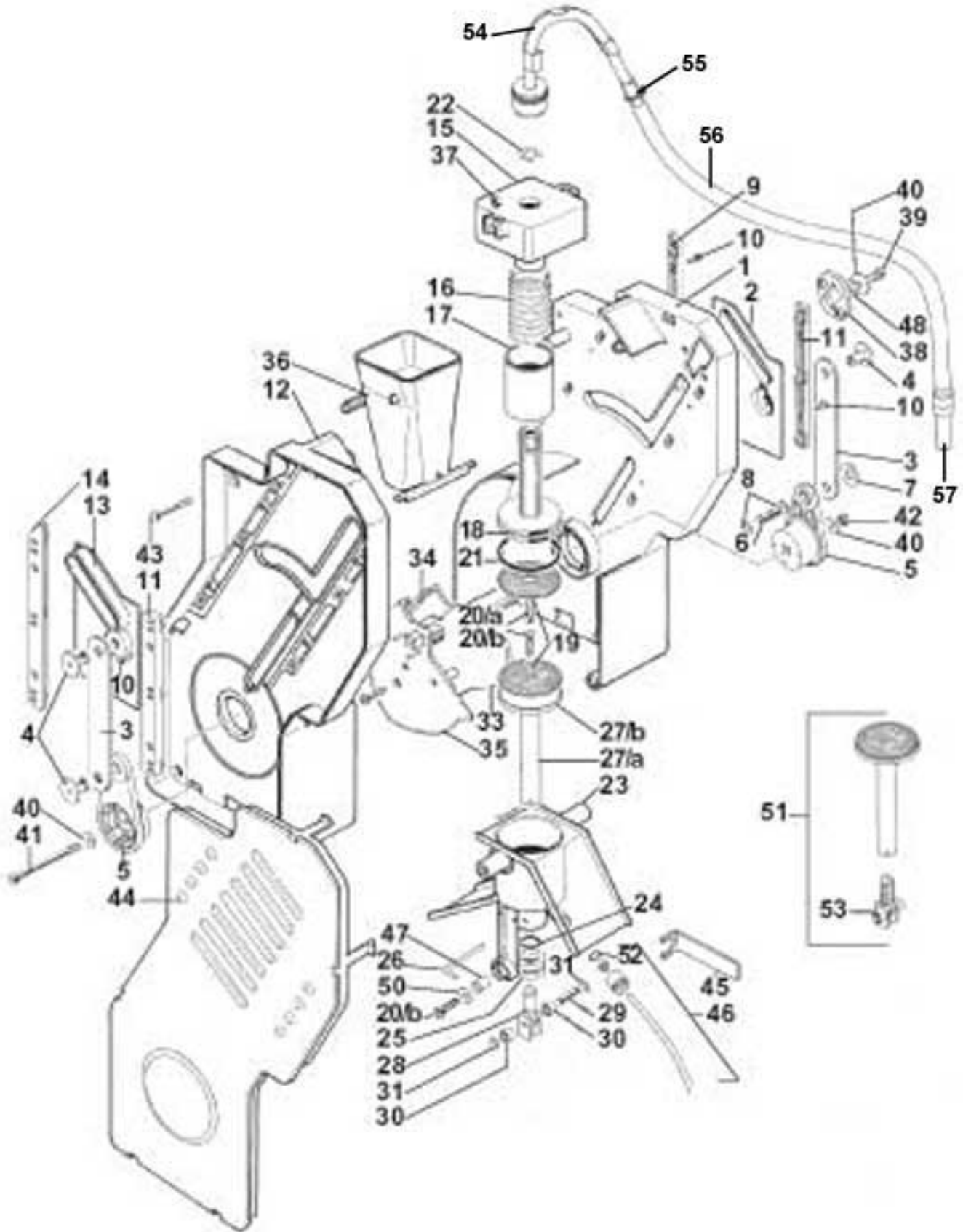
LUCE PUBBLICO - BOILER - MICRO COFFEE GROUP HOUSING

Pos.	Code	Description
1		See table MICRO COFFEE GROUP HOUSING
2	0260005022	BAG SUPPORT PLATE
3	VIT0002401	SCREW TCB 3.5 x 9.5
4	VIT0000236	E.H SCREW M 6 x 11 + FR
5	0260005021	GROUNDS BAG SUPPORT
6	IMB0000051	COFFEE GROUNDS BAG
7		See table MICRO COFFEE GROUP
8	1600001098	SYNTHETIC RUBBER D.4.5 SPACER
9	VIT0000030	SCREW TCB M4 x 7
10/a		See table MM 195 MICRO GROUP BOILER
10/b		See table MM 150 MICRO GROUP BOILER



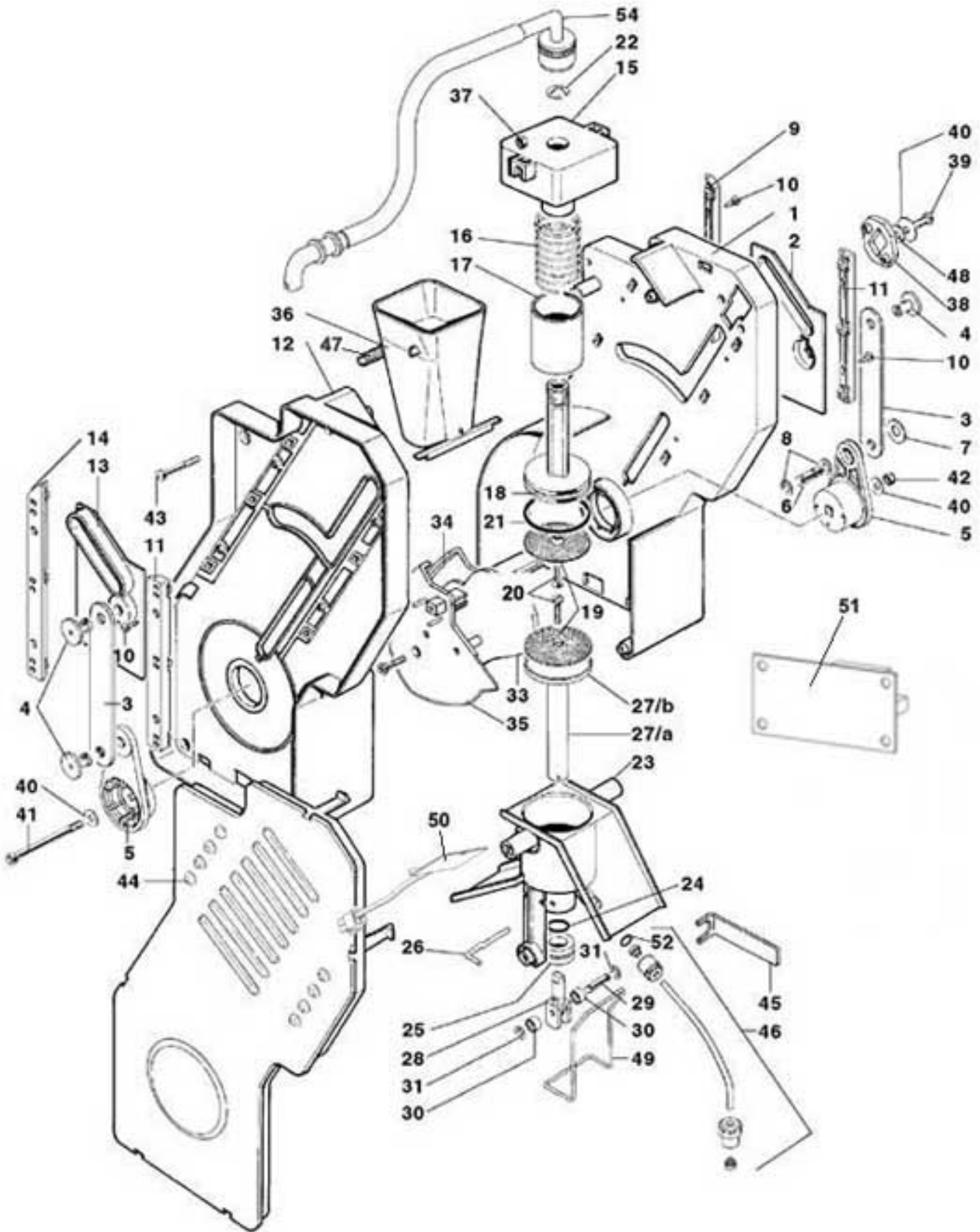
LUCE PUBLICO - MICRO COFFEE GROUP HOUSING

Pos.	Code	Description
1	0260010155	MICRO GROUP BOILER SUPPORT
2	2500002005	SHOE
3	VIT0007021	3 x 6 ALUMINIUM RIVET
4	2500002003	GROUP SUPPORT ROLL
5	0260003014	ROLL PIN
6	0260005006	PLASTIC GROUP HOUSING GUIDE
7	VIT0000012	SCREW T.C.B. M 4 x 10
8	VIT0003103	WASHER tab D. 4.3
9	VIT0004503	NUT M 4
10	0260010157	FRONT SUPPORT
11	0260010118	PROTECTION
12	VIT0000030	SCREW TCB M4 x 7
13	0260010103	MICRO GROUP HOOKING BLOCK
14	0010020132	GROUP CONNECTING PLATE
15	VIT0003301	WASHER D.12 x 4.3 x 1.5
16	VIT0000030	SCREW TCB M4 x 7
17	VIT0003105	WASHER tab D. 6.4
18	VIT0004505	NUT M6
19	0260010102	MICRO GROUP MOTOR SUPPORT
	0260010102CK	MICRO GROUP MOTOR SUPPORT DUST GREY RAL 7037
	0260010102KE	MICRO GROUP MOTOR SUPPORT FIRE RED RAL 3000
20	0090002186	MICRO GROUP MOTOR
21	0250008093	MICRO PLATE
22	4600010014	MICRO SPACER
23	ELE0001528	MICRO 83.161.832
24	ELE0001904	MICRO LEVER
25	VIT0000007	M 3x20 TCB SCREW
26	VIT0004701	M3 FR NUT
28	0250008113	ADJUSTMENT SCREW
29	VIT0005511	4x10 TCEI SCREW
30	0250008043	GROUP READER DISK
31	0250008012	MOTOR CRANK
32	0250008034	HOOKING LEVER
33	0250008059	SPRING FOR HOOKING LEVER
34	VIT0005205	4 x 40 CYLINDRICAL PIN
35	VIT0005508	4x12 TCEI SCREW
36	VIT0003003	WASHER D.8 x 4.3 x 0.8
37	ELE0001506	MICROSWITCH 83.131.8-IW3M
38	0260010207	COFFEE POWDERS CHUTE
	0260010207CK	COFFEE POWDERS CHUTE DUST GREY RAL 7037
39	0260010112	GROUPS FEEDER
40	0260005164	MOTOR PROTECTION
100	KIT0090002186	MICRO COFFEE BEANS GROUP MODIFICATION KIT



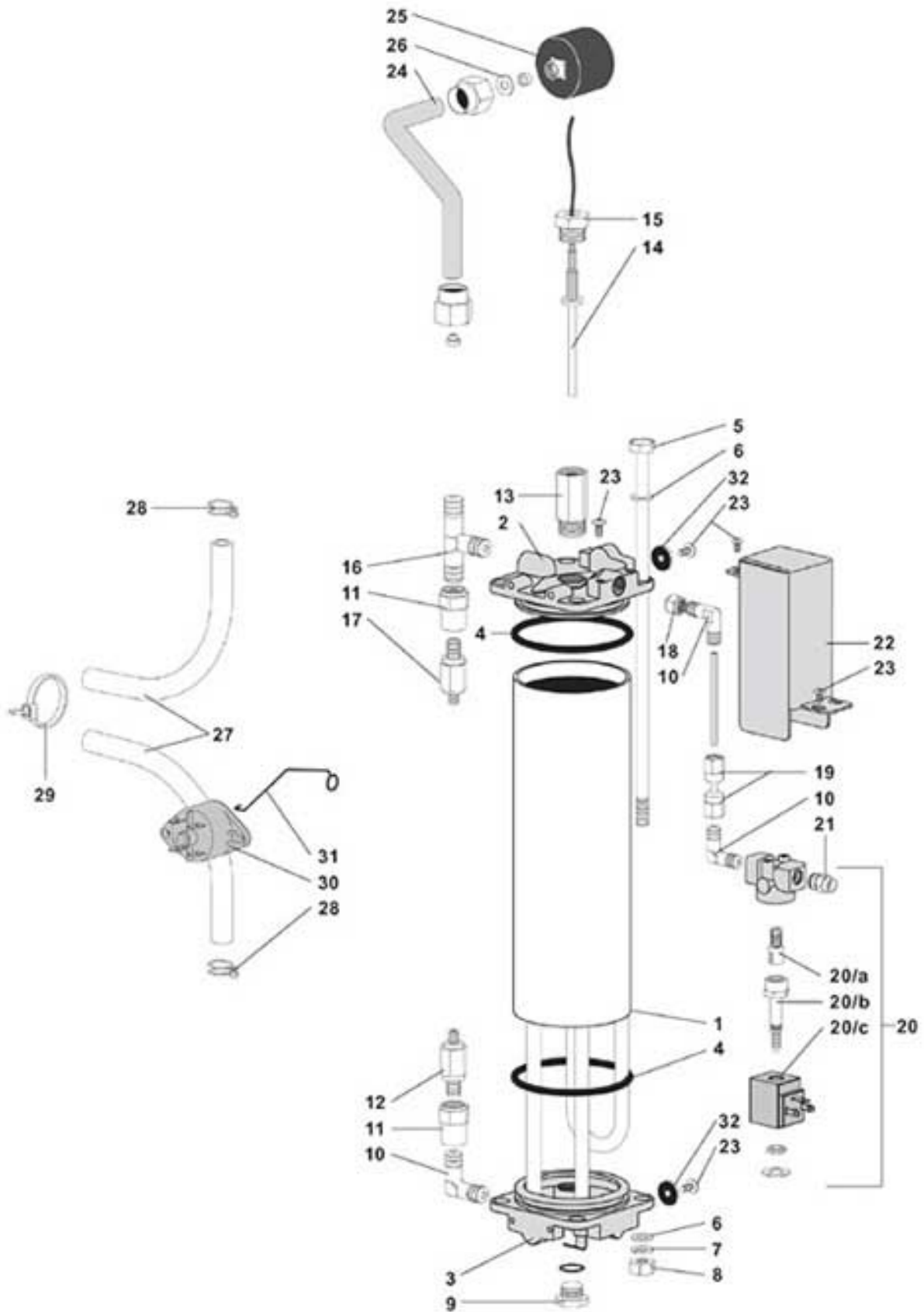
Pos.	Code	Description
1	0250008005	R.H. FRAME It's part of kit 0250008005R
2	0250008084	R.H. INFUSION CHAMBER CAM
3	0250008009	CONNECTING ROD
4	0250008028	PIN FOR CONNECTING ROD
5	0250008011	R.H. CRANK
6	0250008014	MOTOR CRANK PIN
7	0250008042	ANTIVIBRATION WASHER
8	VIT0006515	D.5 RADIAL STOP RING
9	0250008031	R.H. REAR GUIDE
10	VIT0002026	3.5x 6.5 STAINLESS STEEL TAPPING TCB SCREW
11	0250008033	FRONT GUIDE
12	0250008006	L.H. FRAME It's part of kit 0250008005R
13	0250008085	L.H. INFUSION CHAMBER CAM
14	0250008032	L.H. REAR GUIDE
15	0250008086	UPPER FILTER SUPPORT
16	0250008024	UPPER FILTER SPRING
17	0250008087	SPRING COVER PIPE
18/a	0250008086	UPPER FILTER SUPPORT FOR COFFEE BEANS GROUP D. 36
18/b	0250008208	D.40 UPPER FILTER FOR COFFEE BEANS GROUP D. 40
	0250008208IC	D.40 UPPER FILTER FOR COFFEE BEANS GROUP D. 40 ORANGE RAL 2011
19/a	0250008099	FILTER FOR COFFEE BEANS GROUP D. 36
19/b	0250008211	FILTER D.40 FOR COFFEE BEANS GROUP D. 40
20/a	VIT0001202	M 3x14 TSP SCREW
20/b	VIT0000121	M 3x8 TSP SCREW
21/a	GUA0000080	SILICONE 4112 OR FOR COFFEE BEANS GROUP D. 36
21/b	GUA0000097	SILICONE 4131 OR FOR COFFEE BEANS GROUP D. 40
22	VIT0006513	D.8 STAINLESS STEEL INSIDE SEEGER
23/a	0250008046R	INFUSION CHAMBER FOR COFFEE BEANS GROUP D. 36
23/b	0250008206R	INFUSION CHAMBER D.40 FOR COFFEE BEANS GROUP D. 40
24	GUA0000065	SILICONE OR 112
25	0250008053	LOWER INLET CUP BUSH
26	0250008029	GLASS BUSH PIN
27/a	0250008108	FILTER SUPPORT SHFT It's part of kit 0250008108R
27/b	0250008122	LOWER FILTER FOR COFFEE BEANS GROUP D. 36
27/c	0250008209	LOWER FILTER D.40 FOR COFFEE BEANS GROUP D. 40
	0250008209IC	LOWER FILTER D.40 FOR COFFEE BEANS GROUP D. 40 ORANGE RAL 2011
28	0250008106	LOWER FILTER ROLL SUPPORT
29	0250008021	ROLL SHAFT
30	0250008022	ROLL SHAFT
31	VIT0006516	D.3.2 RADIAL STOP RING
33	0250008083	FILTER EJECTION CAM
34	0250008016	R.H. FILTER RECOVERY CAM
35	0250008017	L.H. FILTER RECOVERY CAM
36	0250008036	COFFEE CONE
37	VIT0004803	STAINLESS STEEL NUT M4
38	0250008035	SETTING PLATE
39	VIT0000032	M 4x8 INOX TCB SCREW
40	VIT0003309	4.3x16x1.5 STAINLESS STEEL FLAT WASHER
41	VIT0005523	4x60 STAINLESS STEEL TCEI SCREW
42	VIT0004810	M 4 SELFLOCKING NUT
43	VIT0002461	SCREW TCCRT 4,2 x 26
44	0250008039	L.H. FRAME COVER
	0250008039CM	L.H. FRAME COVER MERCEDES GREY RAL 9006
	0250008039IC	L.H. FRAME COVER ORANGE RAL 2011
45	0250008048	KEY FOR NUT
46	0250008110CL	WATER INLET PIPER ASSEMBLY
47	VIT0009203	M 3 CONNECTION FOR THERMOPLASTIC
48	VIT0003451	GROWER SPRING WASHER
50	0250008088	WASHER FOR CHAMBER CAM
51	0250008109R	D.36 LOWER FILTER+ROLL SUPPORT ASSEMBLY
52	GUA0000061	2010 VITON OR
53	0250008107R	LOWER FILTER ROLL SUPPORT
54	0250008130CL	COFFEE OUTLET PIPE ASSEMBLY
55	FASC000105	PIPES CLIP
56	TSIL06/09T	TRANSPARENT SILICONE PIPE D.6 x 9
57	0380010657NA	DISPENSER PIPE
100	0250008001R	MICRO COFFEE GROUP FOR COFFEE BEANS GROUP D. 36
101	0250008201R	MICRO COFFEE GROUP D.40 FOR COFFEE BEANS GROUP D. 40
102	0250008026R	D.36 UPPER FILTER ASSEMBLY FOR COFFEE BEANS GROUP D. 36
103	0250008208R	D.40 UPPER FILTER ASSEMBLY FOR COFFEE BEANS GROUP D. 40
104	0250008108R	D.36 LOWER FILTER

assieme



LUCE PUBBLICO - HEATED MICRO COFFEE GROUP

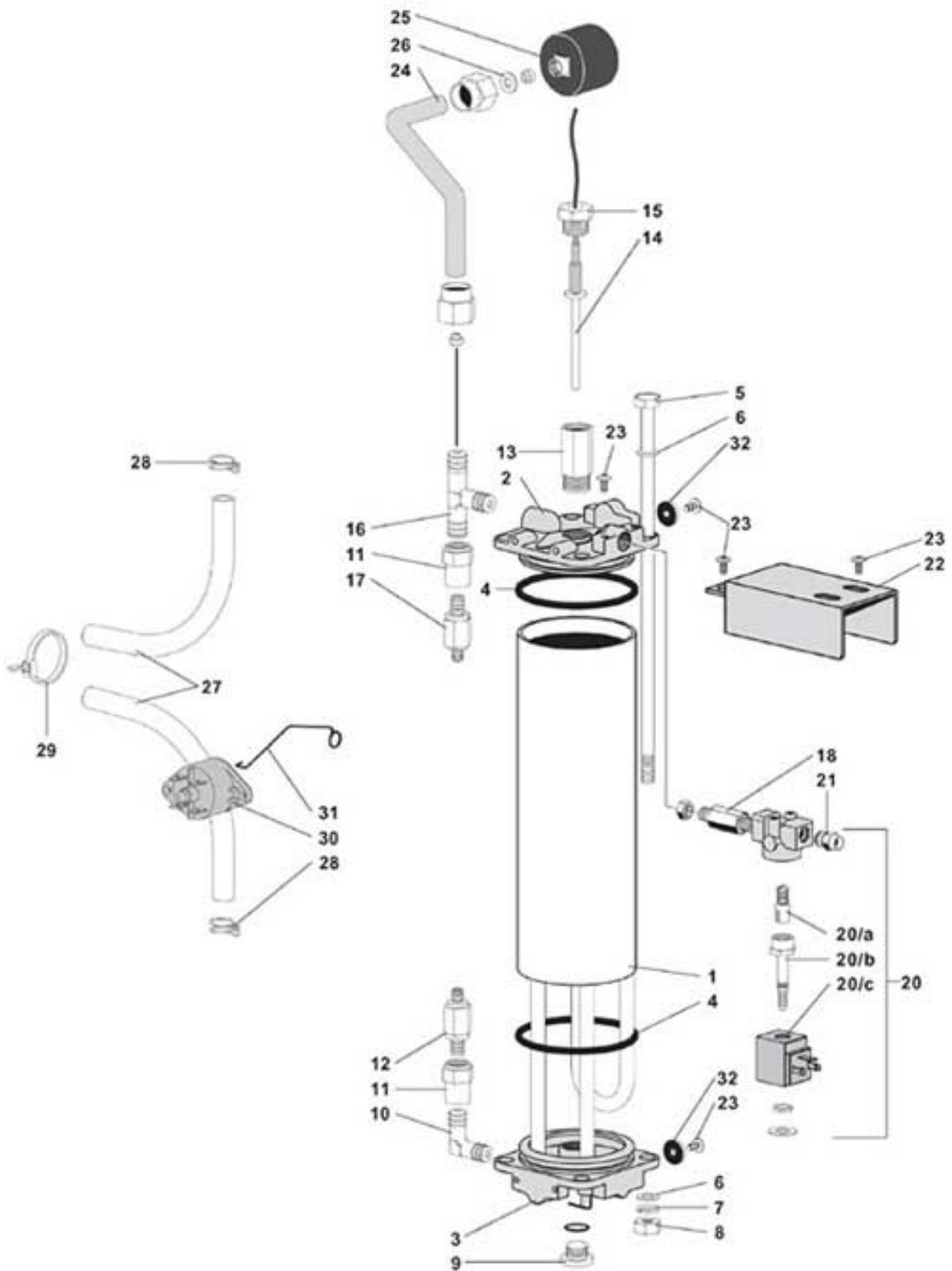
Pos.	Code	Description
1	0250008005	R.H. FRAME It's part of kit 0250008005R
2	0250008084	R.H. INFUSION CHAMBER CAM
3	0250008009	CONNECTING ROD
4	0250008028	PIN FOR CONNECTING ROD
5	0250008011	R.H. CRANK
6	0250008014	MOTOR CRANK PIN
7	0250008042	ANTIVIBRATION WASHER
8	VIT0006515	D.5 RADIAL STOP RING
9	0250008031	R.H. REAR GUIDE
10	VIT0002026	3.5x 6.5 STAINLESS STEEL TAPPING TCB SCREW
11	0250008033	FRONT GUIDE
12	0250008006	L.H. FRAME It's part of kit 0250008005R
13	0250008085	L.H. INFUSION CHAMBER CAM
14	0250008032	L.H. REAR GUIDE
15	0250008086	UPPER FILTER SUPPORT
16	0250008024	UPPER FILTER SPRING
17	0250008087	SPRING COVER PIPE
18	0250008026	D.36 UPPER FILTER
19	0250008019	FILTER
20	VIT0000121	M 3x8 TSP SCREW
21	GUA0000080	SILICONE 4112 OR
22	VIT0006513	D.8 STAINLESS STEEL INSIDE SEEGER
23	0250008215R	INFUSION CHAMBER WITH GROUNDS CHUTE
24	GUA0000065	SILICONE OR 112
25	0250008053	LOWER INLET CUP BUSH
26	0250008029	GLASS BUSH PIN
27/a	0250008108	FILTER SUPPORT SHFT It's part of kit 0250008108R
27/b	0250008122	LOWER FILTER
28	0250008226	ROLL SUPPORT
29	0250008021	ROLL SHAFT
30	0250008022	ROLL SHAFT
31	VIT0006516	D.3.2 RADIAL STOP RING
33	0250008083	FILTER EJECTION CAM
34	0250008016	R.H. FILTER RECOVERY CAM
35	0250008017	L.H. FILTER RECOVERY CAM
36	0250008036	COFFEE CONE
37	VIT0004803	STAINLESS STEEL NUT M4
38	0250008035	SETTING PLATE
39	VIT0000032	M 4x8 INOX TCB SCREW
40	VIT0003309	4.3x16x1.5 STAINLESS STEEL FLAT WASHER
41	VIT0005523	4x60 STAINLESS STEEL TCEI SCREW
42	VIT0004810	M 4 SELFLOCKING NUT
43	VIT0002461	SCREW TCCCRT 4,2 x 26
44	0250008039	L.H. FRAME COVER
	0250008039CM	L.H. FRAME COVER MERCEDES GREY RAL 9006
	0250008039IC	L.H. FRAME COVER ORANGE RAL 2011
45	0250008048	KEY FOR NUT
46	0250008110CL	WATER INLET PIPER ASSEMBLY
47	0250008119	SPRING
48	VIT0003451	GROWER SPRING WASHER
50	0250008213R	COMPLETE HEATING ELEMENT
51	SCH0006880	HEATING ELEMENT POWER BOARD
52	GUA0000061	2010 VITON OR
54	0250008130CL	COFFEE OUTLET PIPE ASSEMBLY
100	0250008220R	HEATED MICRO COFFEE GROUP D.36
101	0250008227R	ASSEMBLED LOWER FILTER ROLL SUPPORT (POS. 28-29-30-31)



LUCCE PUBBLICO - MM 195 MICRO GROUP BOILER

Pos.	Code	Description
1	250020078	JACKET
2	0600012656	FLANGE WITH PIPE
3	250020081	FLANGE WITH 1100 W 230V HEATING ELEMENT
4	GUA0000047	164 VITON OR
5	250020079	TIE-BOLT
6	VIT0003206	D. 8.4x16x1.6 WASHER
7	VIT0003402	D. 8.4 GROWER SPRING WASHER
8	VIT0004506	M 8 NUT
9	0100001064	174 M PLUG + OR
10	0100001019	L FITTING D.6-1/8M CON.
11	0100001007	STRAIGHT CONNECTION 1/8F -1/8 FEMALE
12	0110002003	1/8M INLET - 1/8M OUTLET NON-RETURN VALVE
13	0100003012	SAGOMA PROBE CONNECTION
14	ELE0000954R	4*60 BULB PROBE
15	0600015507	PROBE PLUG
16	0100001030	T UNION D.6-1/8-D.6
17	0110002004	SAFETY VALVE
18	0100001067	INTERMEDIATE MALE FITTING 1/8 - 1/8
19	0600012653CL	COFFEE BOILER - MICRO GROUP VALVE CONNECTING PIPE
20	0110001072	24 DC 1/8 3-WAY VALVE
20/a	0110010020	CORE WITH SPRING FOR 3-WAY VALVE
20/b	0110010035	3-WAY VALVE SLEEVE
20/c	0110010065	8W 24 D.C. COIL
21	0100001070	STRAIGHT CONNECTION 800 - 1/8 VITON
22	0600012663	VALVE SECURING COVER
23	VIT0000030	SCREW TCB M4 x 7
24	0600012654CL	BOILER MANOMETER CONNECTING PIPE
25	0110006001	D.40 0-20 bar MANOMETER - 1(8' REAR CONN.
26	0100003002	COPPER GASKET
27	TSIL07/11T	TRANSPARENT SILICONE PIPE D.7 x 11
28	FASC000102	D.12 PIPES CLIP
29	FASC000201	COLLAR
30	ELE0009001	120° CLICSON
31	250020087	SAFETY SWITCH SECURING SPRING
32	1600001098	SYNTHETIC RUBBER D.4.5 SPACER
100	0600012650CL	COFFEE BOILER mm 195 FOR MICRO GROUP

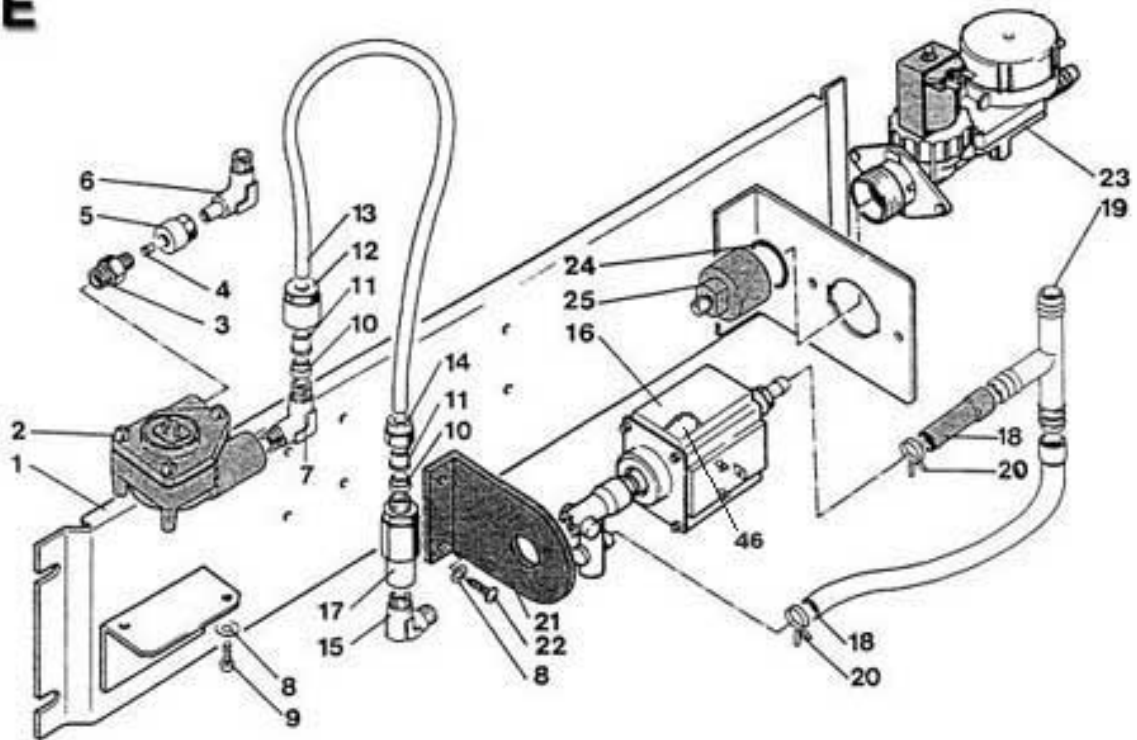
assieme



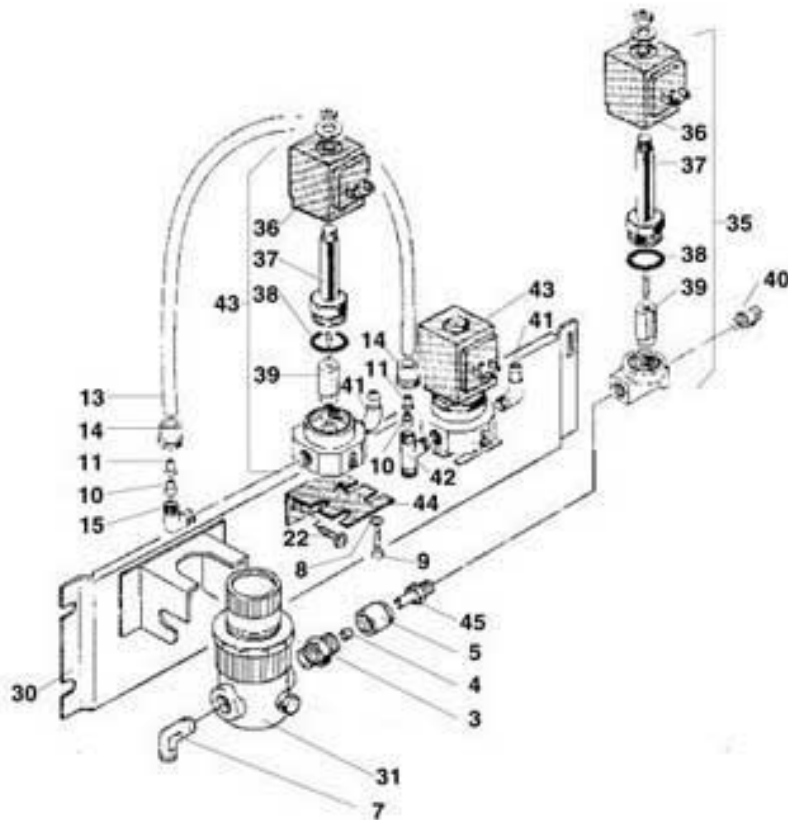
LUCE PUBBLICO - MM 150 MICRO GROUP BOILER

Pos.	Code	Description
1	0600012514	JACKET MM 150
2	0600012656	FLANGE WITH PIPE
3	0600012512	FLANGE WITH 1100W 230 V HEATING ELEMENT It's part of kit 0600012512R
4	GUA0000047	164 VITON OR
5	0600012515	TIE-BOLT MM 177
6	VIT0003206	D. 8.4x16x1.6 WASHER
7	VIT0003402	D. 8.4 GROWER SPRING WASHER
8	VIT0004506	M 8 NUT
9	0100001064	174 M PLUG + OR
10	0100001019	L FITTING D.6-1/8M CON.
11	0100001007	STRAIGHT CONNECTION 1/8F -1/8 FEMALE
12	0110002003	1/8M INLET - 1/8M OUTLET NON-RETURN VALVE
13	0100003012	SAGOMA PROBE CONNECTION
14	ELE0000954R	4*60 BULB PROBE
15	0600015507	PROBE PLUG
16	0100001030	T UNION D.6-1/8-D.6
17	0110002004	SAFETY VALVE
18	0600012658	VALVE BOILER CONNECTION
20	0110001072	24 DC 1/8 3-WAY VALVE
20/a	0110010020	CORE WITH SPRING FOR 3-WAY VALVE
20/b	0110010035	3-WAY VALVE SLEEVE
20/c	0110010065	8W 24 D.C. COIL
21	0100001070	STRAIGHT CONNECTION 800 - 1/8 VITON
22	0600012659	VALVE COVER
23	VIT0000030	SCREW TCB M4 x 7
24	0600012662CL	BOILER MANOMENTER CONNECTING PIPE
25	0110006001	D.40 0-20 bar MANOMETER - 1(8' REAR CONN.
26	0100003002	COPPER GASKET
27	TSIL07/11T	TRANSPARENT SILICONE PIPE D.7 x 11
28	FASC000102	D.12 PIPES CLIP
29	FASC000201	COLLAR
30	ELE0009001	120° CLICSON
31	250020087	SAFETY SWITCH SECURING SPRING
32	1600001098	SYNTHETIC RUBBER D.4.5 SPACER
100	0600012660CL	COFFEE BOILER MM 150 FOR MICRO GROUP assieme

E



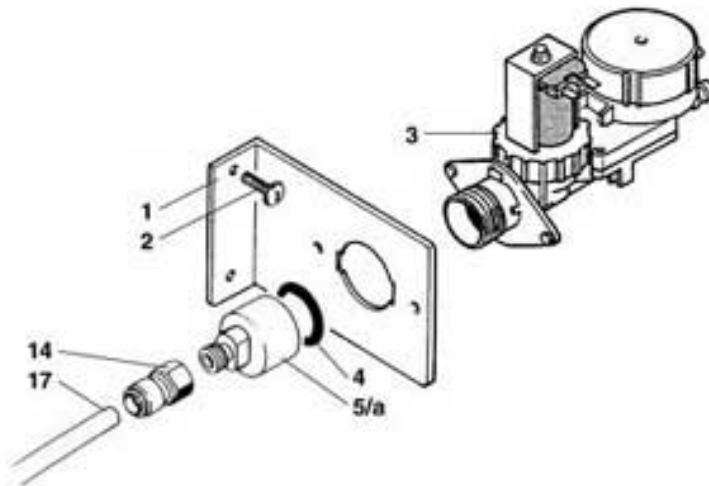
E/FP



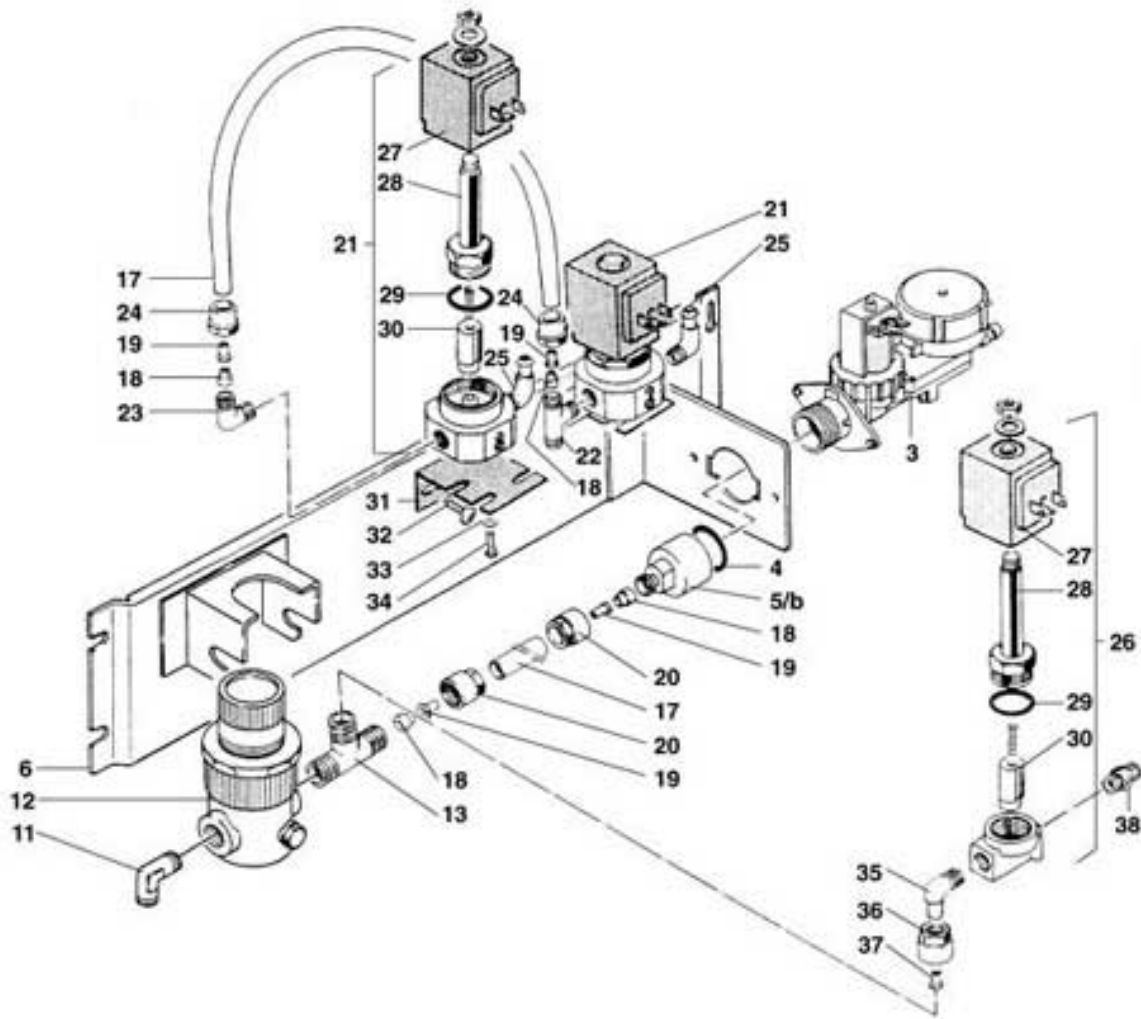
LUCÉ PUBLICO - INLET ASSEMBLY E-E/FP VERSION

Pos.	Code	Description	
1	0810010555	WATER COMPONENTS SUPPORT	
2	0110007001	1/4 VOLUME COUNTER	
3	0100001015	STRAIGHT CONNECTION D.8-1/4 CONIC	
4	0100002003	LOCKING RING D.8	
5	0100001004	NUT FOR D.8-1/4 PIPE FITTING	
6	0100001026	L FITTING D.8-1/4 CAN BE ORIENTED	
7	0100001059	TURNING ELBOW 6-1/4 VITON OR	
8	VIT0003301	WASHER D.12 x 4.3 x 1.5	
9	VIT0000204	M 4X8 TSP SCREW	
10	0100002002	LOCKING RING D.6	
11	0100002005	STRENGTHENING BUSH D.4	
12	0100001003	NUT FOR PIPE FITTING D.6-1/4	
13	TNAY000001	D.6*4 POLYAMIDE PIPE	
14	0100001002	NUT FOR PIPE FITTING D.6	
15	0100001019	L FITTING D.6-1/8M CON.	
16/a	0110004002R	ELECTROMAGNETIC PUMP 12 bar FOR COFFEE BEANS GROUP D. 36	
16/b	0110004021	230V 50 HZ PUMP FOR XS CABINET FOR COFFEE BEANS GROUP D. 40	
17	0110002007	1/8M INLET - 1/8M OUTLET NON-RETURN VALVE	
18/a	TSIL07/11T	TRANSPARENT SILICONE PIPE D.7 x 11 FOR COFFEE BEANS GROUP D. 36	
18/b	TSIL06/11T	TRANSPARENT SILICONE PIPE FOR COFFEE BEANS GROUP D. 40	
19	0100003007	TEE UNION	
20	FASC000101	PIPES CLIP	
21/a	0220001002	PUMP SUPPORT FOR COFFEE BEANS GROUP D. 36	
21/b	0110004022	BRACKET SUPPORT FOR COFFEE BEANS GROUP D. 40	
22	VIT0002401	SCREW TCB 3.5 x 9.5	
23	0110001039	24 DC INLET VALVE W/SAFETY DEV.	
24	GUA0000021	GASKET 130	
25	0810010556	1/4'M GAS VALVE CONNECTION	
30	0810010588	WATER COMPONENTS SUPPORT	
31	0110003007	WATER MICROREGULATOR 1/4 0-8 bar	
35	0110001064	24 DC 1/8 VALVE WITHOUT/SETTING	
36	0110010065	8W 24 D.C. COIL	
37	0110010088	2-WAY VALVE SLEEVE	
38	0110010009	OR FOR 2-WAY VALVE	
39	0110010021	CORE WITH SPRING FOR 2-WAY VALVE	
40	0100001017	STRAIGHT CONNECTION D.6-1/8M CON.	
41/a	820001039	ELBOW TO RUBBERHOLDER CONNECTION FOR COFFEE BEANS GROUP D. 36	
41/b	0110004023	PIPETTE FOR COFFEE BEANS GROUP D. 40	
42	0100001030	T UNION D.6-1/8-D.6	
43	0110001076	24 DC 1/8 2-WAY VALVE WITH SETTING	
44	0810010211	VALVE SUPPORT BRACKET	
45	9003001040	WATER INLET VALVE CONNECTION	
46	ELE0000915	THERMIC PROTECTION FOR COFFEE BEANS GROUP D. 40	
100	0810010100CL	E DC VERSION INLET ASSEMBLY FOR COFFEE BEANS GROUP D. 36	assieme
101	0810010101CL	E/FP VERSION - 2 DC VALVES ASSEMBLY FOR COFFEE BEANS GROUP D. 36	
102	0810010107CL	E/FP VERSION - 2 DC VALVES ASSEMBLY FOR COFFEE BEANS GROUP D. 36	assieme
103	0810010128CL	LUCÉ E DC EX 7 VERSION ASSEMBLY FOR COFFEE BEANS GROUP D. 40	

H

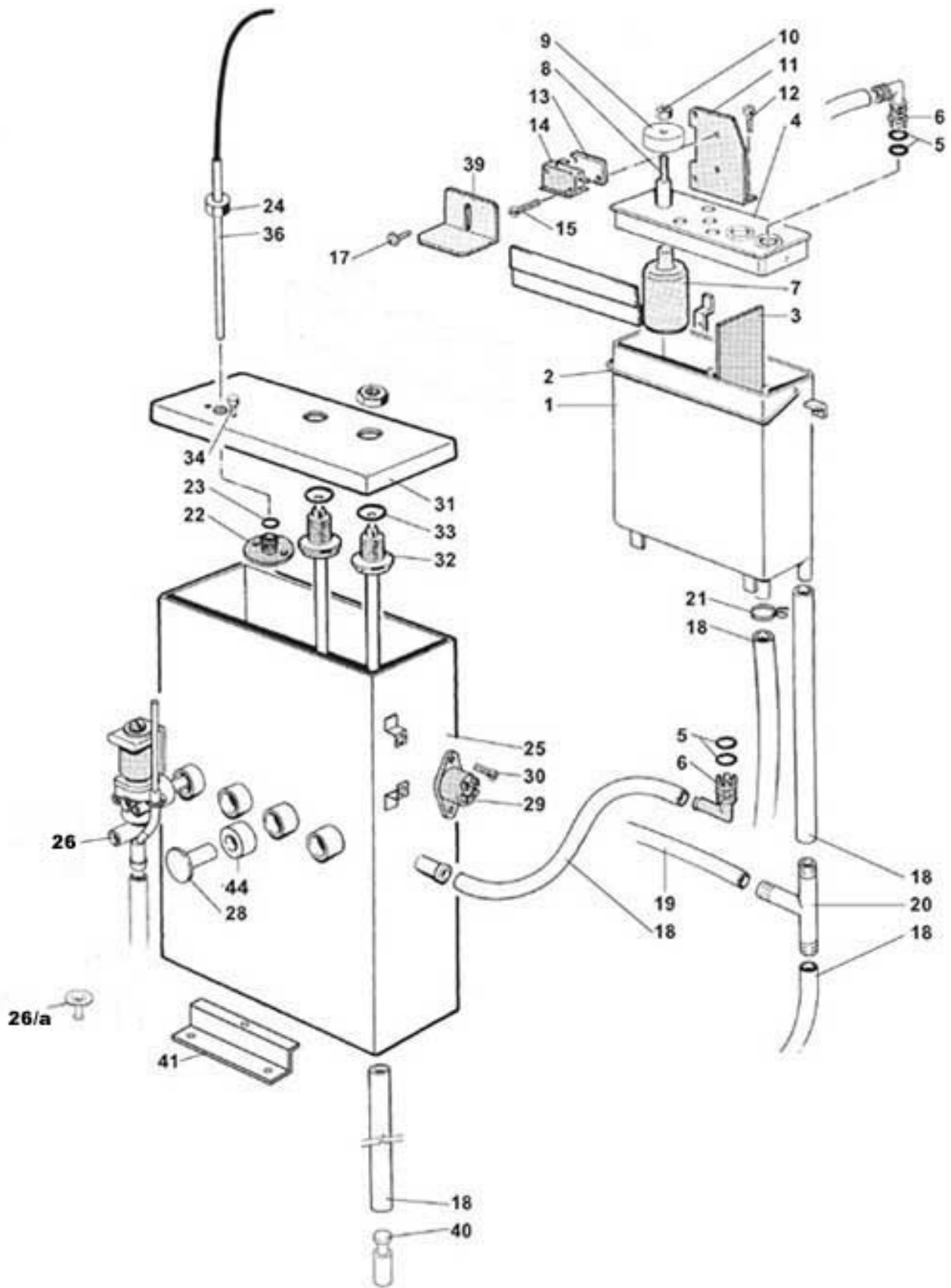


H/FP



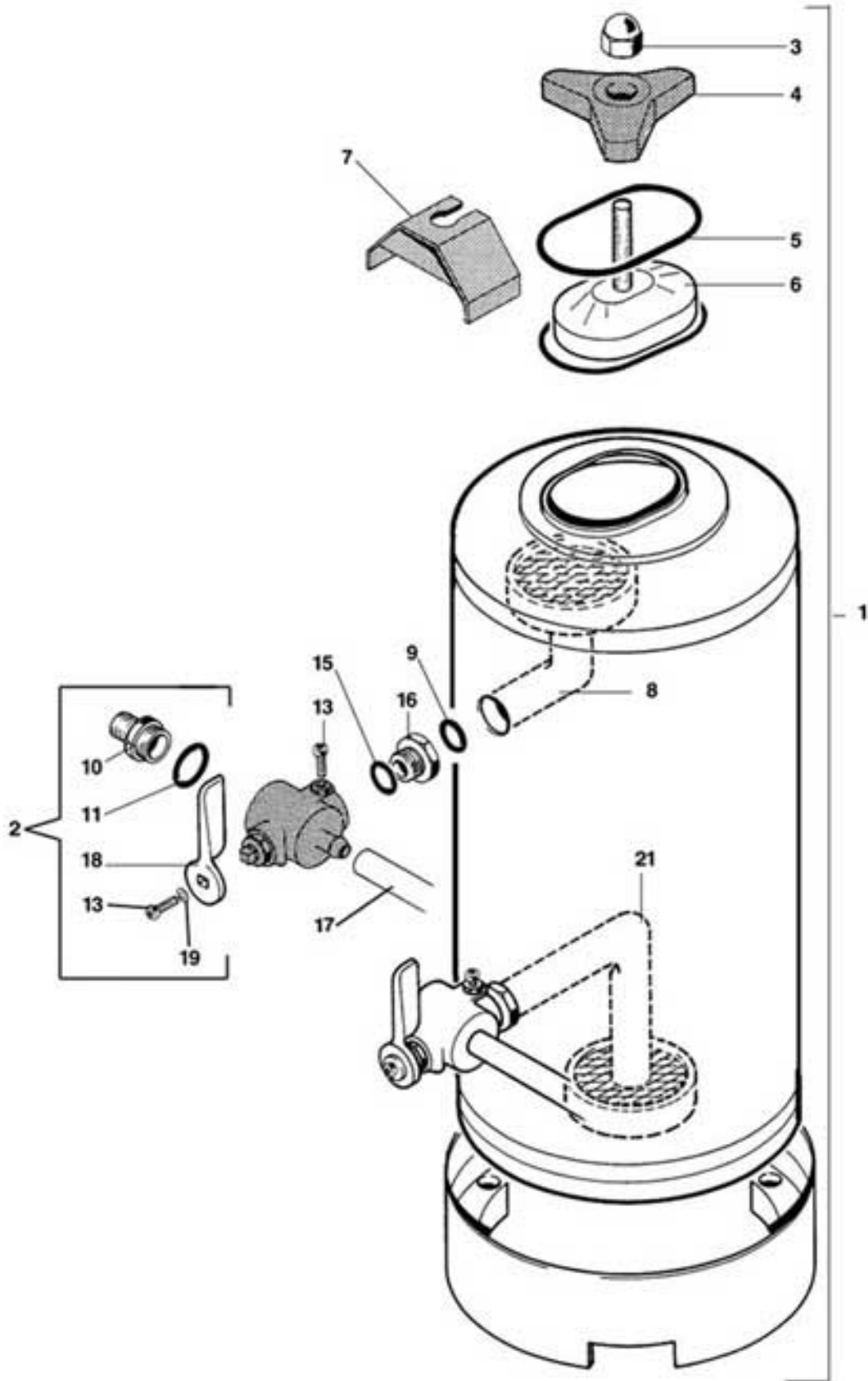
LUCÉ PUBLICO - INLET ASSEMBLY H-H/FP VERSION

Pos.	Code	Description	
1	0070012111	WATER INLET VALVE SUPPORT	
	0070012111CK	WATER INLET VALVE SUPPORT DUST GREY RAL 7037	
2	VIT0000030	SCREW TCB M4 x 7	
3	0110001039	24 DC INLET VALVE W/SAFETY DEV.	
4	GUA0000021	GASKET 130	
5/a	0010019223	3/8 GAS M WATER INLET VALVE CONNECTION	
5/b	0810010556	1/4" GAS VALVE CONNECTION	
6	0810010587	WATER COMPONENTS SUPPORT	
11	0100001059	TURNING ELBOW 6-1/4 VITON OR	
12	0110003007	WATER MICROREGULATOR 1/4 0-8 bar	
13	0100001039	T UNION 1/4-D.8-D.8	
14	0100005003	STRAIGHT TERMINAL D.6 - 1/4 F.	
17	TNAY000001	D.6*4 POLYAMIDE PIPE	
18	0100002002	LOCKING RING D.6	
19	0100002005	STRENGTHENING BUSH D.4	
20	0100001003	NUT FOR PIPE FITTING D.6-1/4	
21	0110001076	24 DC 1/8 2-WAY VALVE WITH SETTING	
22	0100001030	T UNION D.6-1/8-D.6	
23	0100001019	L FITTING D.6-1/8M CON.	
24	0100001002	NUT FOR PIPE FITTING D.6	
25	820001039	ELBOW TO RUBBERHOLDER CONNECTION	
26	0110001064	24 DC 1/8 VALVE WITHOUT/SETTING	
27	0110010065	8W 24 D.C. COIL	
28	0110010088	2-WAY VALVE SLEEVE	
29	0110010009	OR FOR 2-WAY VALVE	
30	0110010021	CORE WITH SPRING FOR 2-WAY VALVE	
31	0810010211	VALVE SUPPORT BRACKET	
32	VIT0002401	SCREW TCB 3.5 x 9.5	
33	VIT0003301	WASHER D.12 x 4.3 x 1.5	
34	VIT0000204	M 4X8 TSP SCREW	
35	250020146	ELBOW CONNECTION	
36	0100001004	NUT FOR D.8-1/4 PIPE FITTING	
37	0100002003	LOCKING RING D.8	
38	0100001017	STRAIGHT CONNECTION D.6-1/8M CON.	
100	0810010108CL	H/FP VERSION INLET ASSEMBLY W/SAF. DEVICE	assieme

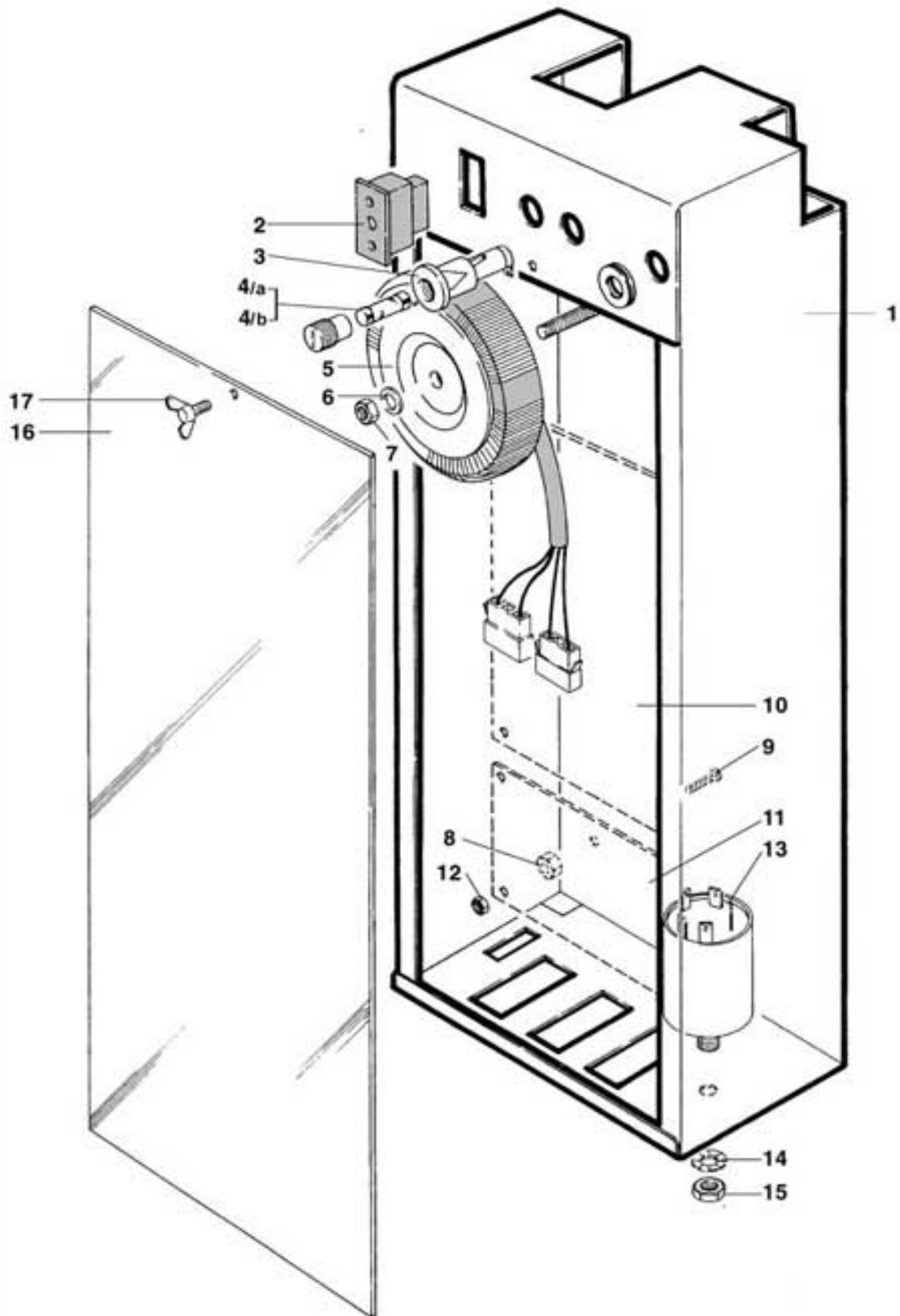


LUCE PUBLICO - WATER INLET PANEL

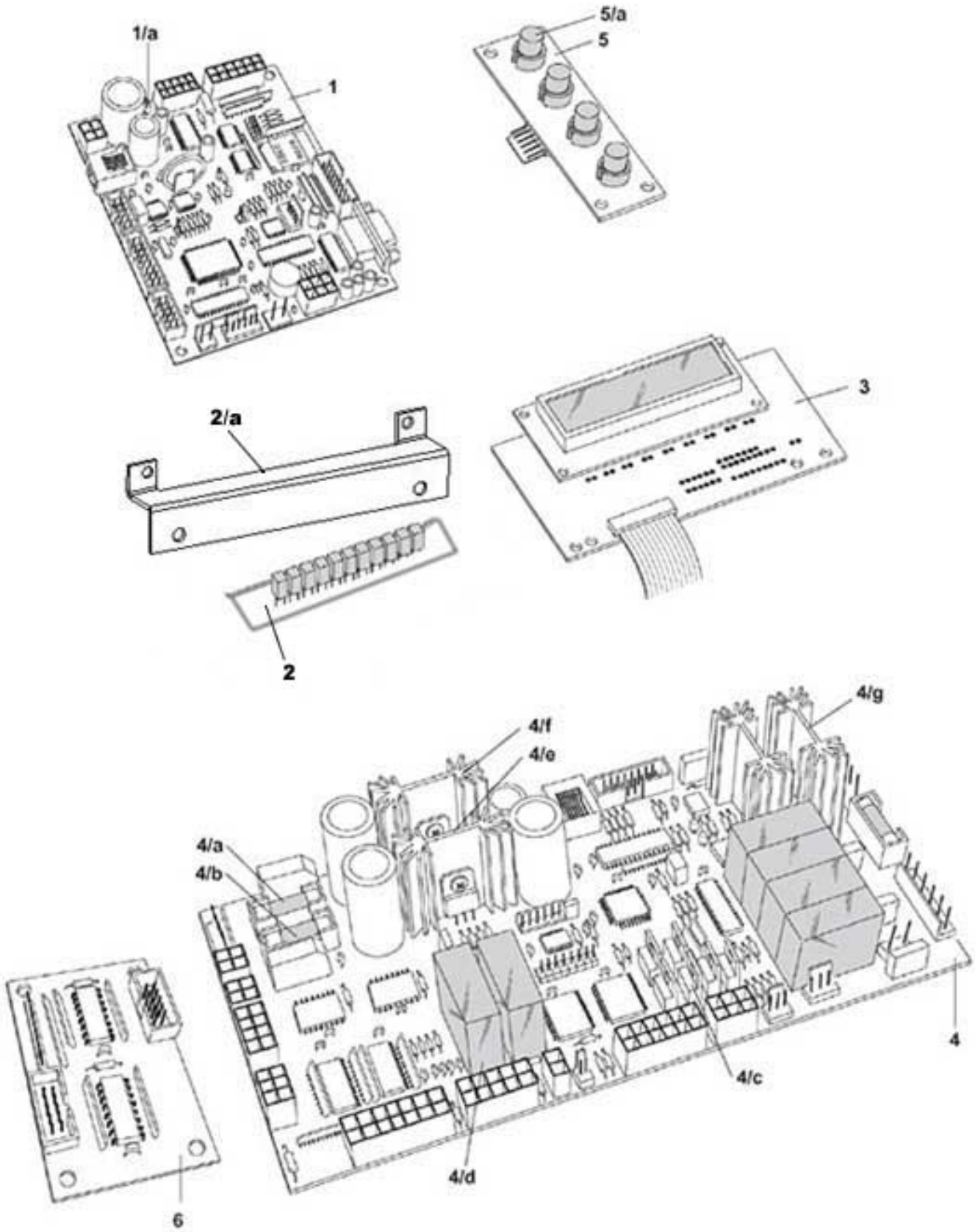
Pos.	Code	Description
1	0800009201	SOLUBLE TANK BODY It's part of kit 0800009201R
2	800000035	COVER SECURING RING
3	800000010	TANK INTERNAL WALL
4	0800009221	TANK COVER It's part of kit 0800009201R
5	GUA0000043	OR 109
6	0800009211	ELBOW WITH RAPID CONNECTION
7	600001065	FLOATER
8	800000016	STAINLESS STEEL FLOATER PIN
9	800000017	MICRO FLOATER CONTROL DISK
10	VIT0004812	M 3.5 BRASS NUT
11	800000020A	MICRO FLOATER SUPPORT
12	VIT0002014	TAPPING SCREW TCB 2.9 x 13
13	4600010014	MICRO SPACER
14	ELE0001514	3 A 250 V MICROSWITCH
15	VIT0002012	2.9x 16 TAPPING TCB SCREW
17	VIT0002401	SCREW TCB 3.5 x 9.5
18	TSIL07/11T	TRANSPARENT SILICONE PIPE D.7 x 11
19	TSIL05/08T	TRANSPARENT SILICONE PIPE D.5 x 8
20	0100003003	TEE UNION
21	FASC000109	D.12 PIPES CLIP
22	NL202101016	SOLUBLES PROBE SUPPORT
23	GUA0000069	2015 OR
24	0600011107	SOLUBLES PROBE NUT
25/a	0600012011	4-VALVE SOLUBLES BOILER TANK
25/b	0600011011	3-VALVE SOLUBLES BOILER TANK
26	0110001098	24 V DC 2-WAY VALVE - MULLER
26/a	0110010131	VALVE MEMBRANE
28	0600011036	VALVE CONNECTION PLUG
29	ELE0009015	90° CLICSON
30	VIT0000014	M 4x16 TCB SCREW
31	0600011101	COVER
32	0600011105	1300W 230V INCOLOY SOLUBLES HEATING ELEMENT
33	GUA0000016	GASKET 121
34	VIT0001105	M 3x8 STAINLESS STEEL H.H. SCREW
36	ELE0000955R	4*125 BULB PROBE FOR SOLUBLES
39	0810011025	BOILER COVER STOP
40	650001057	DISCHARGE PLUG
41	0010015141	BOILER LOWER BRACKET
44	GUA0002006	GASKET 4979



Pos.	Code	Description	
1	0060002001	SWEETENER ASSEMBLY	assieme
2	0060002030	COCK ASSEMBLY	assieme
3	0060002031	SWEETENER NUT WITH SPHERIC COVER	
4	0060002032	SWEETENER COVER WHEEL	
5	GUA0000035	OR FOR SWEETENER COVER	
6	0060002033	SWEETENER COVER	
7	0060002034	SWEETENER BRIDGE	
8	0060002035	SWEETENER UPPER FILTER	
9	GUA0000018	GASKET 125	
10	0060002036	SWEETENER COCK CONNECTION	
11	GUA0000013	GASKET 117	
13	VIT0001005	SCREW T.C.B. M 4 x 12	
15	0060002037	SWEETENER R 9 GASKET	
16	0060002038	SWEETENER NUT D. 20*1.5	
17	TSIL06/09T	TRANSPARENT SILICONE PIPE D.6 x 9	
18	0060002039	SWEETENER HANDLE	
19	VIT0003301	WASHER D.12 x 4.3 x 1.5	
21	0060002040	SWEETENER LOWER FILTER	

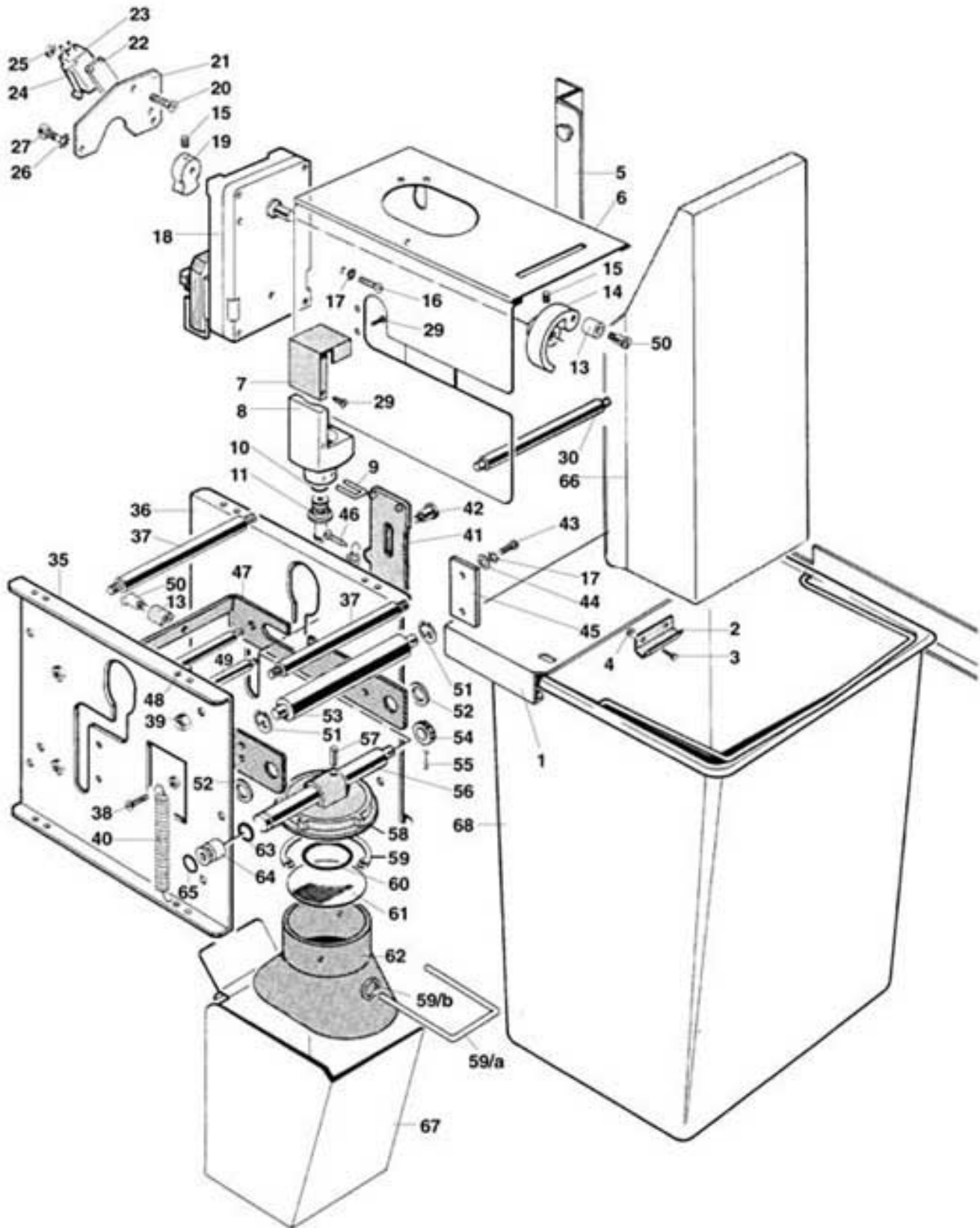


Pos.	Code	Description
1	0130011555	CONTROL PANEL STRUCTURE
2	ELE0002305	10 A 250 V SOCKET
3	ELE0003507	FUSES HOLDER
4/a	ELE0003023	4 A 6.3x32 SLOW-BLOW CERAMIC TYPE FUSE
4/b	ELE0003024	SLOW-BLOW CERAMIC TYPE 6.3A FUSES 5 x 20
5/a	ELE0000561R	TOROIDAL TRANSFORMER
5/b	ELE0000565R	150VA E.230V-U.26-8,6V TOROIDAL TRANSFORMER
6	VIT0003005	6.4x12.5x1.6 FLAT WASHER
7	VIT0004505	NUT M6
8	0020018125	BOARD SPACER
9	VIT0000003	M 3x8 TCB SCREW
10		See table CONTROL AND POWER LOGIC
11		See table CONTROL AND POWER LOGIC
12	VIT0004502	M3 NUT
13	ELE0009055	ANTIPARASITIC FILTER
14	VIT0003106	WASHER tab D. 8
15	VIT0004506	M 8 NUT
16	0130011561	CONTROL PANEL COVER
17	VIT0007008	M 4 x 10 SCREW
18	ELE0001014	24 V DC RELAY

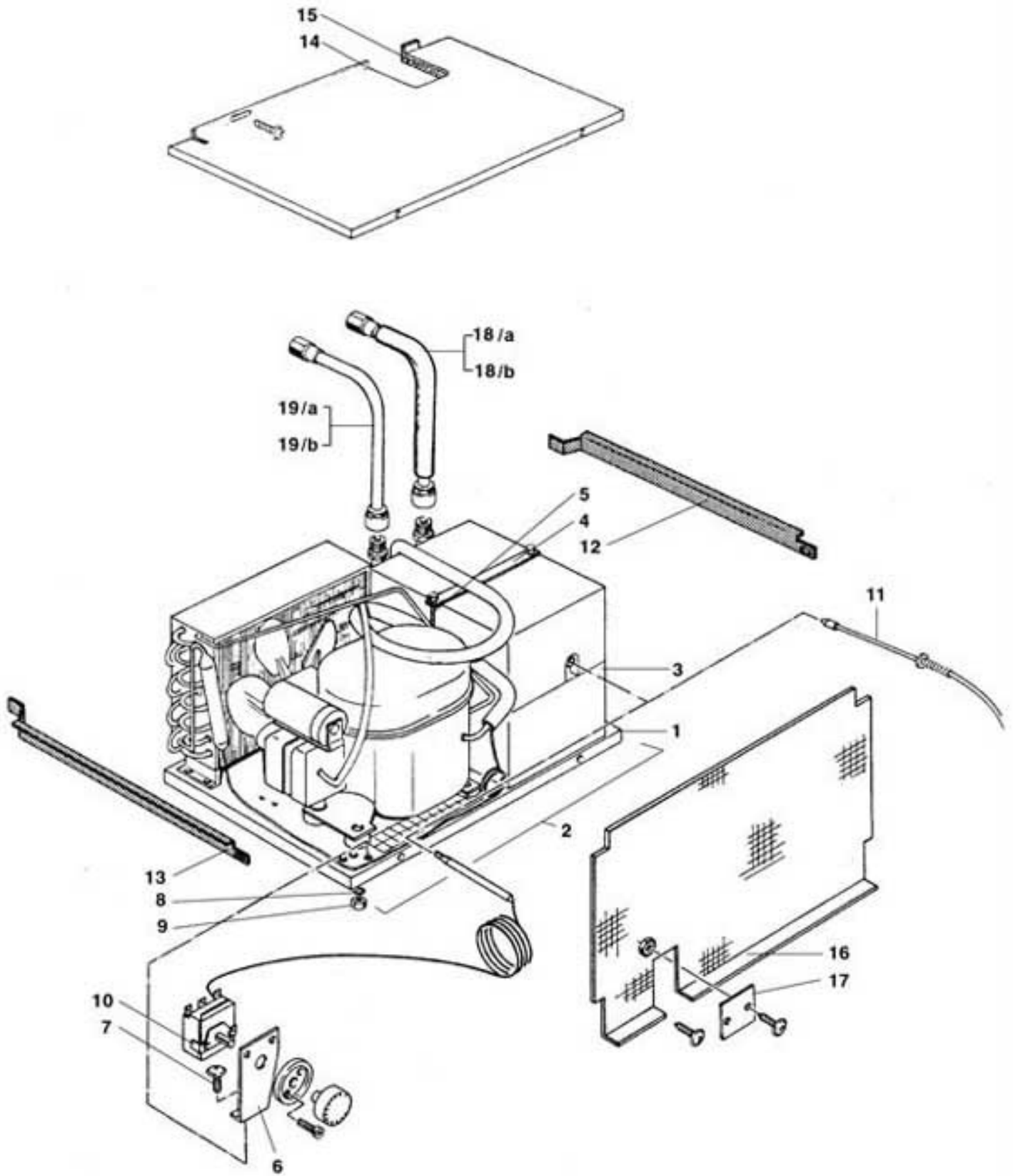


LUCE PUBBLICO - CONTROL AND POWER LOGIC

Pos.	Code	Description
1	SCH0007220	CPU W/HOLDER BATTERY
2	SCH0004780	SUGAR LED
2/a	0020029941	SUGAR LED BOARD FIXING PLATE
3	SCH0004680	LCD DISPLAY WITHOUT SUGAR QUANTITY
4	SCH0005140	POWER CARD
4/a	ELE0003025	2A RAPID GLASS FUSE 5x20
4/b	ELE0003028	6,3A SLOW-BLOW GLASS FUSE 5x20
4/c	ELT0004005	TRANSISTOR BC 327-25 MOTOROLA
4/d	ELT0007151	1-WAY 24V D.C. 10A RELAY
4/e	ELT0004028	TRANSISTOR VNP14NV04-E ST
4/f	ELT0030301	INTEGRATED CIRCUIT 7805
4/g	ELT0004209	TRIAC TRIAC 16 A
5	SCH0003980	PROG./WASHING KEYBOARD
5/a	ELT0030704	D6 ROUND KEY
6	SCH0004940	KEYBOARD EXPANSION



Pos.	Code	Description	
1	0240002145	BIN SUPPORT	
2	2500002110	GOUNDS BAG SUPPORT STOP	
3	VIT0000003	M 3x8 TCB SCREW	
4	VIT0004502	M3 NUT	
5	0240002118	TEA HOUSING SUPPORT	
6	0240002105	TEA HOUSING	
7	0240002112	FLUX-BREAKER COVER	
8	0240002025	TEA OUTLET CONNECTION	
9	0240002028	ASSEMBLY SPRING	
10	GUA0000043	OR 109	
11	0240002111	RUBBERHOLDE CONNECTION	
13	0200001011	CONTROL CONNECTING ROD ROLL	
14	0240002019	TEA GROUP CAM It's part of kit 0240002019R	
15	VIT0007002	M 4 x 6 DOWEL	
16	VIT0000014	M 4x16 TCB SCREW	
17	VIT0003103	WASHER tab D. 4.3	
18	0090002104	24V DC 10 RPM TEA GEAR MOTOR	
19	0240002010	TEA MICRO CAM	
20	VIT0000105	M 3x20 TSP SCREW	
21	0240002013	TEA MICRO STAINLESS STEEL SUPPORT	
22	4600010014	MICRO SPACER	
23	ELE0001522	1-WAY 16 A 250 V MICROSWITCH	
24	ELE0001906	161 E R 24.1 MICRO LEVER	
25	VIT0004701	M3 FR NUT	
26	VIT0003105	WASHER tab D. 6.4	
27	VIT0005503	M 6x14 TCEI SCREW	
29	VIT0002052	2.9x 6.5 TAPPING TCB SCREW	
30	0240002108	SPACER	
35	0240001006	L.H. FRAME	
36	0240001007	R.H. FRAME	
37	0240001017	FRAMES INOX SPACER	
38	0240001022	SPRING HOOKING SCREW M 4x12	
39	VIT0004810	M 4 SELFLOCKING NUT	
40	0240001026	STAINLESS STEEL RACK SPRING	
41	0240001014	RACK	
42	0240001021	STAINLESS STEEL RACK SLIDING SCREW	
43	VIT0001004	M 4x6 STAINLESS STEEL TCB SCREW	
44	VIT0003202	STAINLESS STEEL FLAT WASHER D.4,3 x 9 x 0,8	
45	0240001016	GEAR PLATE	
46	VIT0002015	TAPPING SCREW TCB 3,5 x 9,5	
47	0240001008	TEA CUP CONTROL LEVER	
48	0240001018	CUP STOP PIN	
49	0240001025	STAINLESS STEEL LEVER STOP PIN	
50	0240001032	PIN FOR ROLL	
51	VIT0006511	D.7 RADIAL STOP RING	
52	0240001024	NYLON LEVER SHAFT WASHER	
53	0240001019	CUP CONTROL LEVER SHAFT	
54	0240001015	CYLINDRICAL GEAR	
55	VIT0005011	1.5x8 SPRING PIN	
56	0240001013	CUP MOVEMENT SHAFT	
57	VIT0005214	3 x 20 A4 CYLINDRICAL PIN	
58	0240001029	FILTER SUPPORT	
59	VIT0006603	D.42 RADIAL STOP RING FOR HOLE	
59/a	0240001033	CUP SECURING CONNECTION	
59/b	2500003005	FLOATER RING	
60	GUA0000033	3143 OR	
61	0240001036	D.40 - P.0.85 - SP-0.15 FILTER	
62	0240001034	TEA CUP FOR CONNECTION	
63	GUA0000048	2031 OR	
64	0240002113	TEA GROUP SHAFT EXTENSION	
65	GUA0000004	GASKET 104	
66	0240002107	TEA GROUP POSITIONING SHEET	
67	0240002115	TEA GROUNDS FEEDER	
68	CON0000204	MINI-LINE RECTANGULAR BIN	
100	0240001029R	FILTER SUPPORT ASSEMBLY	assieme
101	0240001034R	TEA CUP + CONNECTION	assieme
102	0240002150CL	TEA GROUP SUPPORT	assieme
103	0240001001/12	TEA INFUSION GROUP	



LUCE PUBBLICO - FP REFRIGERATING GROUP

Pos.	Code	Description	
1	550000001	REFRIGERATING SUPPORT	
2	0550050005	REFRIGERATING GROUP WIHT HEATING ELEMENTS	
3	0550006015	POLYSTYRENE HALF-SHELL	
4	0550006006	TANK SECURING PLATE	
5	0550006005	TANK SECURING TIE-BOLT	
6	3003001036	THERMOSTAT SUPPORT	
7	VIT0000030	SCREW TCB M4 x 7	
8	VIT0003103	WASHER tab D. 4.3	
9	VIT0004503	NUT M 4	
10	ELE0000918	REMOTE THERMOSTAT	
11	ELE0000957R	FP TEMPERATURE PROBE	
12	0010018316	R.H. SUPPORT	
13	0010018317	L.H. SUPPORT	
14	0550004055	REFRIGERANTED PLAN	
15	0550004018	POLYSTYRENE	
16	0550004021	REFRIGERANTING GROUP PROTECTION	
17	0550004044	FP THERMOSTAT PROTECTION	
18	0810010047CL	REFRIG OUTLET PIPE TO VALVE E-H-FP ASSEMBLY	
19	0810010062CL	VALVE PIPE W/SETTING TO REFRIGERATING INLET E/FP	
100	0550003006CL	REFRIG. GROUP FP W/THERMOSTAT	assieme
101	0550003008CL	REFRIGERATING GROUP WITH PROBE	assieme