

Bianchi Vending Group - Spare Parts  
Catalog related to :

 **Ho.re.ca Machines**  
 **BV 342 - SOFIA**

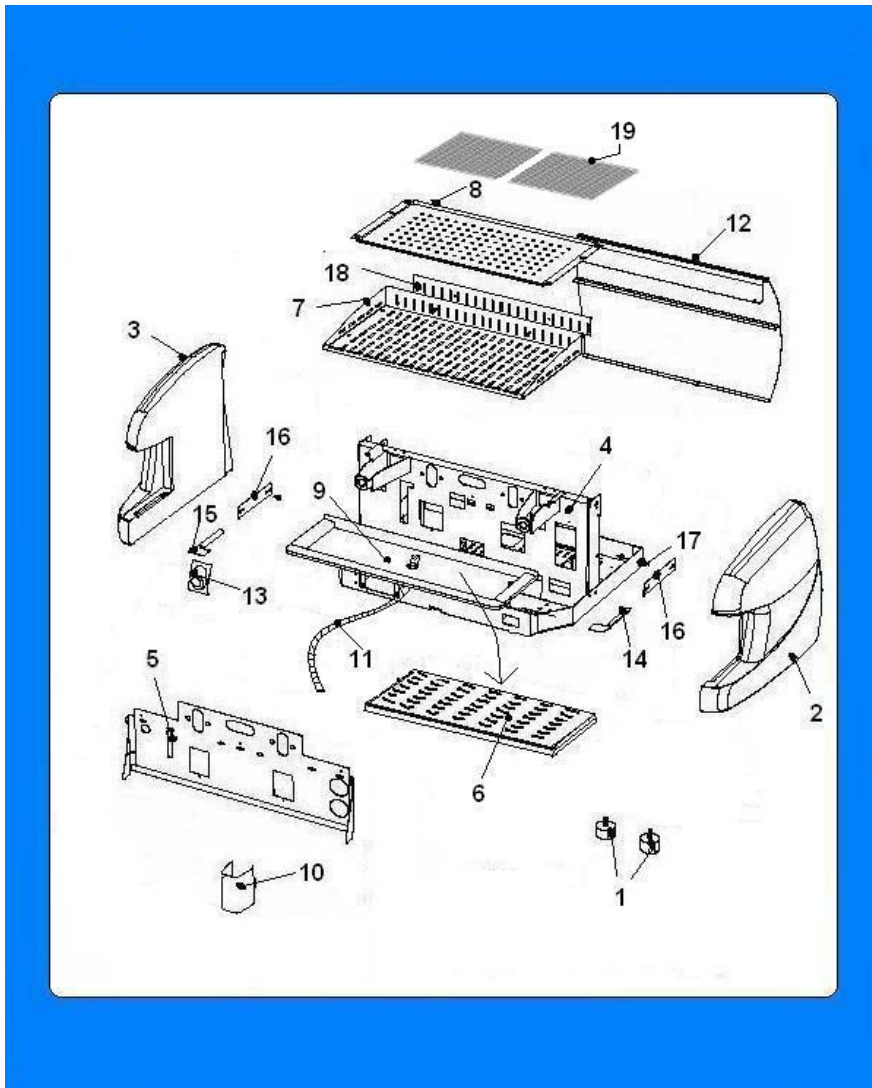
## Summary

<b>Ho.re.ca Machines   BV 342 - SOFIA</b>	<b>1</b>
<b>Ho.re.ca Machines   BV 342 - SOFIA   BV342E2G01AR - SOFIA 2GR DOSATA</b>	<b>2</b>
FRAME (733)	3
PORTAFILTRI (736)	5
GRUPPO COMPLETO (738)	7
STEAM REGULATOR (740)	9
TUBAZIONI MASSELLO (741)	11
ELECTRICAL CIRCUIT (735)	13
BOILER PIPES (746)	15
<b>Ho.re.ca Machines   BV 342 - SOFIA   BV342E2G02AR - SOFIA 2GR DOSAT. C-DI SPLAY</b>	<b>17</b>
ELECTRICAL CIRCUIT (744)	18
<b>Ho.re.ca Machines   BV 342 - SOFIA   BV342E2G03AR - SOFIA 2GR PULSANTE</b>	<b>20</b>
PUMP (734)	21
FORMAZIONE LIVELLO (737)	23
FORMAZIONE PRELIEVO ACQUA (739)	25
TUBAZIONI MASSELLO (742)	27
ELECTRICAL CIRCUIT (745)	29
BOILER PIPES (747)	31
<b>Ho.re.ca Machines   BV 342 - SOFIA   BV342E2G09AR/RT/WT - SOFIA 2GR DOS. RS SILVER/RED/WHITE</b>	<b>33</b>
TELAIO E PARTI DI COMPLETAMENTO (1212)	34
ASS. GRUPPO EV INFERIORE (1213)	36
ASS. CALDAIA 2GR (1215)	38
COLLEGAMENTO IDRAULICO (1217)	40
PARTI ELETTRICHE (1218)	42
<b>Ho.re.ca Machines   BV 342 - SOFIA   BV342E2G10AR/RT/WT - SOFIA 2GR DOS. RS DI SPL. SILVER/RED/WHITE</b>	<b>44</b>
LANCIA ACQUA / VAPORE (1214)	45
VETRO LIVELLO - PRESSOSTATO (1216)	47
TELAIO E PARTI DI COMPLETAMENTO (1219)	49
PARTI ELETTRICHE (1220)	51
<b>Ho.re.ca Machines   BV 342 - SOFIA   BV342E2G11AR/RT/WT - SOFIA 2GR PULSANTE RS SILVER/RED/WHITE</b>	<b>53</b>
TELAIO E PARTI DI COMPLETAMENTO (1223)	54
COLLEGAMENTO IDRAULICO (1225)	56
PARTI ELETTRICHE (1224)	58

Tables of group :

-  **Ho.re.ca Machines**
-  **BV 342 - SOFIA**
-  **BV342E2G01AR - SOFIA 2GR DOSATA**

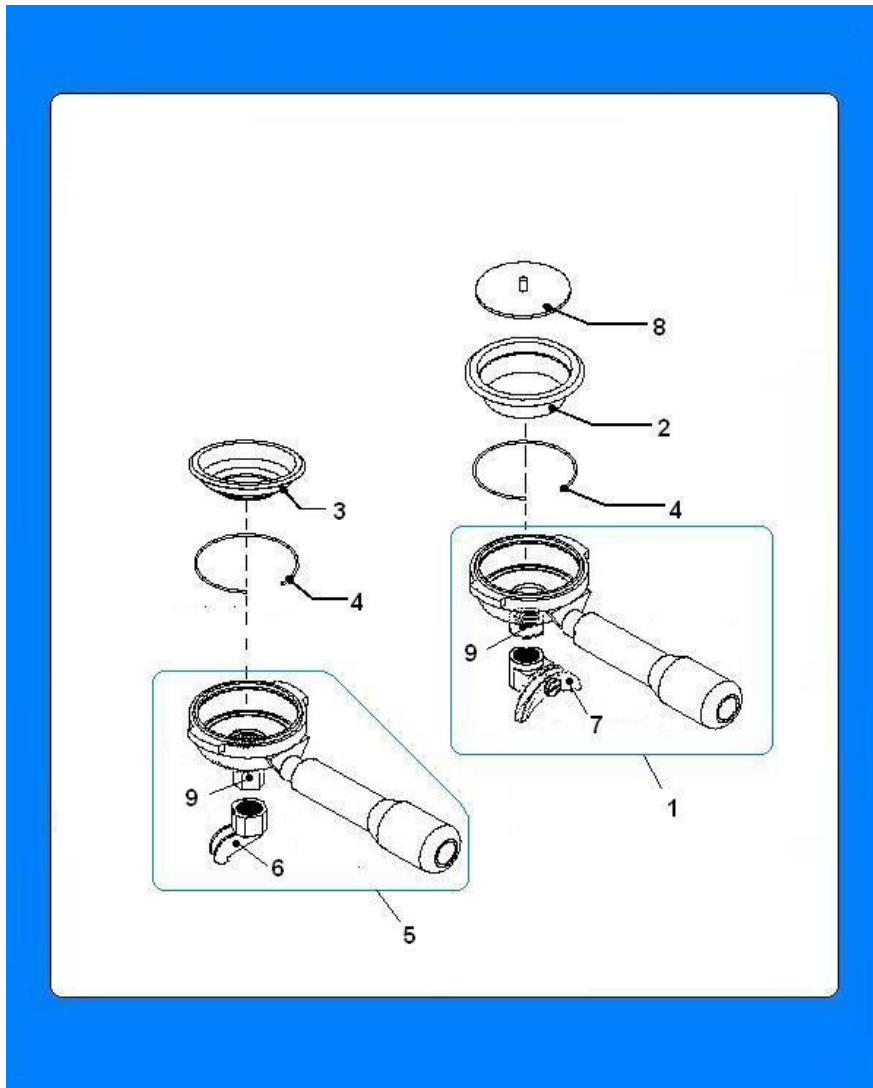
Table: FRAME (733)



## FRAME (733) - Items detail

Position	SPARE PARTS CODE VARIANT	Accessories	DESCRIPTION	For each main item multiply q.ty by
1	21058211		Cabinet chromed toothsie H.22	
2	05257615L61		Silver RT flank	
2	05257615L62		Metallized blue RT flank	
2	05257615L63		Lucid bronze RT flank	
2	05257615L64		MASTRO RT flank	
2	05257615L65		Black anthracite RT flank	
2	05257615L66		2768C Blue RT flank	
2	05257615L67		Lucid red RT flank	
2	05257615L68		Metallized red RT flank	
2	05257615L69		VARENNA RT flank	
3	05257715L61		Silver LT flank	
3	05257715L62		Metallized blue LT flank	
3	05257715L63		Lucid bronze LT flank	
3	05257715L64		MASTRO LT flank	
3	05257715L65		Black anthracite LT flank	
3	05257715L66		2768C Blue LT flank	
3	05257715L67		Lucid red LT flank	
3	05257715L68		Metallized red LT flank	
3	05257715L69		VARENNA LT flank	
4	01887711L09		SOF.2GR lucid black base frame	
5	01887811		SOFIA 2GR inox frontal panel	
6	01887521		SOFIA 2GR ALTA tray grid	
7	01888011		SOFIA 2GR cups basin	
8	01888111		SOFIA 2GR cups basin grid	
9	01888211		SOFIA 2GR drain tray	
10	01888411		SOFIA e.v. cover	
11	09104513		Reinforced drain pipe	
12	01888611		SOFIA 2GR rear panel	
13	05257315		Prefomed tab	
14	01888811		SOFIA RT lower basin protect.	
15	01888911		SOFIA LT lower basin protect.	
16	01888711L09		BlackSofia RT/LT flanks fixing	
17	19117711		Body support pin	
18	01890011		SOF.2GR cup heat. ventil.plate	
19	05256915		GRIGLIA POGGIATAZZE IN PLASTIC	

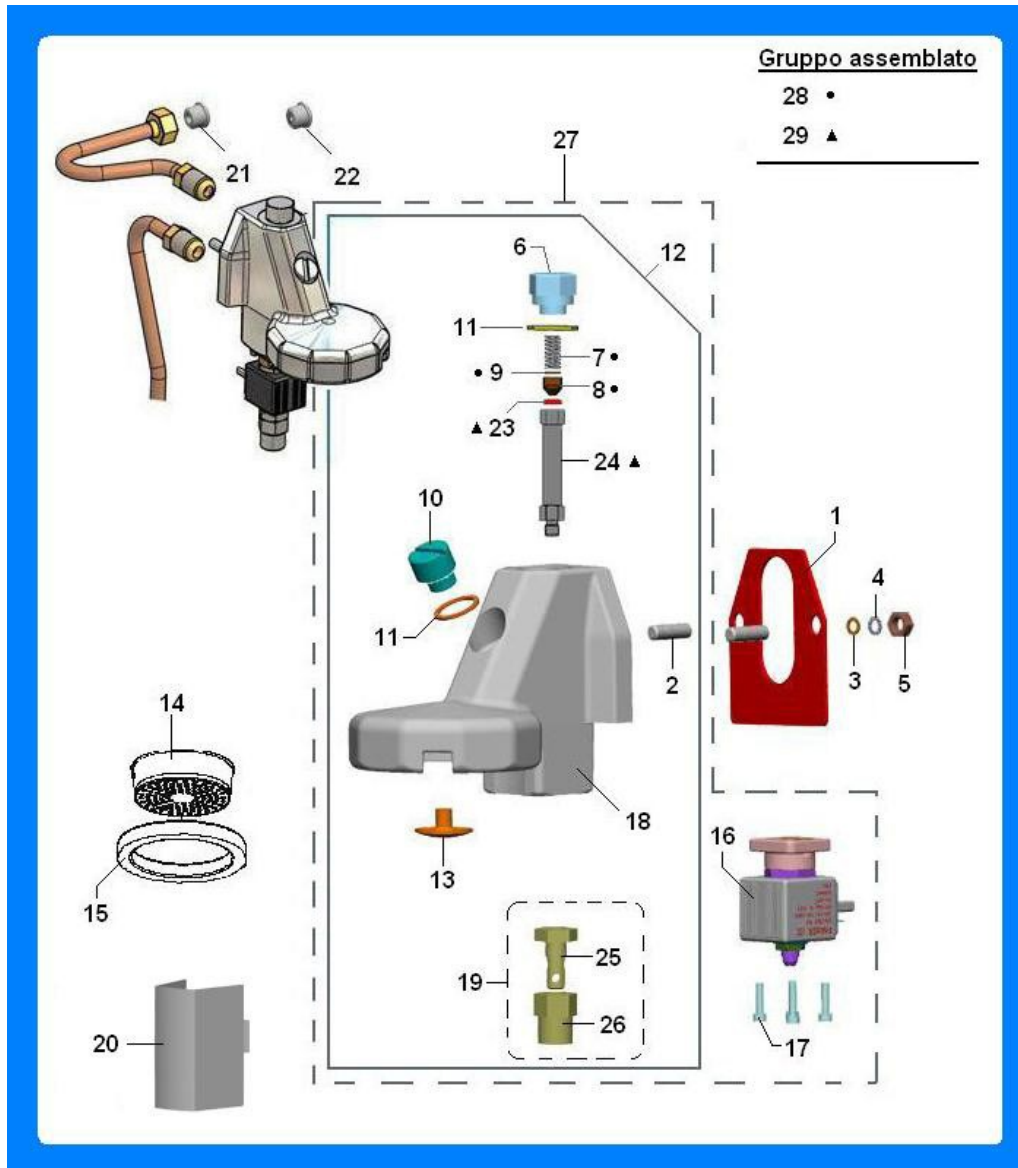
Table: PORTAFILTRI (736)



**PORTAFILTRI (736) - Items detail**

Position	SPARE PARTS CODE VARIANT	Accessories	DESCRIPTION	For each main Item multiply q.ty by
1	12047721		2ways compl.mount.filt.carrier	
1	12047821		PORTAFILTRO MAGNUM CUP 2V	
2	16022911		2 coffees filter	
3	16022811		1 coffee filter	
4	43051916		Filter fixing spring	
5	12047711		1way compl.mount.filt.carrier	
5	12047811		PORTAFILTRO MAGNUM CUP 1 VIA	
6	43051816		1way filter carrier spout	
7	43052116		2 coffees spout	
8	05257215		Blind membrane filter	
9	43055216		PROLUNGA BECCUCCIO	

Table: GRUPPO COMPLETO (738)

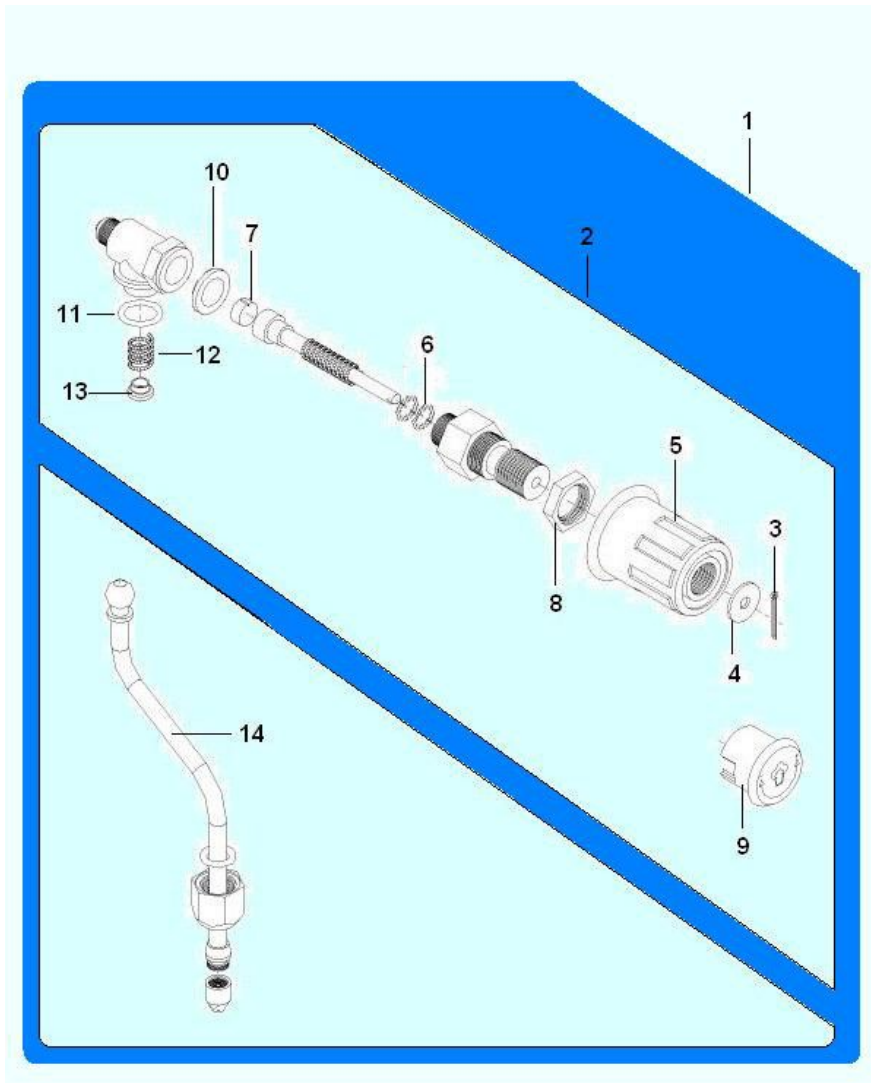




**GRUPPO COMPLETO (738) - Items detail**

Position	SPARE PARTS CODE VARIANT	Accessories	DESCRIPTION	For each main Item multiply q.ty by
1	36361316		Group insulating gasket	
2	32346616		M8X27 ZN/B stud screw	
3	35160016		Ø 8.3 plain washer	
4	35160616		Ø 8.3 self-locking washer	
5	34103116		8MA hex nut	
6	43139916		TAPPO SUPERIORE GRUPPO	
7	43125216		MOLLA TIPO SV PER GIGLEUR	
8	43051116		SOFIA 2GR gicleur	
9	43144416		FILTRO INOX D7 X GRUP.AUT.RANC	
10	43052416		Coffee group cover	
11	18002536		3/8" copper gasket	
12	25034116-01		Lower e.v. group	
13	43051216		SOFIA 2GR sprinkler	
14	16022711		Shower	
15	36361516		Saucer gasket thick.8,5mm	
16	25034416		3ways e.v.	
17	32065436		4MAX12 TCEI IX screw	
18	43143816		GRUPPO CAFFE' GEM AUT.CROMATO	
19	04063116		spoutbreaker	
20	01888411		SOFIA e.v. cover	
21	04056616		tube/4 reducer hole 3,5	
22	04056626		tube reducer hole 2mm	
23	43113416-01		OR 4x2 SILIC. ROSSO 70 SHORE	
24	43144116		COLONNINA PER INIETTORE	
25	43144716		FRANGIACQUA LUNGO GRUPPO CROM.	
26	43144816		FRANGIAC.COPRIG. ES22 H28 CR.	
27	25035610-01		ASS. GRUPPO EV INFERIORE D.O.7	
28	43144616		INIETTORE CON MOLLA	
29	43144216		COLONN.X INIETTORE PREASS.C/OR	

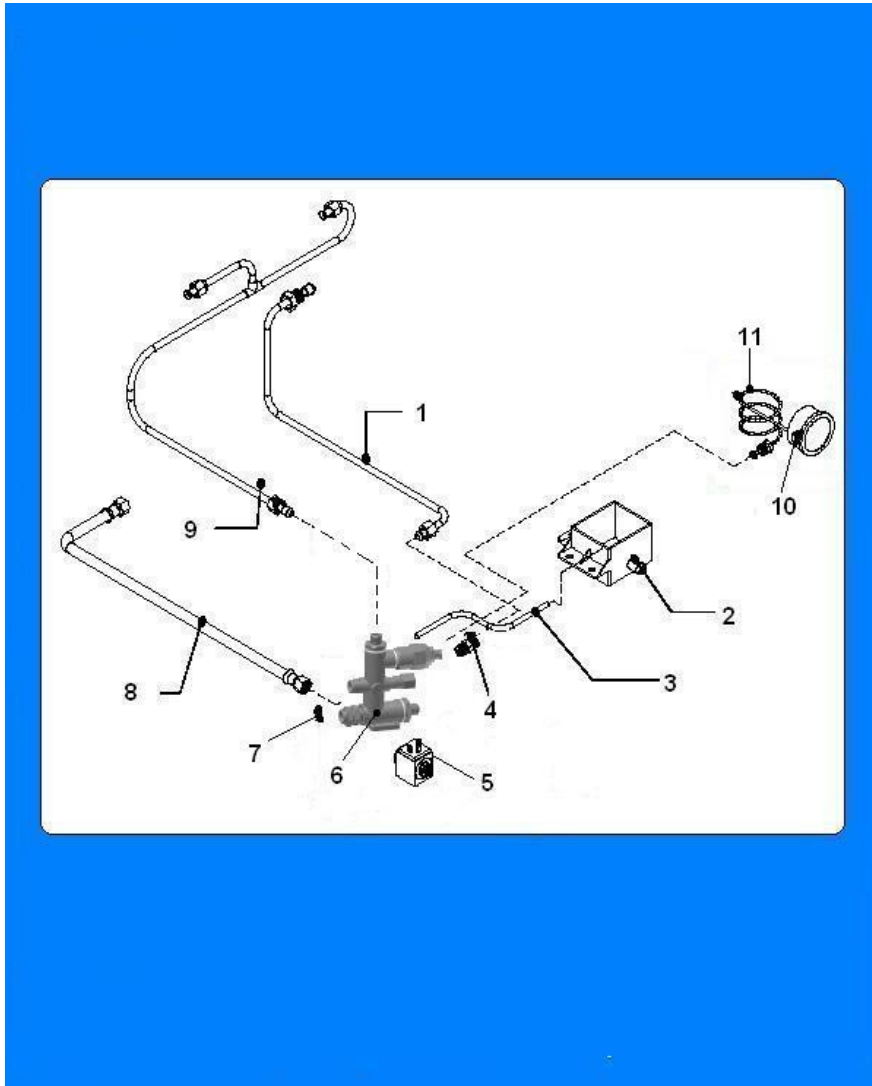
Table: STEAM REGULATOR (740)



**STEAM REGULATOR (740) - Items detail**

Position	SPARE PARTS CODE VARIANT	Accessories	DESCRIPTION	For each main Item multiply q.ty by
1	43051610-01		ASS.CORPO RUB/LANCIA VAP.L=160	
2	04055916		Water steam body tap	
3	33057626		COPIGLIA D.1,5X15 INOX	
4	18004971		forelock washer	
5	05276615		MANOPOLA RUBINETT.ACQUA/VAPORE	
6	43057216		5 gasket	
7	43057116		F062 gasket	
8	43128416		CONTRODADO 1/2 G	
9	05276525		cap for steam tap knob	
10	18002536		3/8" copper gascket	
11	18011011		21x16,8x2 PTFE teflon washer	
12	07034711		Water/steam/cap nozzle spring	
13	04058316		Water/steam nozz. spring slide	
14	04060116		steam arm IX L.160	

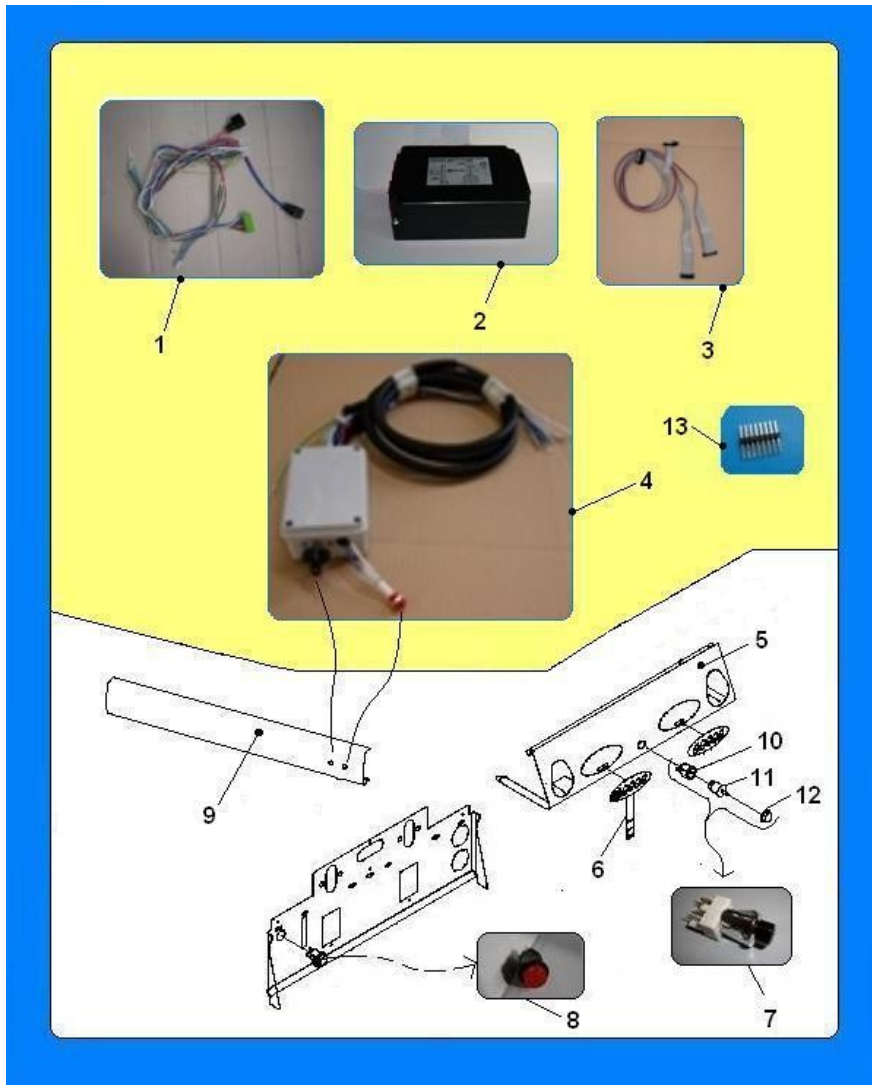
Table: TUBAZIONI MASSELLO (741)



**TUBAZIONI MASSELLO (741) - Items detail**

Position	SPARE PARTS CODE VARIANT	Accessories	DESCRIPTION	For each main Item multiply q.ty by
1	09102711		Water charge pipe	
2	05256815		Drain tray	
3	09087843-02		7x11 brown silicone pipe	
4	04055516		1/4 M/M nipple	
5	25034316		2ways e.v.	
6	04055126		Light ingot	
7	32100316		5max12 br tcei screw	
8	09103511		Ingot/pump protected pipe	
9	09103121		SOFIA 2GR valve pipe	
10	25034716-01		MANOM.ø50 0: 16 BARG1/8 MP50CAP	
11	25038126		CAPILL.IN RAME 1x2x850 RIV.PVC	

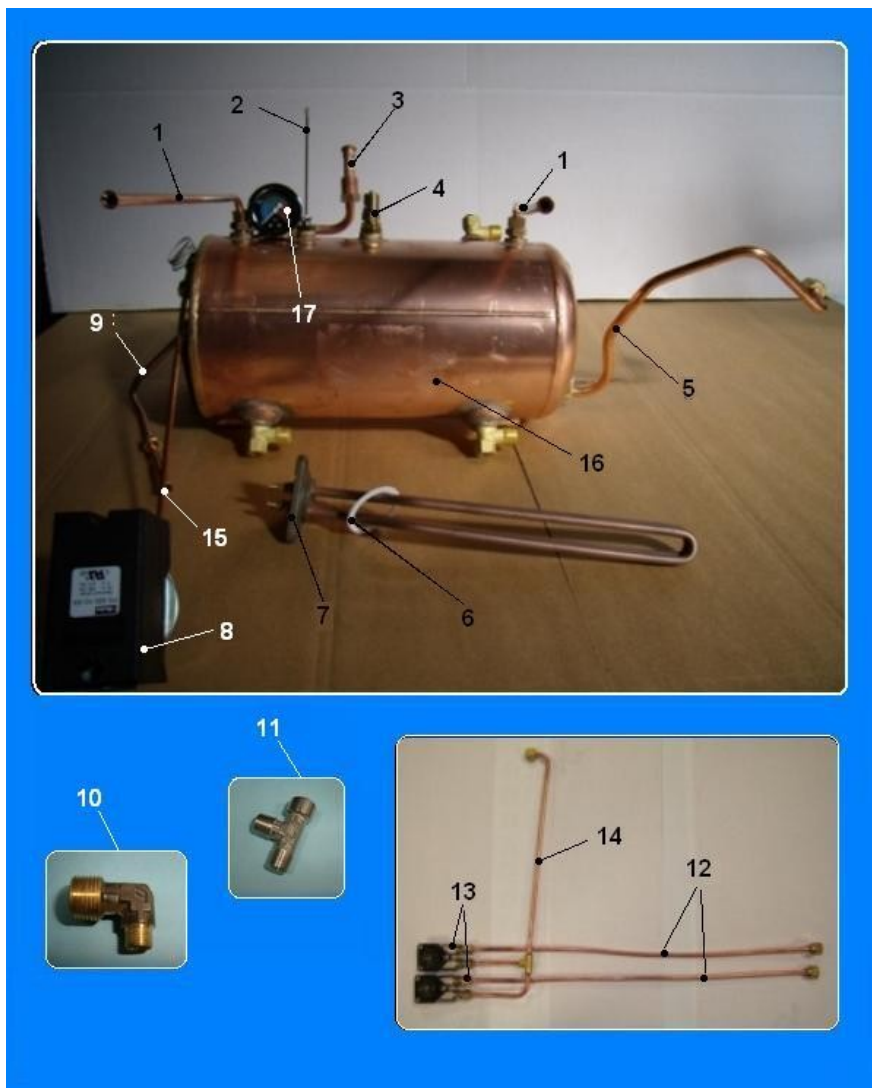
Table: ELECTRICAL CIRCUIT (735)



**ELECTRICAL CIRCUIT (735) - Items detail**

Position	SPARE PARTS CODE VARIANT	Accessories	DESCRIPTION	For each main Item multiply q.ty by
1	22187012		2GR dosed cable	
2	26053916		3GR XLC switch box	
3	22187412		Pin to pin 3M 8X2 2w. fem.L110	
4	26053226		Switch triphasic box shaft 35	
5	01887911		SOFIA 2GR DOS. IX control mask	
6	30265811-01		SOFIA PVC keypad	
7	43052810		Bipolar switch w/supp+button	
8	26053416		Red unipolar button w/light	
9	01888511		SOFIA 2GR no displ.base front	
10	05256615		DY chromium-plated oval supp.	
11	26053516		16/A 250V bipolar switch	
12	05256715		Black oval DY button	
13	23039816		P2,54 40P H17,5 comb connect.	

Table: BOILER PIPES (746)





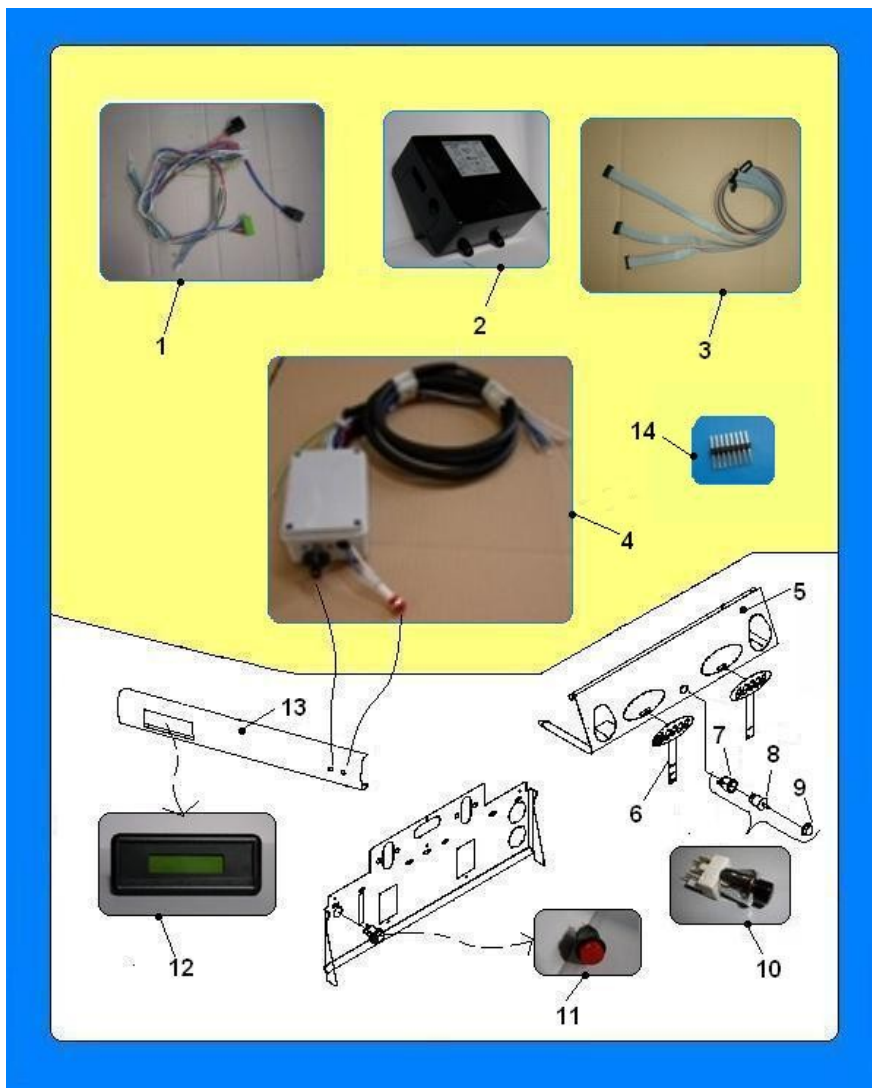
**BOILER PIPES (746) - Items detail**

Position	SPARE PARTS CODE VARIANT	Accessories	DESCRIPTION	For each main Item multiply q.ty by
1	09103011		RT/LT steam pipe	
2	26053126		Level probe	
3	09102911		TUBO ANDATA GRUPPO	
4	04056716		3/8 safety valve	
5	09102811		Group return pipe	
6	36361416		Resistance teflon gasket	
7	29007011		2GR 3000W 220V resistance	
8	25034516		Pressure switch	
9	09103311		Hot water charge pipe	
10	04056916		Water injector 1/4 L joint	
11	04057016		1/4M 1/4M 1/4F T joint	
12	09103221		SOFIA volumetric counter pipe	
13	25034916		Volumetric counter	
14	09103121		SOFIA 2GR valve pipe	
15	09103711		Pressure switch pipe	
16	09104712		2GR boiler w/welded flange	
17	25034816-01		MANOM.ø50 0:3BAR G1/8 MP50CAP	

Tables of group :

-  **Ho.re.ca Machines**
-  **BV 342 - SOFIA**
-  **BV342E2G02AR - SOFIA 2GR DOSAT. C-DISPLAY**

Table: ELECTRICAL CIRCUIT (744)



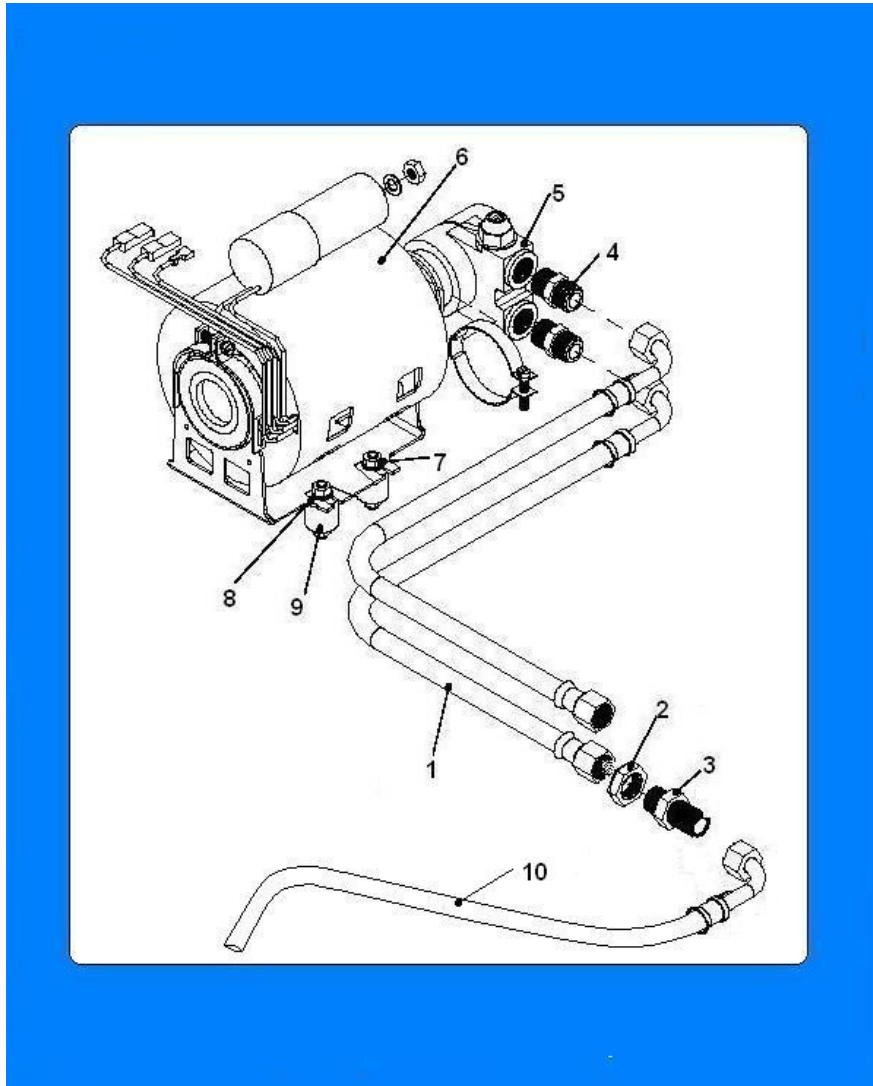
**ELECTRICAL CIRCUIT (744) - Items detail**

Position	SPARE PARTS CODE VARIANT	Accessories	DESCRIPTION	For each main Item multiply q.ty by
1	22187012		2GR dosed cable	
2	26053716		2GR MAESTRO 3D5 230Vswitch box	
3	22187412		Pin to pin 3M 8X2 2w. fem.L110	
4	26053226		Switch triphasic box shaft 35	
5	01887911		SOFIA 2GR DOS. IX control mask	
6	30265811-01		SOFIA PVC keypad	
7	05256615		DY chromium-plated oval supp.	
8	26053516		16/A 250V bipolar switch	
9	05256715		Black oval DY button	
10	43052810		Bipolar switch w/supp+button	
11	26053416		Red unipolar button w/light	
12	24021716		LCD Display interface board	
13	01890111		SOFIA 2GR display base front	
14	23039816		P2,54 40P H17,5 comb connect.	

Tables of group :

-  **Ho.re.ca Machines**
-  **BV 342 - SOFIA**
-  **BV342E2G03AR - SOFIA 2GR PULSANTE**

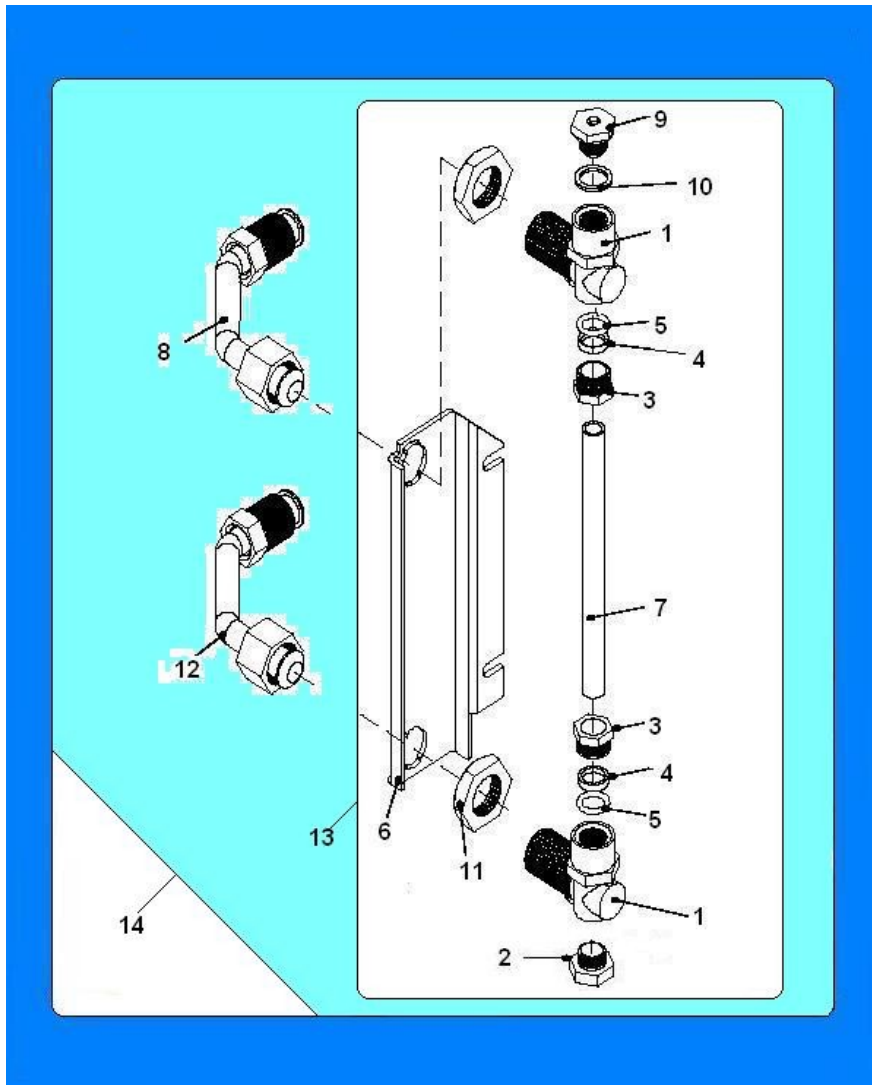
Table: PUMP (734)



**PUMP (734) - Items detail**

Position	SPARE PARTS CODE VARIANT	Accessories	DESCRIPTION	For each main Item multiply q.ty by
1	09103511		Ingot/pump protected pipe	
2	19117411		3/8 ferrule	
3	04055716		3/8 M mm12-mm20 aliment.nipple	
4	04055616		3/8 M/M nipple	
5	27011516		150Lt pump w/clamp	
6	20035216		Pump motor 4P 1V 150W 220V	
7	34103016		es 6ma nut	
8	35158016		6,5X18X1,5 ZN plain washer	
9	05257815		Pump absorber	
10	09104011-01		hose 2200	

Table: FORMAZIONE LIVELLO (737)

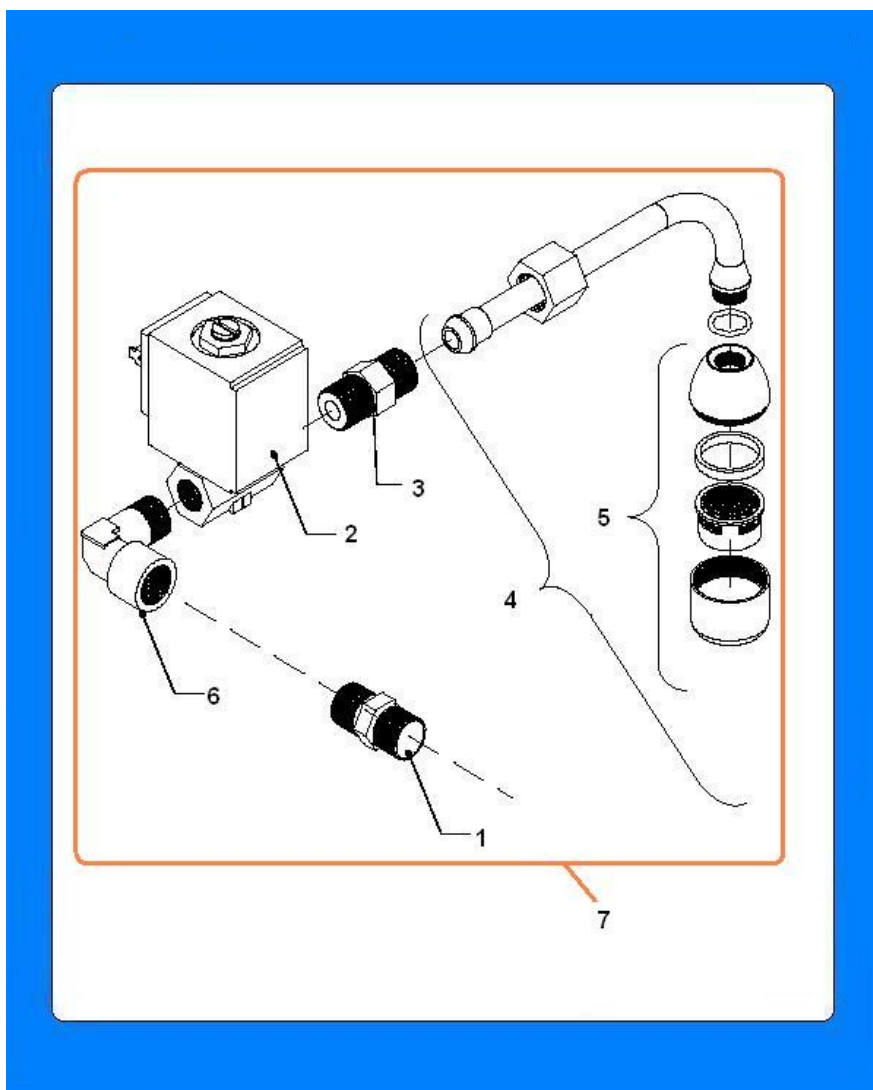




**FORMAZIONE LIVELLO (737) - Items detail**

Position	SPARE PARTS CODE VARIANT	Accessories	DESCRIPTION	For each main Item multiply q.ty by
1	04055216		Outer level body	
2	04055316		1/4 male cap	
3	19117611		Level fix ferrule	
4	19117511		Level gasket guide ferrule	
5	36361216		Level gasket	
6	01886711L70		Water charge/drain stirrup	
7	05256515		Level glass	
8	09103621		Upper level pipe	
9	04056816		Air emptiness valve	
10	18002526		1/4" copper gasket	
11	19117411		3/8 ferrule	
12	09103611		Lower level pipe	
13	05265410		level glass assembly	
14	43063910		GLASS LEVEL WITH PIPES ASSY	

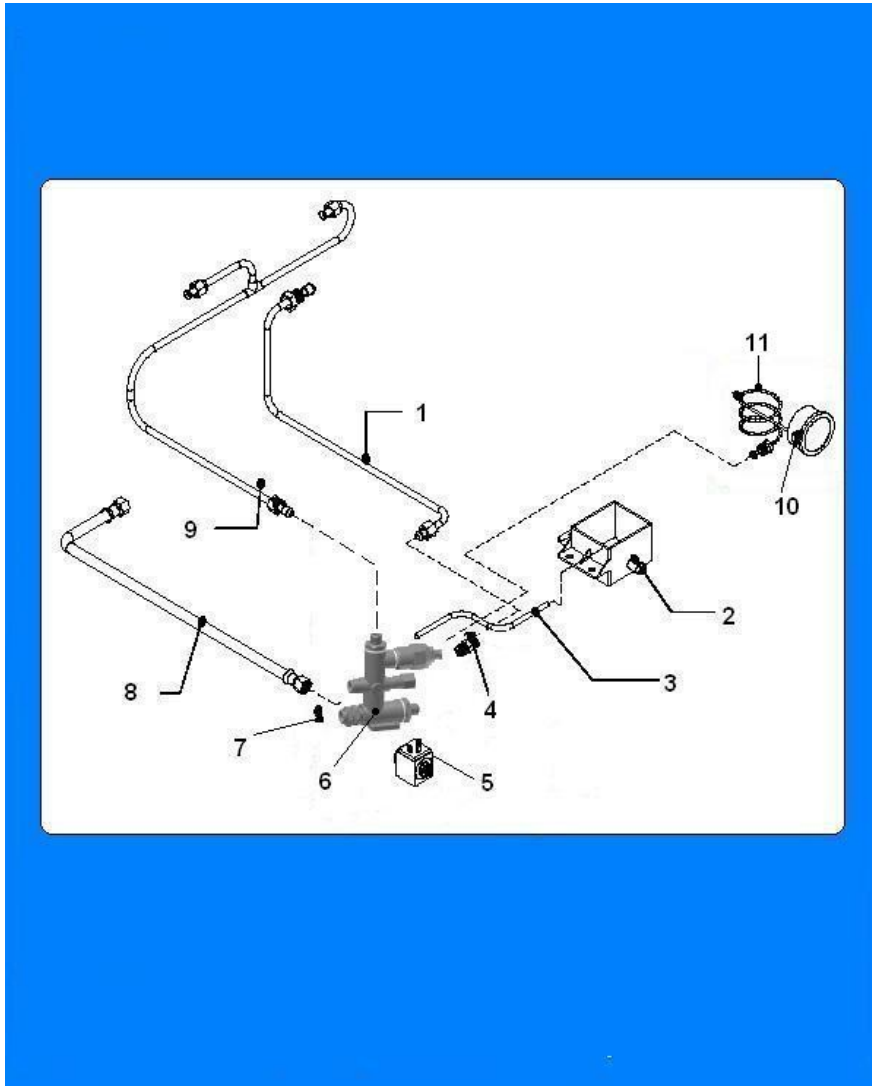
Table: FORMAZIONE PRELIEVO ACQUA (739)



**FORMAZIONE PRELIEVO ACQUA (739) - Items detail**

Position	SPARE PARTS CODE VARIANT	Accessories	DESCRIPTION	For each main Item multiply q.ty by
1	04057116		Fan 1/4 1/4 conic nipple	
2	25034216		1/4 220V 2ways e.v.	
3	04055516		1/4 M/M nipple	
4	04054916		Water charge nozzle	
5	43052616		Breakwater with joint	
6	04056316		1/4 M/F L joint	
7	04061610		ASS.PREL.ACQUA C/LANCIA	

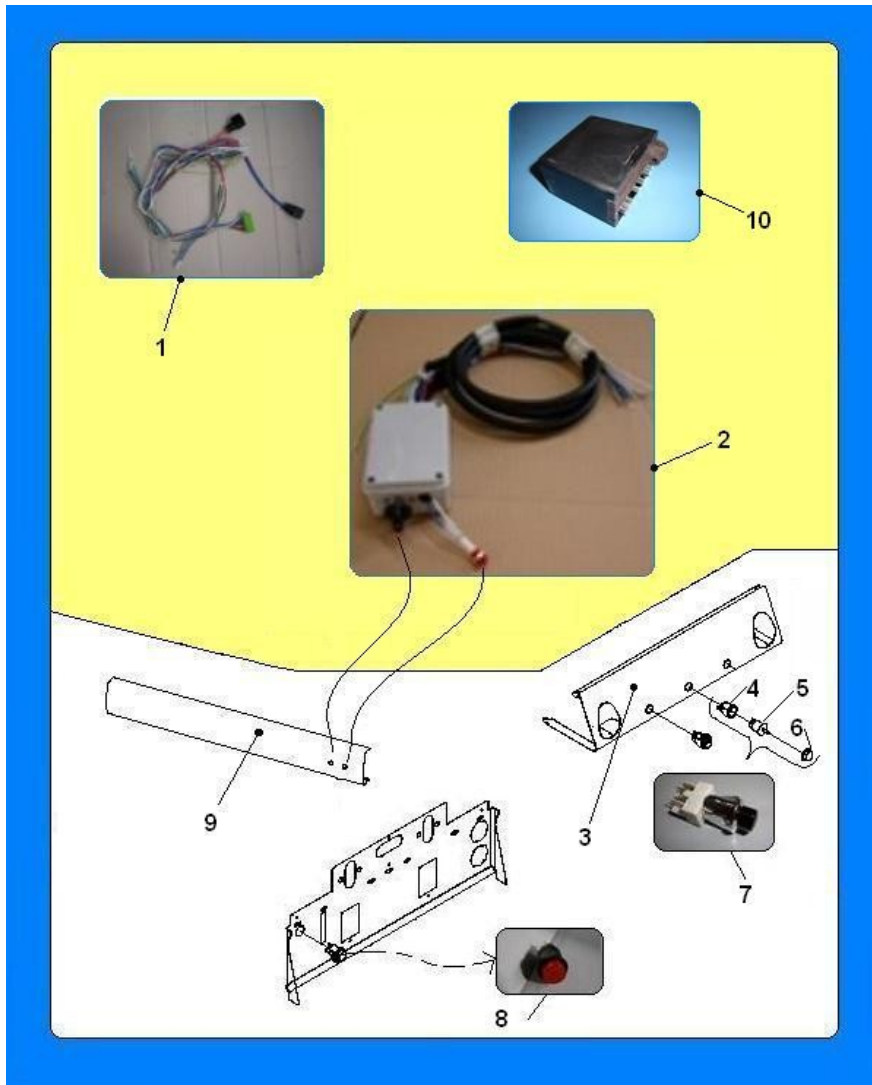
Table: TUBAZIONI MASSELLO (742)



**TUBAZIONI MASSELLO (742) - Items detail**

Position	SPARE PARTS CODE VARIANT	Accessories	DESCRIPTION	For each main Item multiply q.ty by
1	09102711		Water charge pipe	
2	05256815		Drain tray	
3	09087843-02		7x11 brown silicone pipe	
4	04055516		1/4 M/M nipple	
5	25034316		2ways e.v.	
6	04055126		Light ingot	
7	32100316		5max12 br tcei screw	
8	09103511		Ingot/pump protected pipe	
9	09103111		2GR exchanger pipe	
10	25034716-01		MANOM.ø50 0: 16 BARG1/8 MP50CAP	
11	25038126		CAPILL.IN RAME 1x2x850 RIV.PVC	

Table: ELECTRICAL CIRCUIT (745)



**ELECTRICAL CIRCUIT (745) - Items detail**

Position	SPARE PARTS CODE VARIANT	Accessories	DESCRIPTION	For each main Item multiply q.ty by
1	22188612		SOFIA 2GR button cable	
2	26053226		Switch triphasic box shaft 35	
3	01892311		SOFIA 2GR BUT.IX control mask	
4	05256615		DY chromium-plated oval supp.	
5	26053516		16/A 250V bipolar switch	
6	05256715		Black oval DY button	
7	43052810		Bipolar switch w/supp+button	
8	26053416		Red unipolar button w/light	
9	01888511		SOFIA 2GR no displ.base front	
10	26053616		220V level damper	

Table: BOILER PIPES (747)





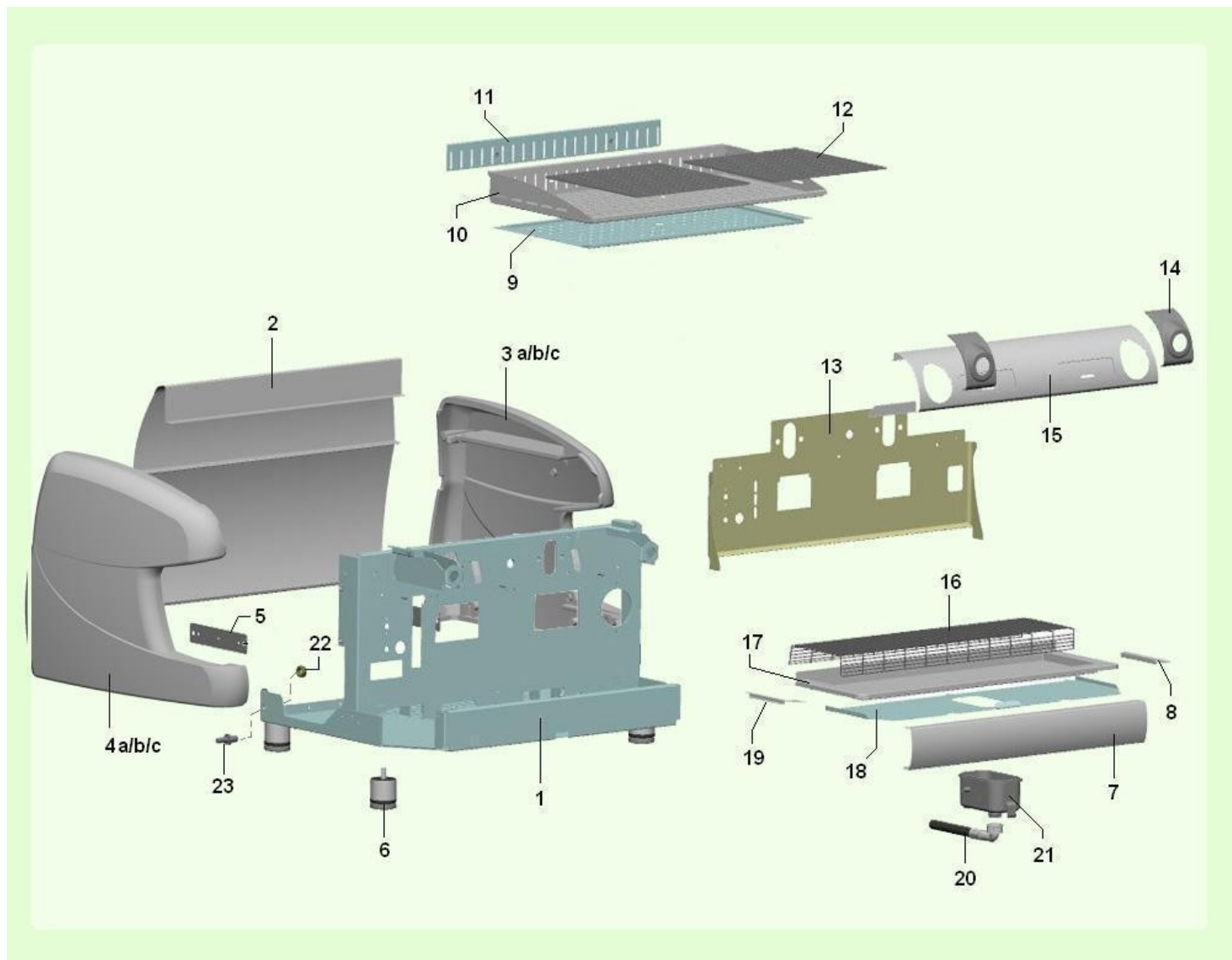
**BOILER PIPES (747) - Items detail**

Position	SPARE PARTS CODE VARIANT	Accessories	DESCRIPTION	For each main Item multiply q.ty by
1	09103011		RT/LT steam pipe	
2	26053126		Level probe	
3	09102911		TUBO ANDATA GRUPPO	
4	04056716		3/8 safety valve	
5	09102811		Group return pipe	
6	36361416		Resistance teflon gasket	
7	29007011		2GR 3000W 220V resistance	
8	25034516		Pressure switch	
9	09103311		Hot water charge pipe	
10	09103711		Pressure switch pipe	
11	25034816-01		MANOM.ø50 0:3BAR G1/8 MP50CAP	
12	04056916		Water injector 1/4 L joint	
13	04057016		1/4M 1/4M 1/4F T joint	
14	09104712		2GR boiler w/welded flange	

Tables of group :

-  **Ho.re.ca Machines**
-  **BV 342 - SOFIA**
  -  **BV342E2G09AR/RT/WT - SOFIA 2GR DOS. RS SILVER/RED/WHITE**

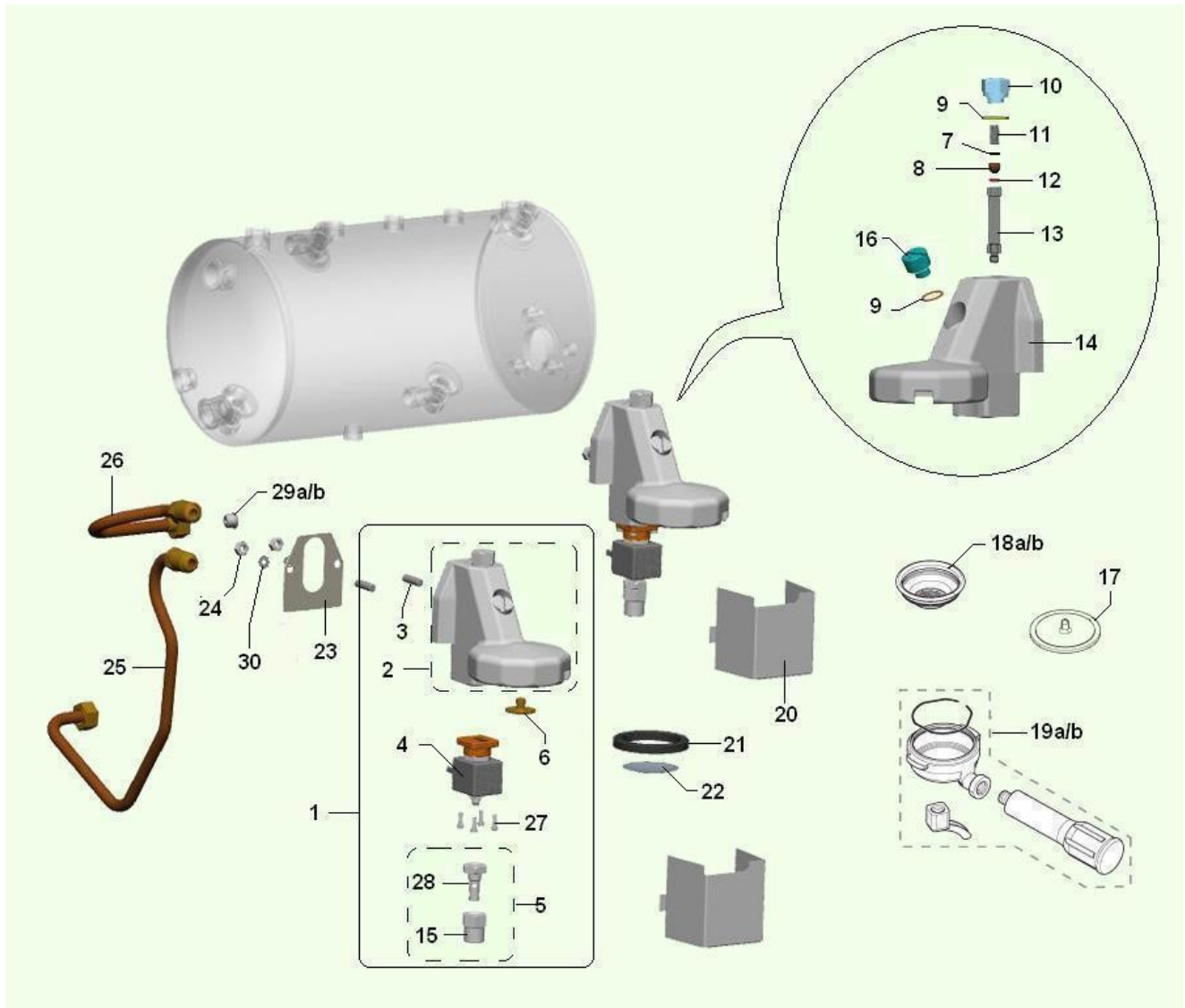
Table: **TELAIO E PARTI DI COMPLETAMENTO (1212)**



**TELAIO E PARTI DI COMPLETAMENTO (1212) - Items detail**

Position	SPARE PARTS CODE VARIANT	Accessories	DESCRIPTION	For each main Item multiply q.ty by
1	01902622-01L09		TELAIO SOFIA 2GR	
2	01888631		PANN.POST.IX LUCIDO SOFIA 2GR	
3	05257615L61		Silver RT flank	
3	05257615L80		FIANCO DX BIANCO RAL 9016	
3	05257615L81		FIANCO DX ROSSO RAL 3020	
4	05257715L61		Silver LT flank	
4	05257715L80		FIANCO SX BIANCO RAL 9016	
4	05257715L81		FIANCO SX ROSSO RAL 3020	
5	01888711L09		BlackSofia RT/LT flanks fixing	
6	21058211		Cabinet chromed toothsie H.22	
7	01903031		FRONT.BASAM.LUC.CIECO SOFIA2GR	
8	01888811-01		PROTEZ.INF. BACINELLA SOFIA DX	
9	01888111-02		SOTTOVASC.POGGIATAZZ.SOFIA2GR	
10	01888011-02		BACINELLA POGGIATAZZE SOFIA2GR	
11	01890011		SOF.2GR cup heat. ventil.plate	
12	05256915		GRIGLIA POGGIATAZZE IN PLASTIC	
13	01902721-01		PANN. FRONT. SOFIA 2GR	
14	05257315		Preformed tab	
15	01887931		PORTACOM. LUCIDO SOGIA 2GR DOS	
16	01887521-01		GRIGL.ALTA IX BACIN. SOFIA 2GR	
17	01888211		SOFIA 2GR drain tray	
18	01902511-01		RIPARO ACCESSO SOTTOV.SOFIA2GR	
19	01888911-01		PROTEZ.INF. BACINELLA SOFIA SX	
20	09105616-01		TUBO SCARICO RINF. GOMITO G3/4	
21	05262015-01M09		drain tank w/ hooks	
22	34103116		8MA hex nut	
23	19117016-01		BVM952 roof pin	

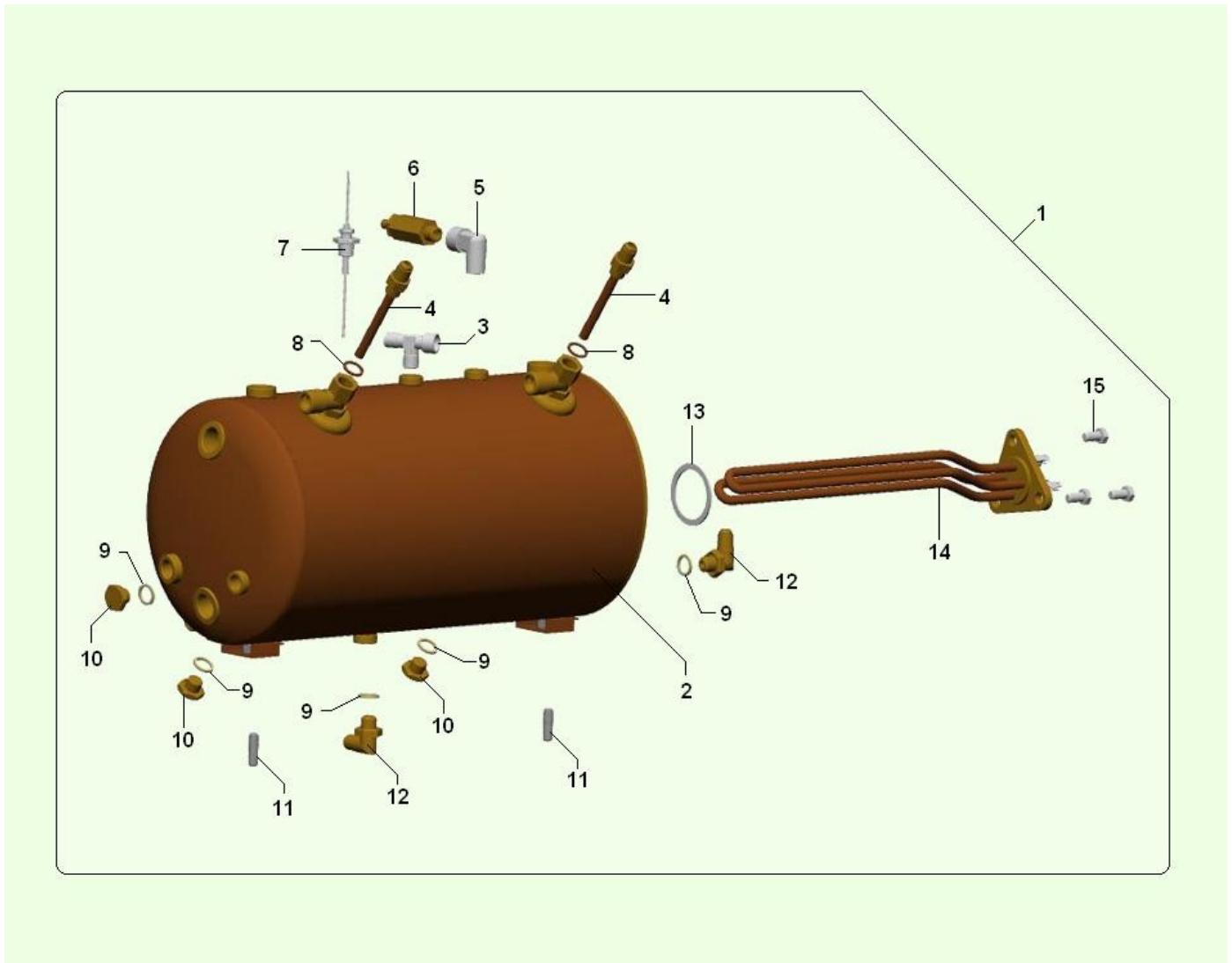
Table: ASS. GRUPPO EV INFERIORE (1213)



**ASS. GRUPPO EV INFERIORE (1213) - Items detail**

Position	SPARE PARTS CODE VARIANT	Accessories	DESCRIPTION	For each main Item multiply q.ty by
1	25035610-01		ASS. GRUPPO EV INFERIORE D.0.7	
2	25034116-01		Lower e.v. group	
3	32346616		M8X27 ZN/B stud screw	
4	25034416		3ways e.v.	
5	04063116		spoutbreaker	
6	43051216		SOFIA 2GR sprinkler	
7	43144416		FILTRO INOX D7 X GRUP.AUT.RANC	
8	43051116		SOFIA 2GR gicleur	
9	18002536		3/8" copper gasket	
10	43139916		TAPPO SUPERIORE GRUPPO	
11	43125216		MOLLA TIPO SV PER GIGLEUR	
12	43113416-01		OR 4x2 SILIC. ROSSO 70 SHORE	
13	43144116		COLONNINA PER INIETTORE	
14	43143816		GRUPPO CAFFE' GEM AUT.CROMATO	
15	43144816		FRANGIAC.COPRIG. ES22 H28 CR.	
16	43052416		Coffee group cover	
17	05257215		Blind membrane filter	
18	16022811		1 coffee filter	
18	16022911		2 coffees filter	
19	12049210		PORTAFILTRO BVG 1 VIA	
19	12049310		PORTAFILTRO BVG 2 VIE	
20	01902811		COPRI ELETTRIV. GRUPPO SOFIA	
21	36361516		Saucer gasket thick.8,5mm	
22	16022711		Shower	
23	36361316		Group insulating gasket	
24	34103116		8MA hex nut	
25	09102811		Group return pipe	
26	09102911		TUBO ANDATA GRUPPO	
27	32065436		4MAX12 TCEI IX screw	
28	43144716		FRANGIACQUA LUNGO GRUPPO CROM.	
29	04056616		tube/4 reducer hole 3,5	
29	04056626		tube reducer hole 2mm	
30	35153716		ROND- ELAST. D. 8,4 ZN	

Table: ASS. CALDAIA 2GR (1215)

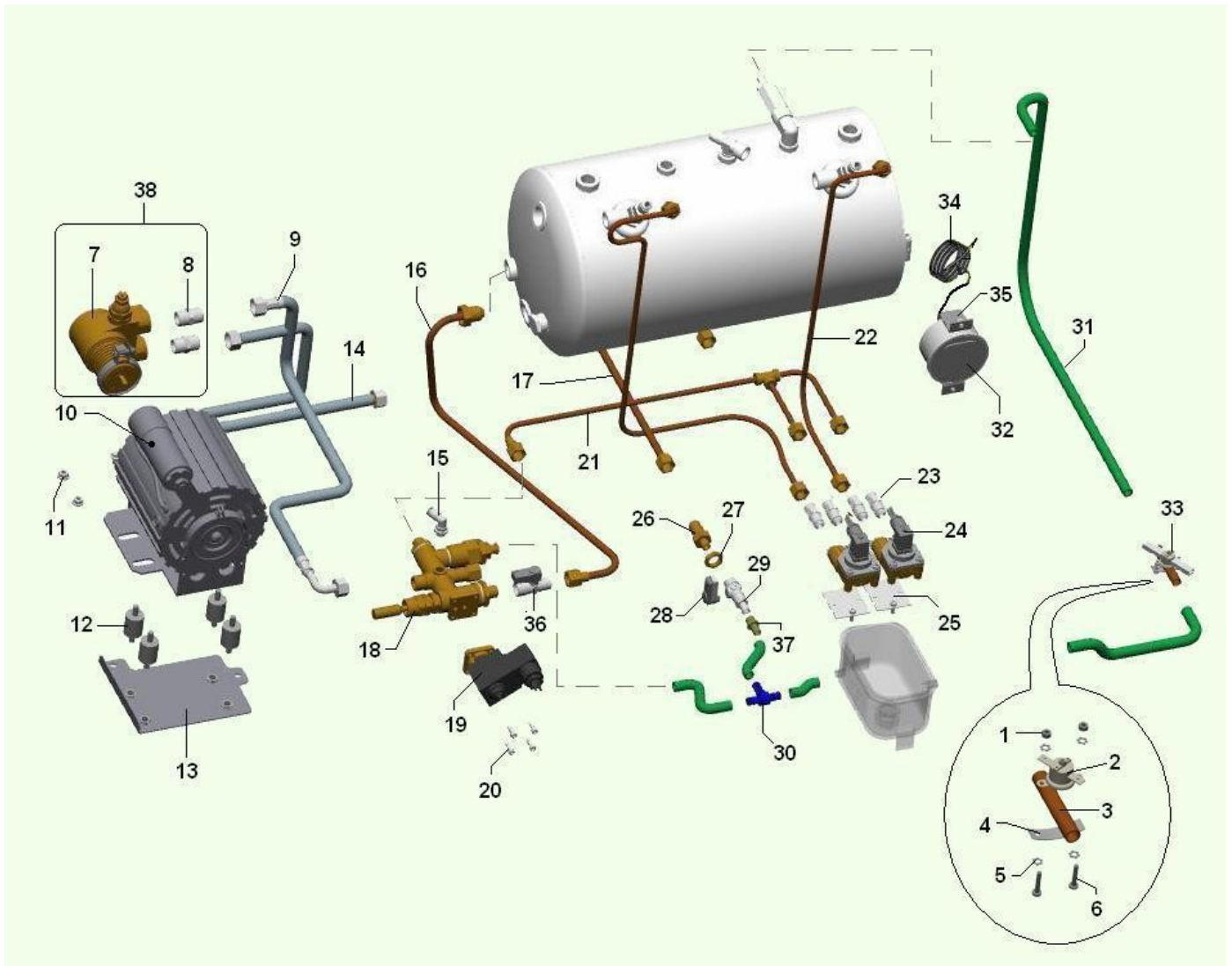


**ASS. CALDAIA 2GR (1215) - Items detail**

Position	SPARE PARTS CODE VARIANT	Accessories	DESCRIPTION	For each main Item multiply q.ty by
1	85005840		ASS. CALDAIA SOFIA 2GR	
2	09104732		CALDAIA 2GR LUCIA	
3	04057016		1/4M 1/4M 1/4F T Joint	
4	09105011		TUBO INIETTORE 70mm	
5	04056316		1/4 M/F L Joint	
6	04056736		VALVOLA SIC 1/4 1.6BAR (554/C)	
7	26053126		Level probe	
8	18002526		1/4" copper gasket	
9	36361116		18X13,5X2PTFEtefl.washer1/4cap	
10	04056016		1/4M ISP TAP COD.000141.01.01	
11	32346616		M8X27 ZN/B stud screw	
12	04056916		Water Injector 1/4 L Joint	
13	36361416		Resistance teflon gasket	
14	29007021		RESIST.2GR 3000W 230V C/FASTON	
15	32160416		VITE TE 8 Max16 ACC/ZINC	



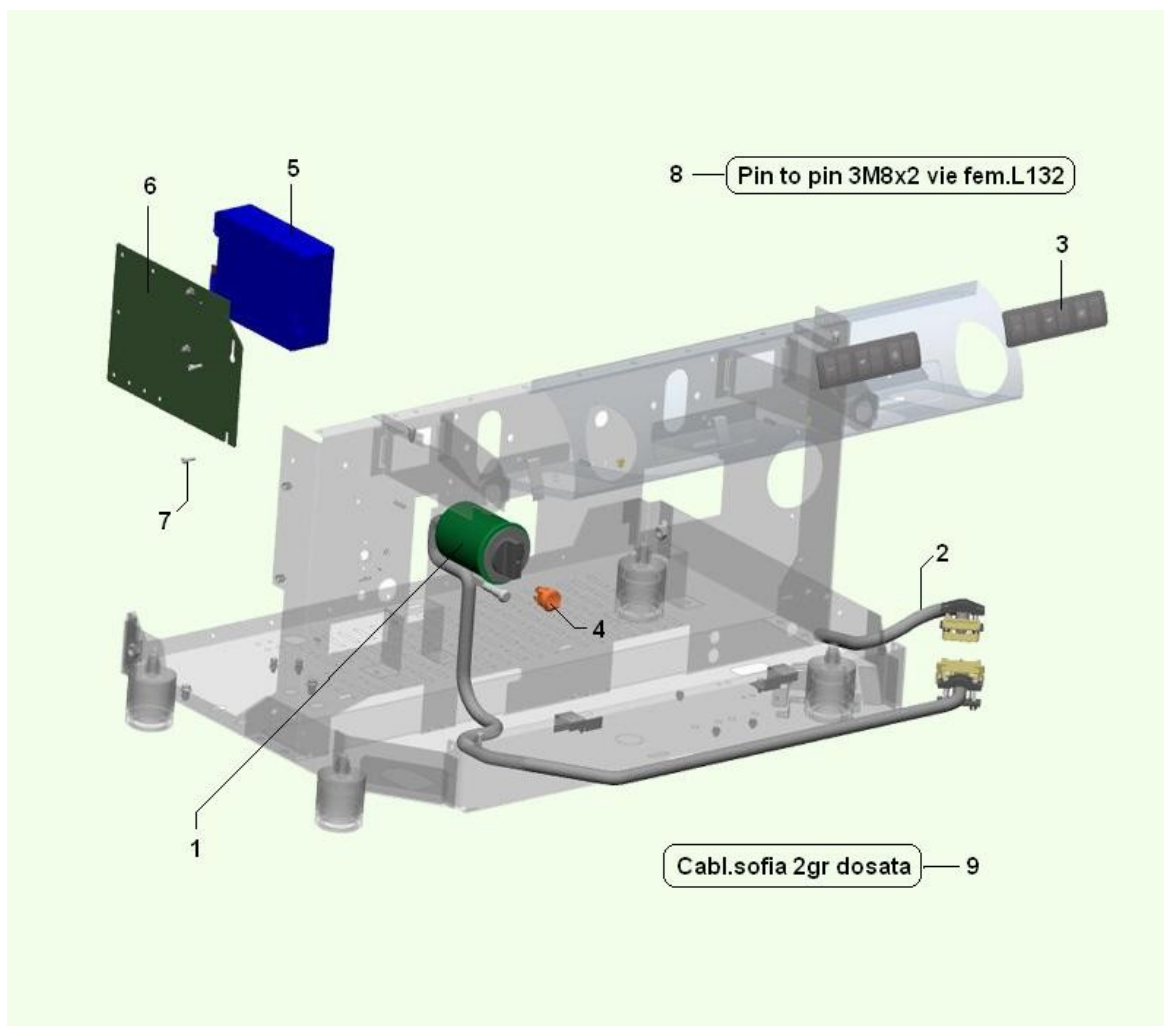
Table: COLLEGAMENTO IDRAULICO (1217)



**COLLEGAMENTO IDRAULICO (1217) - Items detail**

Position	SPARE PARTS CODE VARIANT	Accessories	DESCRIPTION	For each main Item multiply q.ty by
1	34102716		M3 hexagonal nut	
2	25014936-01		clixon75°C	
3	09078221-01		TUBETTO X CLIXON	
4	01213411		clixon plate	
5	35160216		self-locking diam.3.2	
6	32025716		3MA x 16 TC screw	
7	27011516		150Lt pump w/clamp	
8	04055616		3/8 M/M nipple	
9	09103521		TUBO SCHERM.MASS/POMPA L=500	
10	20035216		Pump motor 4P 1V 150W 220V	
11	34115516		M6 nut with washer	
12	05257815		Pump absorber	
13	01989521L09		PIASTRA MOTORE 165W SOFIA	
14	09104011-01		hose 2200	
15	04065336		RACC.GOM.G1/8 C/OR GIR.TUBO 4	
16	09102711		Water charge pipe	
17	09103311		Hot water charge pipe	
18	04055136		MASSELLO LIGHT A LEVA	
19	25034316		2ways e.v.	
20	32065436		4MAX12 TCEI IX screw	
21	09103121		SOFIA 2GR valve pipe	
22	09103221		SOFIA volumetric counter pipe	
23	04056216		NIPLEX 1/4 M 1/8 M	
24	24021916		CONTAT.VOL.933-0612/FV08 D1,2	
25	01902911		SUPP. CONTATORE VOLUMETRICO	
26	04066111		RACCORDO G1/4 CARTELLA G1/8	
27	04014111		hexagonal nut 1/4GAS	
28	05279911		LEVA NYLON x RUBIN. A SFERA	
29	04054716		MICROVALV F/F 1/8 ART 570 OLAB	
30	05277316		RACC. A T 5/16 NYLON 66	
31	09087843-02		7x11 brown silicone pipe	
32	25035316-01		MANOM.ø63 D.SCALA 2.5:16B G1/8	
33	25019620		clixon tube assy - 75°	
34	25038126		CAPILL.IN RAME 1x2x850 RIV.PVC	
35	01902411		STAFFA FISS.MANOM.DOPPIA SCALA	
36	04067416		RUBIN.A SFERA MF 1/4 FIL L11mm	
37	04032446		1/8" rubber holder connection	
38	27013110		ASS.EL-POMPA C/FASCETTA 150 LT	

Table: PARTI ELETTRICHE (1218)



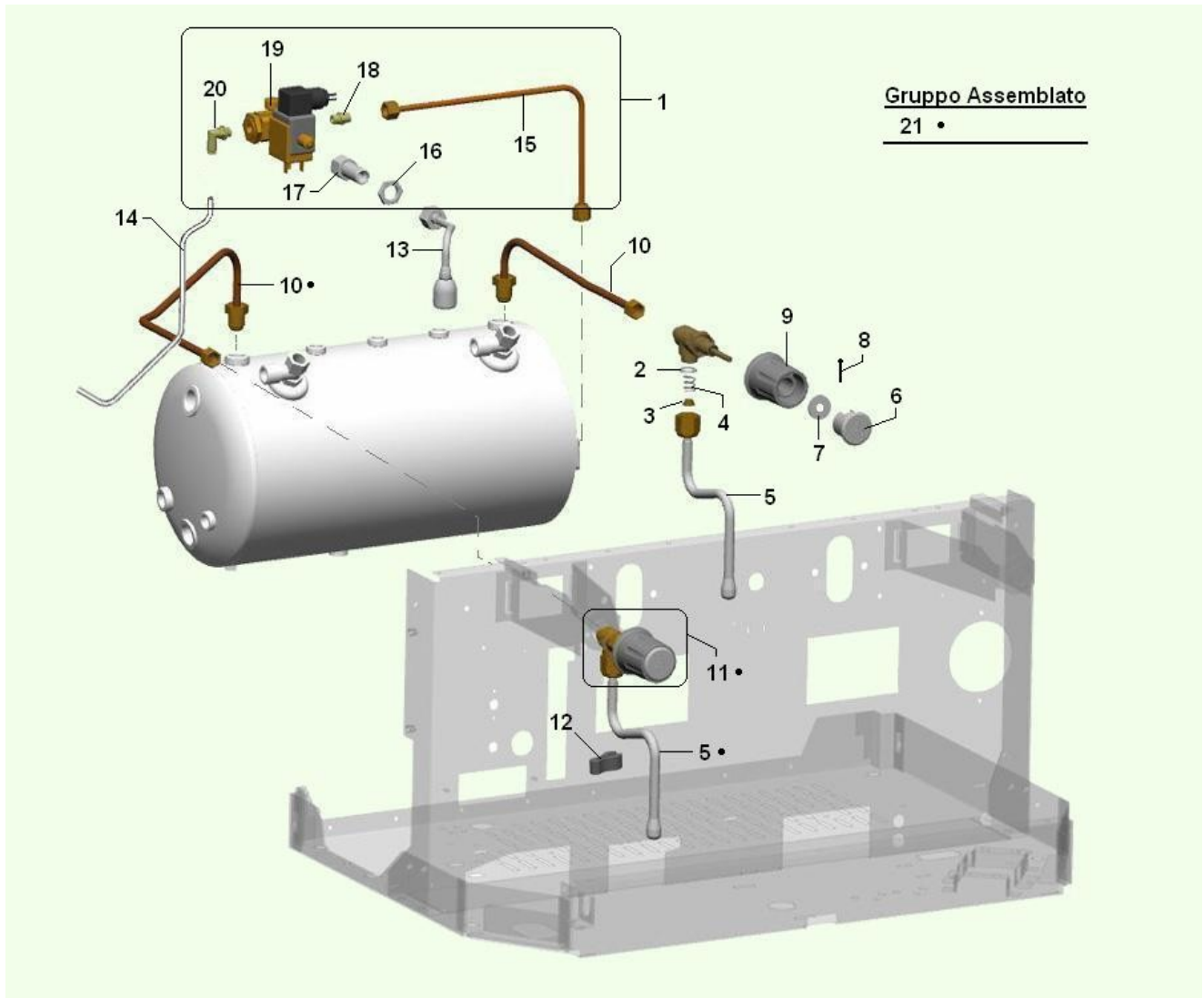
**PARTI ELETTRICHE (1218) - Items detail**

Position	SPARE PARTS CODE VARIANT	Accessories	DESCRIPTION	For each main Item multiply q.ty by
1	26055636		INTER.TRIF. C/PROT.C/CONN. 2GR	
2	22199722		CABL.380V LUCIA L=2500 PRESSAC	
3	30267611-01		PULSANTIERA SARA C/CONN. M	
4	26057916		INTERRUTTORE LUMINOSO	
5	26056816		SCHEDA PER MACCHINE BAR	
6	01907821L09		PIASTRA SUPP. CENTRALINA	
7	32065436		4MAX12 TCEI IX screw	
8	22187412-01		PIN TO PIN 3M8X2 VIE FEM.L1320	
9	22202322		CABL. SOFIA 2GR DOSATA	

Tables of group :

-  **Ho.re.ca Machines**
-  **BV 342 - SOFIA**
-  **BV342E2G10AR/RT/WT - SOFIA 2GR DOS. RS DI SPL. SILVER/RED/WHITE**

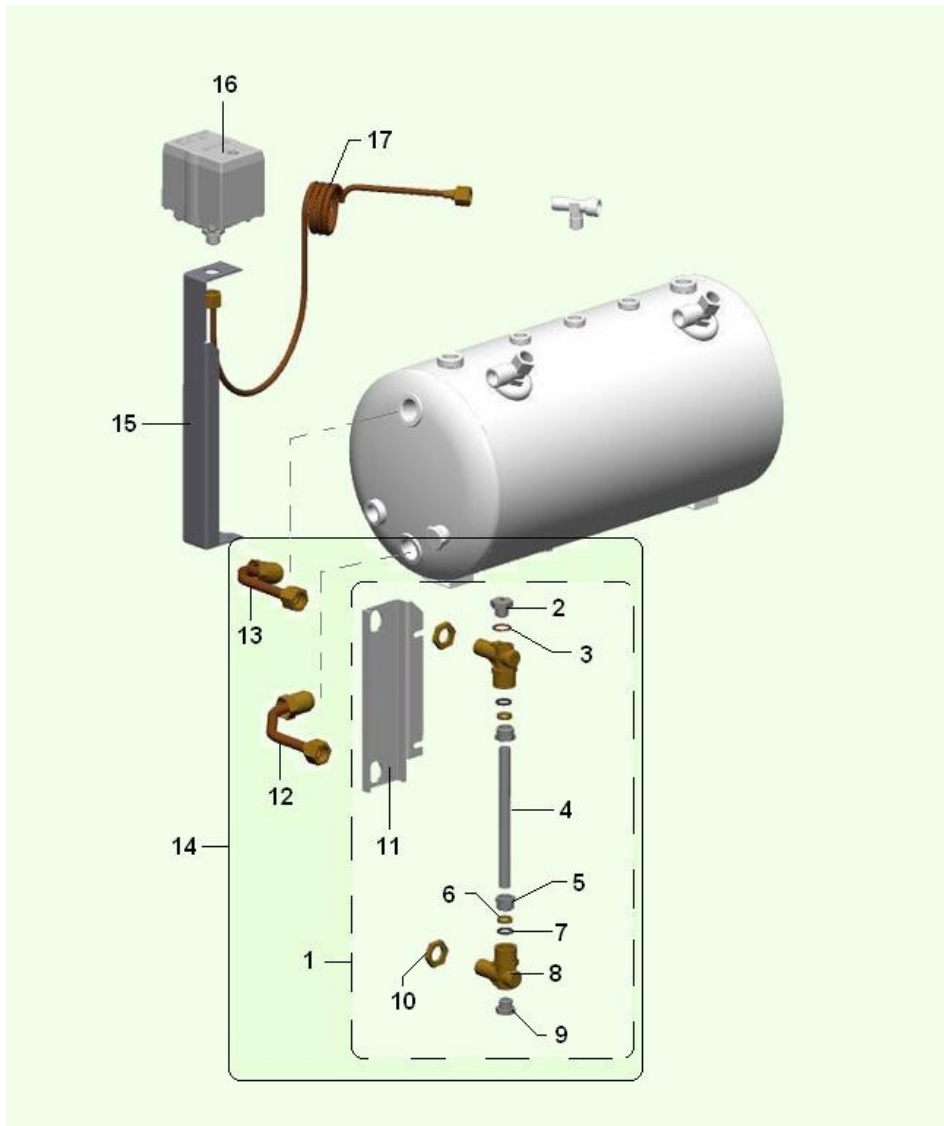
Table: LANCIA ACQUA / VAPORE (1214)



**LANCIA ACQUA / VAPORE (1214) - Items detail**

Position	SPARE PARTS CODE VARIANT	Accessories	DESCRIPTION	For each main Item multiply q.ty by
1	25038910		ASS.MISCEL.SOFIA GESTITO DA EV	
2	18011011		21x16,8x2 PTFE teflon washer	
3	04058316		Water/steam nozz. spring slide	
4	07034711		Water/steam/cap nozzle spring	
5	04060116		steam arm IX L.160	
6	05276525		cap for steam tap knob	
7	35158016		6,5X18X1,5 ZN plain washer	
8	33057626		COPIGLIA D.1,5X15 INOX	
9	05276615		MANOPOLA RUBINETT.ACQUA/VAPORE	
10	09103011		RT/LT steam pipe	
11	04055916		Water steam body tap	
12	05257115		PINZA IN PLSxLANCIA VAPOR/ACQU	
13	04055816		LANCIA PRELIEVO ACQUA EL/92	
14	09085413		4x2 teflon pipe	
16	19117421		GHIERA 3/8 CROMATA	
17	04066011		MANICOTTO LANCIA MISCELATORE	
18	04058616		NIPPLO CONICO 1/8 MM	
19	25038411		MISCELATORE GESTITO DA EV	
20	04065336		RACC.GOM.G1/8 C/OR GIR.TUBO 4	
21	04061320-01		ASS.RUBIN.VAPOR.LANC.SOFIA	

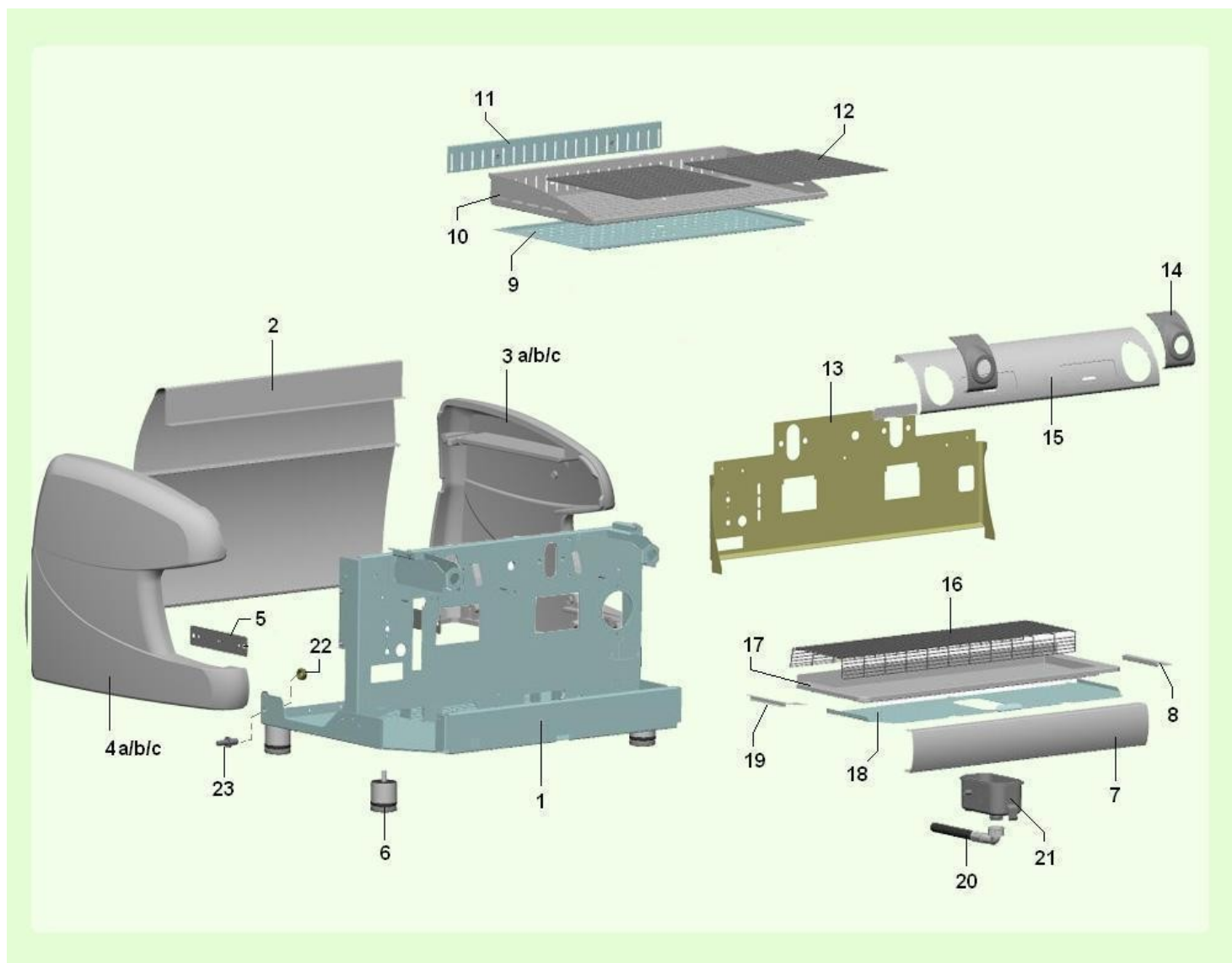
Table: VETRO LIVELLO - PRESSOSTATO (1216)





**VETRO LIVELLO - PRESSOSTATO (1216) - Items detail**

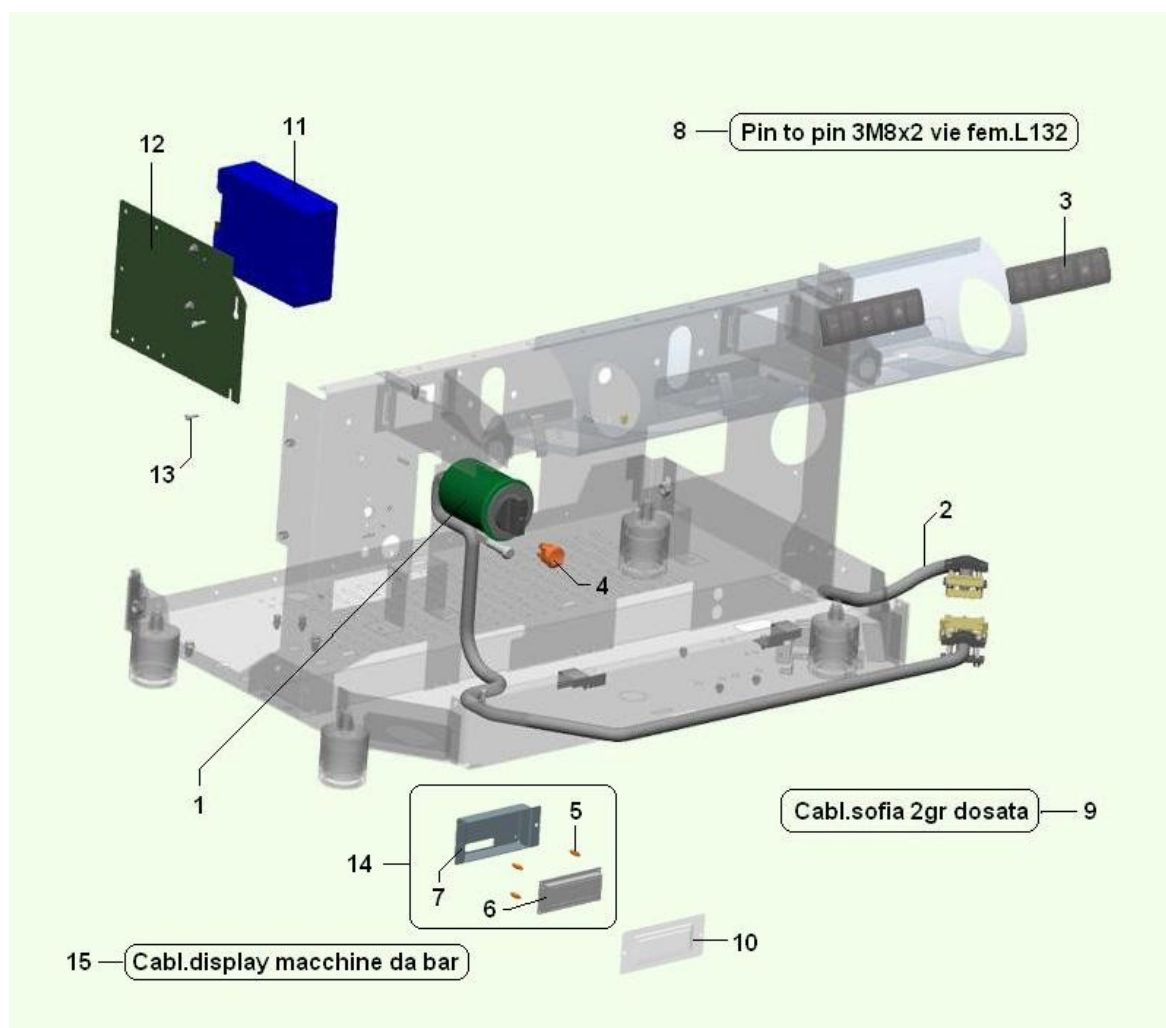
Position	SPARE PARTS CODE VARIANT	Accessories	DESCRIPTION	For each main Item multiply q.ty by
1	05265410		level glass assembly	
2	04056816		Air emptiness valve	
3	18002526		1/4" copper gasket	
4	05256515		Level glass	
5	19117611		Level fix ferrule	
6	19117511		Level gasket guide ferrule	
7	36361216		Level gasket	
8	04055216		Outer level body	
9	04055316		1/4 male cap	
10	19117411		3/8 ferrule	
11	01886711L70		Water charge/drain stirrup	
12	09103611		Lower level pipe	
13	09103621		Upper level pipe	
14	43063910		GLASS LEVEL WITH PIPES ASSY	
15	01902311L09		STAFFA FISS. PRESSOSTATO	
16	25034526		PRESSOSTATO SIRAI P303T01	
17	09103711		Pressure switch pipe	

Table: **TELAIO E PARTI DI COMPLETAMENTO (1219)**

**TELAIO E PARTI DI COMPLETAMENTO (1219) - Items detail**

Position	SPARE PARTS CODE VARIANT	Accessories	DESCRIPTION	For each main Item multiply q.ty by
1	01902622-01L09		TELAIO SOFIA 2GR	
2	01888631		PANN.POST.IX LUCIDO SOFIA 2GR	
3	05257615L61		Silver RT flank	
3	05257615L80		FIANCO DX BIANCO RAL 9016	
3	05257615L81		FIANCO DX ROSSO RAL 3020	
4	05257715L61		Silver LT flank	
4	05257715L80		FIANCO SX BIANCO RAL 9016	
4	05257715L81		FIANCO SX ROSSO RAL 3020	
5	01888711L09		BlackSofia RT/LT flanks fixing	
6	21058211		Cabinet chromed toothsie H.22	
7	01903031		FRONT.BASAM.LUC.CIECO SOFIA2GR	
8	01888811-01		PROTEZ.INF. BACINELLA SOFIA DX	
9	01888111-02		SOTTOVASC.POGGIATAZZ.SOFIA2GR	
10	01888011-02		BACINELLA POGGIATAZZE SOFIA2GR	
11	01890011		SOF.2GR cup heat. ventil.plate	
12	05256915		GRIGLIA POGGIATAZZE IN PLASTIC	
13	01902731		PANN. FRONT. SOFIA 2GR DISPLAY	
14	05257315		Preformed tab	
15	01887931		PORTACOM. LUCIDO SOGIA 2GR DOS	
16	01887521-01		GRIGL.ALTA IX BACIN. SOFIA 2GR	
17	01888211		SOFIA 2GR drain tray	
18	01902511-01		RIPARO ACCESSO SOTTOV.SOFIA2GR	
19	01888911-01		PROTEZ.INF. BACINELLA SOFIA SX	
20	09105616-01		TUBO SCARICO RINF. GOMITO G3/4	
21	05262015-01M09		drain tank w/ hooks	
22	34103116		8MA hex nut	
23	19117016-01		BVM952 roof pin	

Table: PARTI ELETTRICHE (1220)



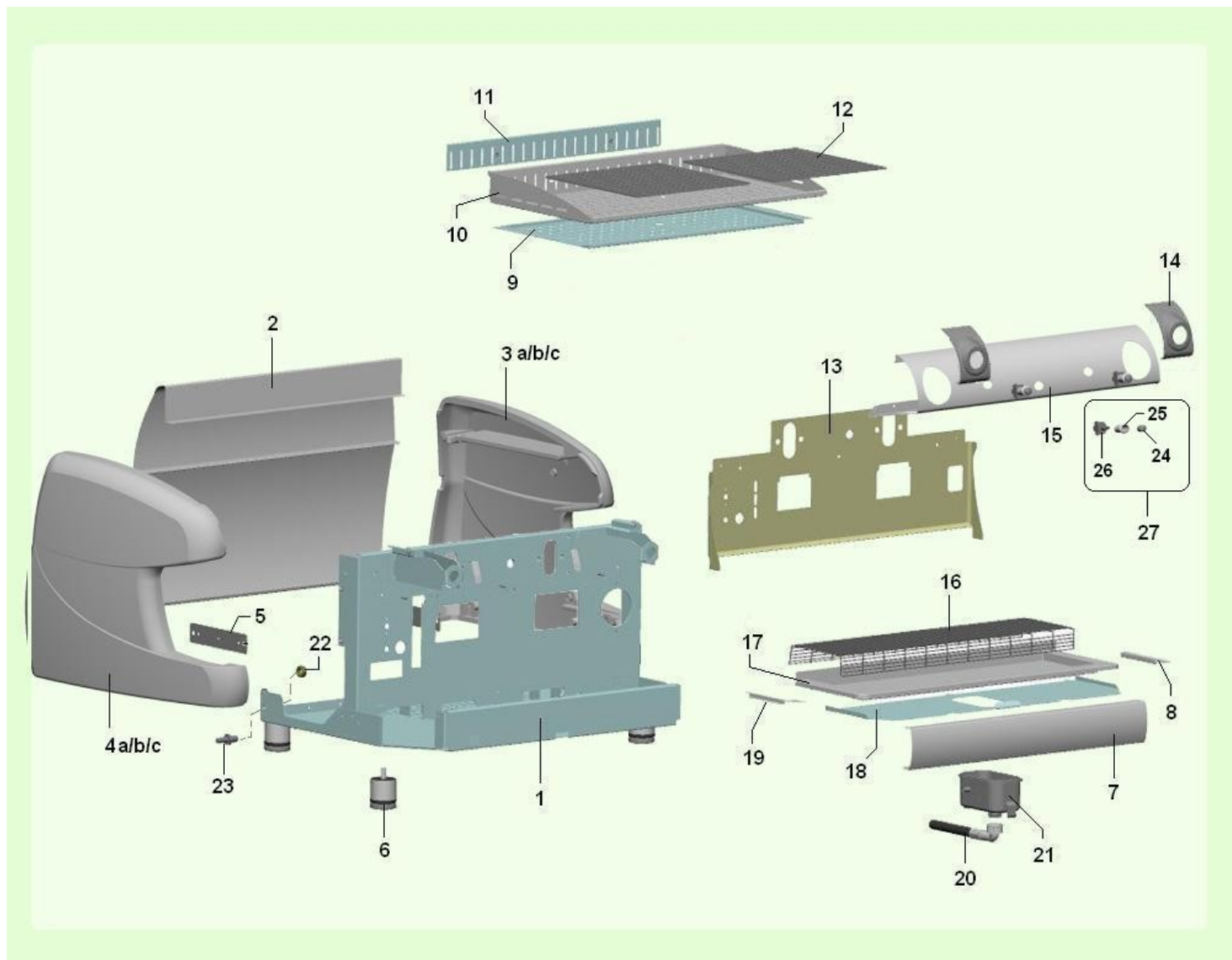
**PARTI ELETTRICHE (1220) - Items detail**

Position	SPARE PARTS CODE VARIANT	Accessories	DESCRIPTION	For each main Item multiply q.ty by
1	26055636		INTER.TRIF. C/PROT.C/CONN. 2GR	
2	22199722		CABL.380V LUCIA L=2500 PRESSAC	
3	30267611-01		PULSANTIERA SARA C/CONN. M	
4	26057916		INTERRUTTORE LUMINOSO	
5	33065926		display spacer	
6	26056912		DISPLAY MACCHINE BAR	
7	01918011L09		SUPPORTO DISPLAY	
8	22187412-01		PIN TO PIN 3M8X2 VIE FEM.L1320	
9	22202322		CABL. SOFIA 2GR DOSATA	
10	05266115		PROTEZIONE DISPLAY	
11	26056816		SCHEDA PER MACCHINE BAR	
12	01907821L09		PIASTRA SUPP. CENTRALINA	
13	32065436		4MAX12 TCEI IX screw	
14	26058210		ASS. DISPLAY HO.RE.CA.	
15	22192112		CABL.DISPLAY MACCHINE DA BAR	

Tables of group :

-  **Ho.re.ca Machines**
-  **BV 342 - SOFIA**
-  **BV342E2G11AR/RT/WT - SOFIA 2GR PULSANTE RS SILVER/RED/WHITE**

Table: **TELAIO E PARTI DI COMPLETAMENTO (1223)**

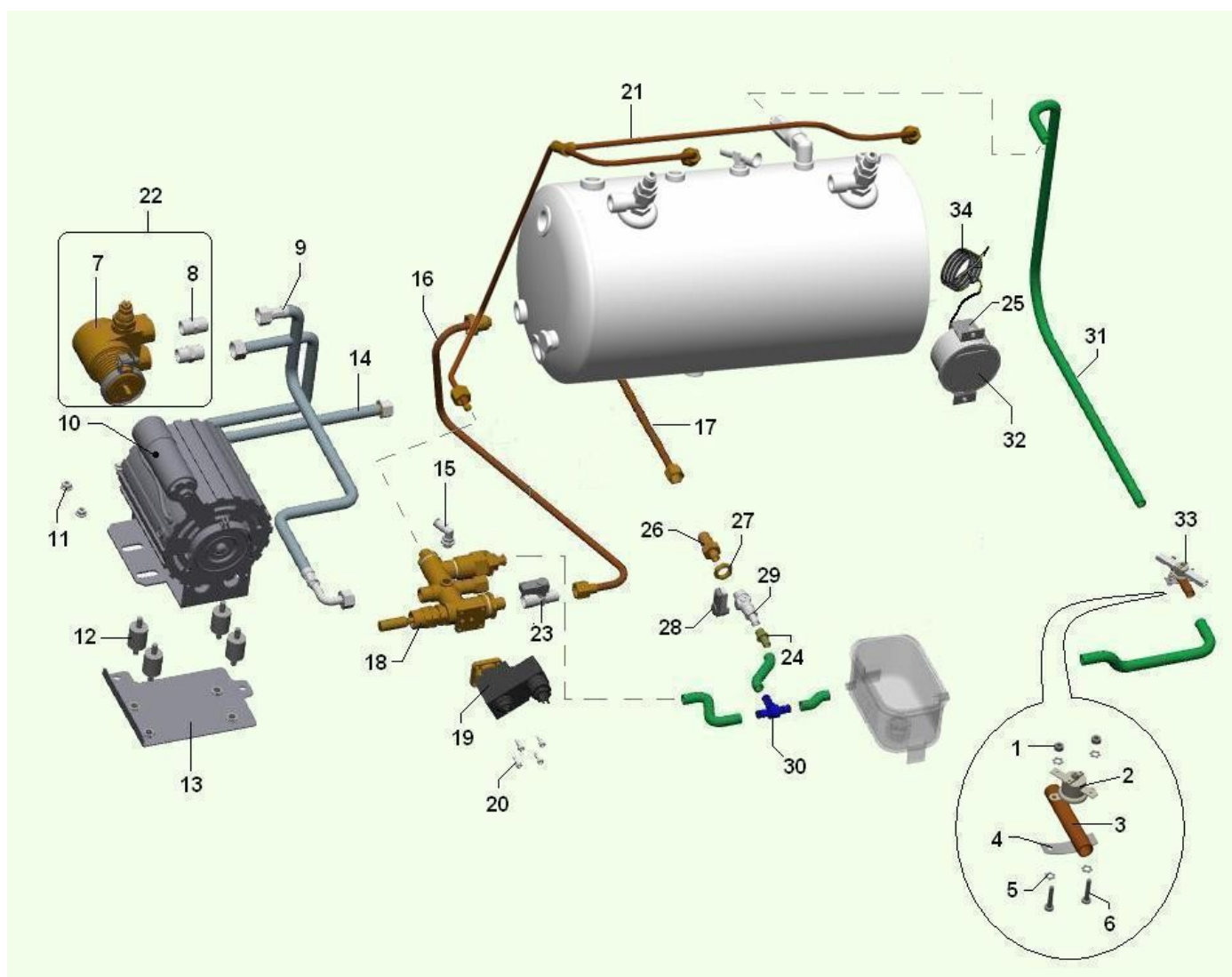


**TELAIO E PARTI DI COMPLETAMENTO (1223) - Items detail**

Position	SPARE PARTS CODE VARIANT	Accessories	DESCRIPTION	For each main Item multiply q.ty by
1	01902622-01L09		TELAIO SOFIA 2GR	
2	01888631		PANN.POST.IX LUCIDO SOFIA 2GR	
3	05257615L61		Silver RT flank	
3	05257615L80		FIANCO DX BIANCO RAL 9016	
3	05257615L81		FIANCO DX ROSSO RAL 3020	
4	05257715L61		Silver LT flank	
4	05257715L80		FIANCO SX BIANCO RAL 9016	
4	05257715L81		FIANCO SX ROSSO RAL 3020	
5	01888711L09		BlackSofia RT/LT flanks fixing	
6	21058211		Cabinet chromed toothsie H.22	
7	01903031		FRONT.BASAM.LUC.CIECO SOFIA2GR	
8	01888811-01		PROTEZ.INF. BACINELLA SOFIA DX	
9	01888111-02		SOTTOVASC.POGGIATAZZ.SOFIA2GR	
10	01888011-02		BACINELLA POGGIATAZZE SOFIA2GR	
11	01890011		SOF.2GR cup heat. ventil.plate	
12	05256915		GRIGLIA POGGIATAZZE IN PLASTIC	
13	01902721-01		PANN. FRONT. SOFIA 2GR	
14	05257315		Preformed tab	
15	01892341		PORTACOM.LUCIDO SOFIA 2GR PLUS	
16	01887521-01		GRIGL.ALTA IX BACIN. SOFIA 2GR	
17	01888211		SOFIA 2GR drain tray	
18	01902511-01		RIPARO ACCESSO SOTTOV.SOFIA2GR	
19	01888911-01		PROTEZ.INF. BACINELLA SOFIA SX	
20	09105616-01		TUBO SCARICO RINF. GOMITO G3/4	
21	05262015-01M09		drain tank w/ hooks	
22	34103116		8MA hex nut	
23	19117016-01		BVM952 roof pin	
24	05256715		Black oval DY button	
25	05256615		DY chromium-plated oval supp.	
26	26053516		16/A 250V bipolar switch	
27	43052810		Bipolar switch w/supp+button	



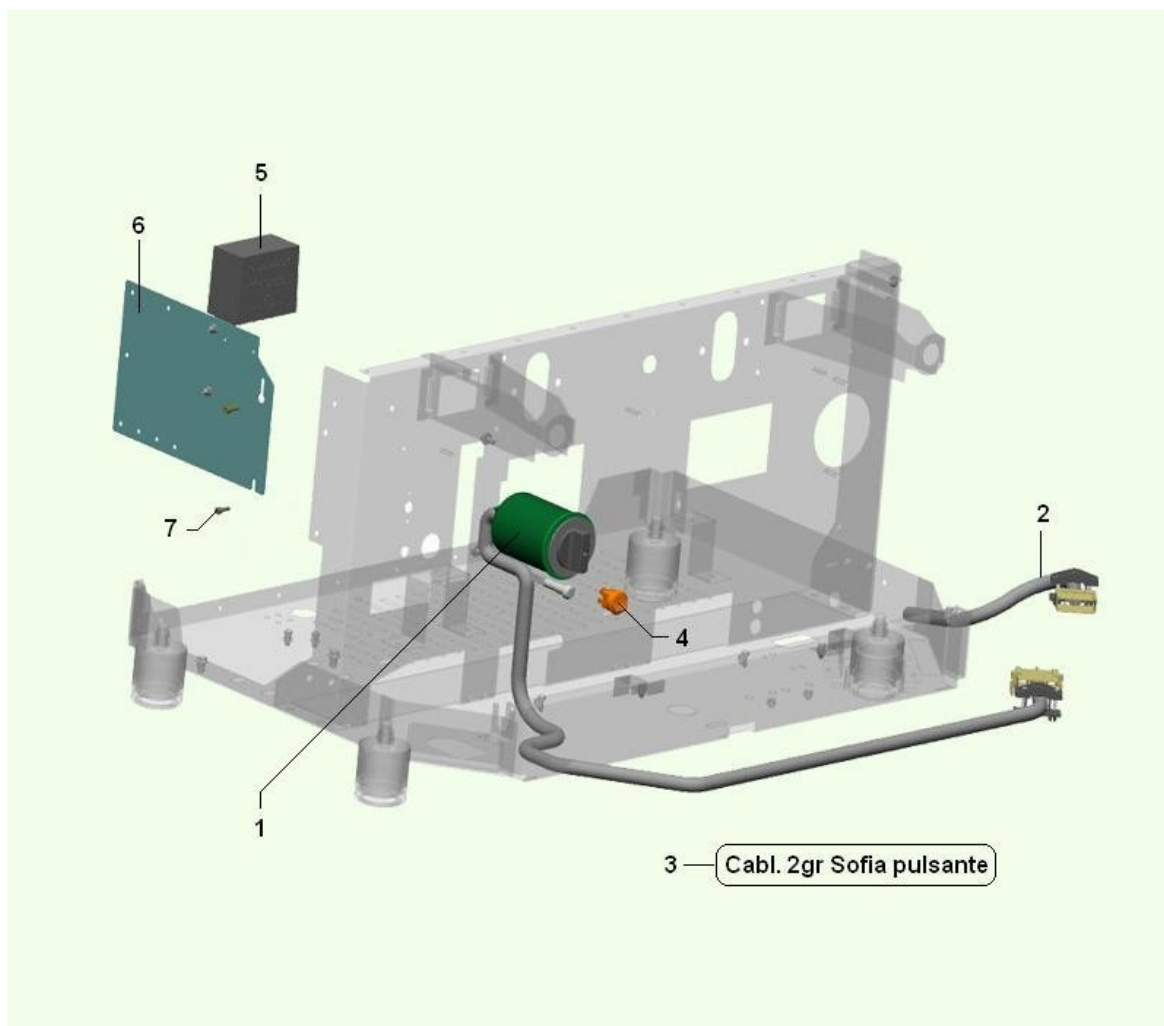
Table: COLLEGAMENTO IDRAULICO (1225)



**COLLEGAMENTO IDRAULICO (1225) - Items detail**

Position	SPARE PARTS CODE VARIANT	Accessories	DESCRIPTION	For each main Item multiply q.ty by
1	34102716		M3 hexagonal nut	
2	25014936-01		clixon75°C	
3	09078221-01		TUBETTO X CLIXON	
4	01213411		clixon plate	
5	35160216		self-locking diam.3.2	
6	32025716		3MA x 16 TC screw	
7	27011516		150Lt pump w/clamp	
8	04055616		3/8 M/M nipple	
9	09103521		TUBO SCHERM.MASS/POMPA L=500	
10	20035216		Pump motor 4P 1V 150W 220V	
11	34115516		M6 nut with washer	
12	05257815		Pump absorber	
13	01989521L09		PIASTRA MOTORE 165W SOFIA	
14	09104011-01		hose 2200	
15	04065336		RACC.GOM.G1/8 C/OR GIR.TUBO 4	
16	09102711		Water charge pipe	
17	09103311		Hot water charge pipe	
18	04055136		MASSELLO LIGHT A LEVA	
19	25034316		2ways e.v.	
20	32065436		4MAX12 TCEI IX screw	
21	09106011		TUBO SCAMBIATORE 2GR PULSANTE	
22	27013110		ASS.EL-POMPA C/FASCETTA 150 LT	
23	04067416		RUBIN.A SFERA MF 1/4 FIL L11mm	
24	04032446		1/8" rubber holder connection	
25	01902411		STAFFA FISS.MANOM.DOPPIA SCALA	
26	04066111		RACCORDO G1/4 CARTELLA G1/8	
27	04014111		hexagonal nut 1/4GAS	
28	05279911		LEVA NYLON x RUBIN. A SFERA	
29	04054716		MICROVALV F/F 1/8 ART 570 OLAB	
30	05277316		RACC. A T 5/16 NYLON 66	
31	09087843-02		7x11 brown silicone pipe	
32	25035316-01		MANOM.ø63 D.SCALA 2.5:16B G1/8	
33	25019620		clixon tube assy - 75°	
34	25038126		CAPILL.IN RAME 1x2x850 RIV.PVC	

Table: PARTI ELETTRICHE (1224)



**PARTI ELETTRICHE (1224) - Items detail**

Position	SPARE PARTS CODE VARIANT	Accessories	DESCRIPTION	For each main Item multiply q.ty by
1	26055636		INTER.TRIF. C/PROT.C/CONN. 2GR	
2	22199722		CABL.380V LUCIA L=2500 PRESSAC	
3	22191812-01		CABL. 2GR SOFIA PULSANTE	
4	26057916		INTERRUTTORE LUMINOSO	
5	26053616		220V level damper	
6	01907821L09		PIASTRA SUPP. CENTRALINA	
7	32065436		4MAX12 TCEI IX screw	