

Bianchi Vending Group - Spare Parts
Catalog:

 **BV 351 - SOFIA SUPER AUTOMATICA**

Summary

BV 351 - SOFIA SUPER AUTOMATICA	1
BV 351 - SOFIA SUPER AUTOMATICA BV351E1G01AR - SOFIA 1GB AUTO SILVER	2
BV 351 - SOFIA SUPER AUTOMATICA BV351E1G01AR - SOFIA 1GB AUTO SILVER STRUCTURAL PARTS	3
FRAME AND EXTERNAL COVER (833)	4
PARTS OF COMPLETION (846)	6
BV 351 - SOFIA SUPER AUTOMATICA BV351E1G01AR - SOFIA 1GB AUTO SILVER SUPPLY	8
ASSEMBLY NOZZLES ELV. SOFIA AUTOM. (842)	9
BV 351 - SOFIA SUPER AUTOMATICA BV351E1G01AR - SOFIA 1GB AUTO SILVER ESPRESSO ASSEMBLY	11
ASSEMBLY BOILER SOFIA AUTOM. (849)	12
PLASTIC COFFEE GROUP (839)	14
ASSEMBLY PISTON (834)	16
DOSER COFFEE (837)	18
ASSEMBLY GRINDER-DOSER (836)	20
COFFEE BEAN HOPPER COFFEE - CHUTE DEC. (845)	22
KIT GEARMOTOR AUTOMATIC GRINDING ADJUSTM. (835)	24
ASSEMBLY MAINTENANCE CUBE SOFIA (935)	26
ASSEMBLY GRINDER VERTICAL ENGINE (953)	28
KIT FOR GRINDER WITH VERTICAL MOTOR (30)	30
GEARMOTOR COFFEE GROUP (483)	32
GRINDER VERT. - GEAR (336)	34
BV 351 - SOFIA SUPER AUTOMATICA BV351E1G01AR - SOFIA 1GB AUTO SILVER HYDRAULIC COMPONENTS	36
BOILER CONNECTION - MAINTENANCE CUBE (850)	37
ASSEMBLY TAP WATER - STEAM (848)	39
WATER CONTAINER INPUT WATER (841)	41
INPUT AND OUTPUT WATER (840)	43
ASSEMBLY PUMP COFFEE - FLOW DETECTOR (843)	45
ASSEMBLY PUMP WATER (844)	47
COMPONENTS TAP STEAM/WATER (799)	49
BV 351 - SOFIA SUPER AUTOMATICA BV351E1G01AR - SOFIA 1GB AUTO SILVER ELECTRICS & ELECTRONICS	51
ASSEMBLY ELECTRICAL BOX (838)	52
KEYBOARD - INTERFACE BOARD - CABLES (847)	54
BV 351 - SOFIA SUPER AUTOMATICA BV351E1G03AR - SOFIA 1GB AUTOBVG	56
BV 351 - SOFIA SUPER AUTOMATICA BV351E1G03AR - SOFIA 1GB AUTOBVG STRUCTURAL PARTS	57
PARTS OF COMPLETION (1282)	58
FRAME AND EXTERNAL COVER (833)	60
BV 351 - SOFIA SUPER AUTOMATICA BV351E1G03AR - SOFIA 1GB AUTOBVG SUPPLY	62
ASSEMBLY BREWING GROUP BV351 (1280)	63
BV 351 - SOFIA SUPER AUTOMATICA BV351E1G03AR - SOFIA 1GB AUTOBVG ESPRESSO ASSEMBLY	65
ASSEMBLY BOILER (1274)	66
ASSEMBLY MAINTENANCE CUBE (1275)	68
ASSEMBLY GRINDER-DOSER (1276)	70
COFFEE GROUP - SOLENOID 3WAYS (1277)	72
ASSEMBLY PISTON (834)	74
DOSER COFFEE (837)	76
COFFEE BEAN HOPPER COFFEE - CHUTE DEC. (845)	78
ASSEMBLY GRINDER VERTICAL ENGINE (29)	80
GEARMOTOR COFFEE GROUP (483)	82
GRINDER VERT. - GEAR (336)	84
BV 351 - SOFIA SUPER AUTOMATICA BV351E1G03AR - SOFIA 1GB AUTOBVG HYDRAULIC COMPONENTS	86
TAP STEAM / WATER (1278)	87
INPUT - OUTPUT WATER (1279)	89
BOILER CONNECTION - MAINTENANCE CUBE (850)	91
ASSEMBLY PUMP COFFEE - FLOW DETECTOR (843)	93
ASSEMBLY PUMP WATER (844)	95
BV 351 - SOFIA SUPER AUTOMATICA BV351E1G03AR - SOFIA 1GB AUTOBVG ELECTRICS & ELECTRONICS	97

Group charts

 **BV 351 - SOFIA SUPER AUTOMATICA**

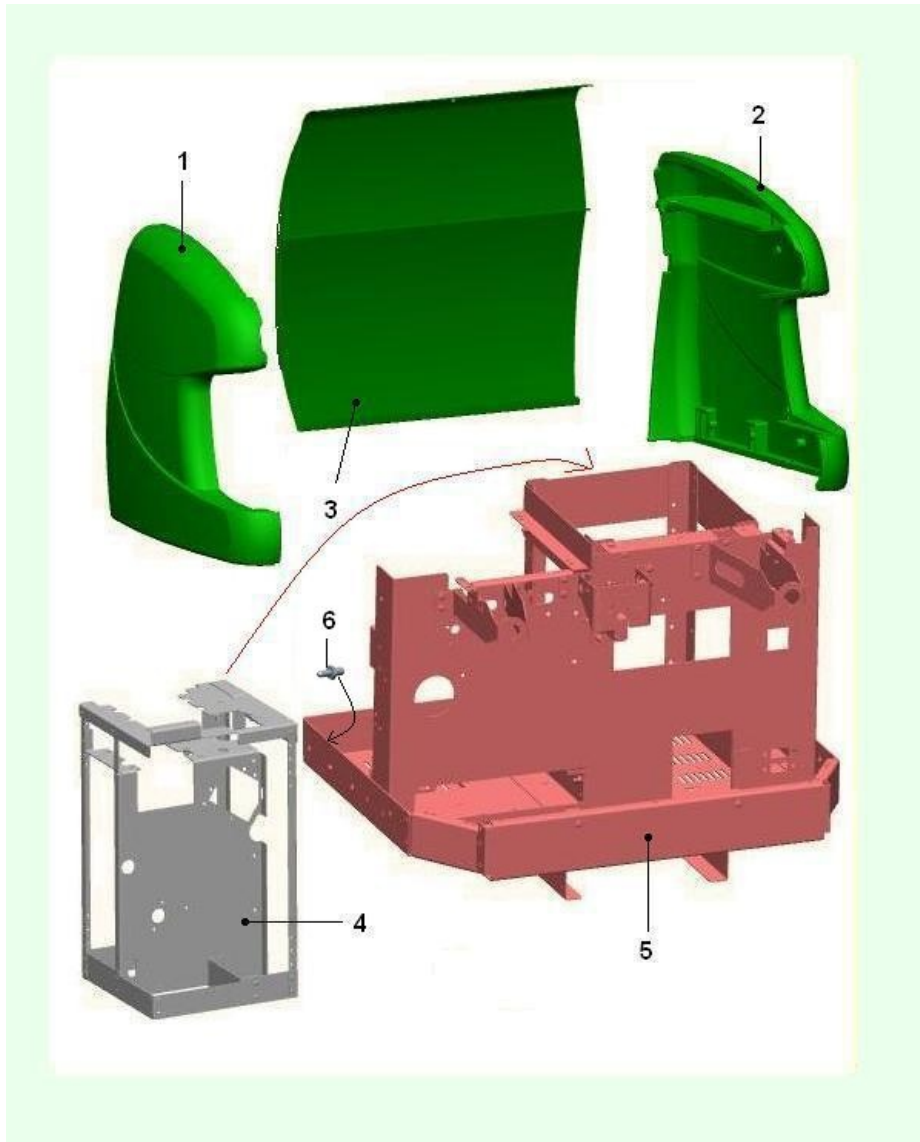
Group charts

 **BV 351 - SOFIA SUPER AUTOMATICA**
 **BV351E1G01AR - SOFIA 1GB AUTO SILVER**

Group charts



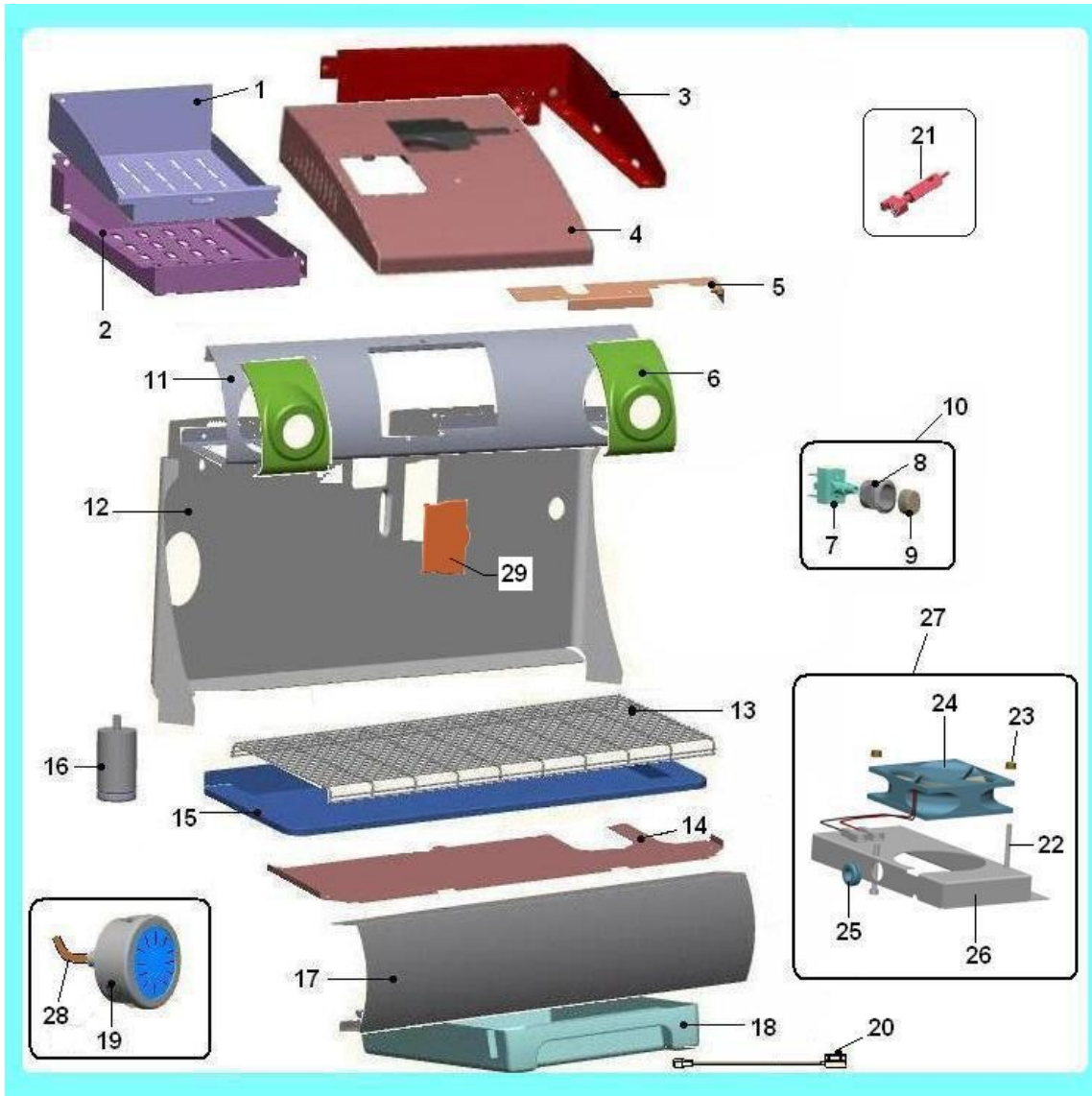
FRAME AND EXTERNAL COVER (833)



FRAME AND EXTERNAL COVER (833) - Item detail:

Position	Code	Options	Description
1	05253110		left flank assy sofia silver
2	05253210		right flank assy sofia silver
3	01890812		Aut.Sophia back assy
4	01865512-01		Autom.Sophia maintenance cube
5	01864712-02		metal structure/frame BV351 1g
6	19117016-01		BVM952 roof pin

PARTS OF COMPLETION (846)



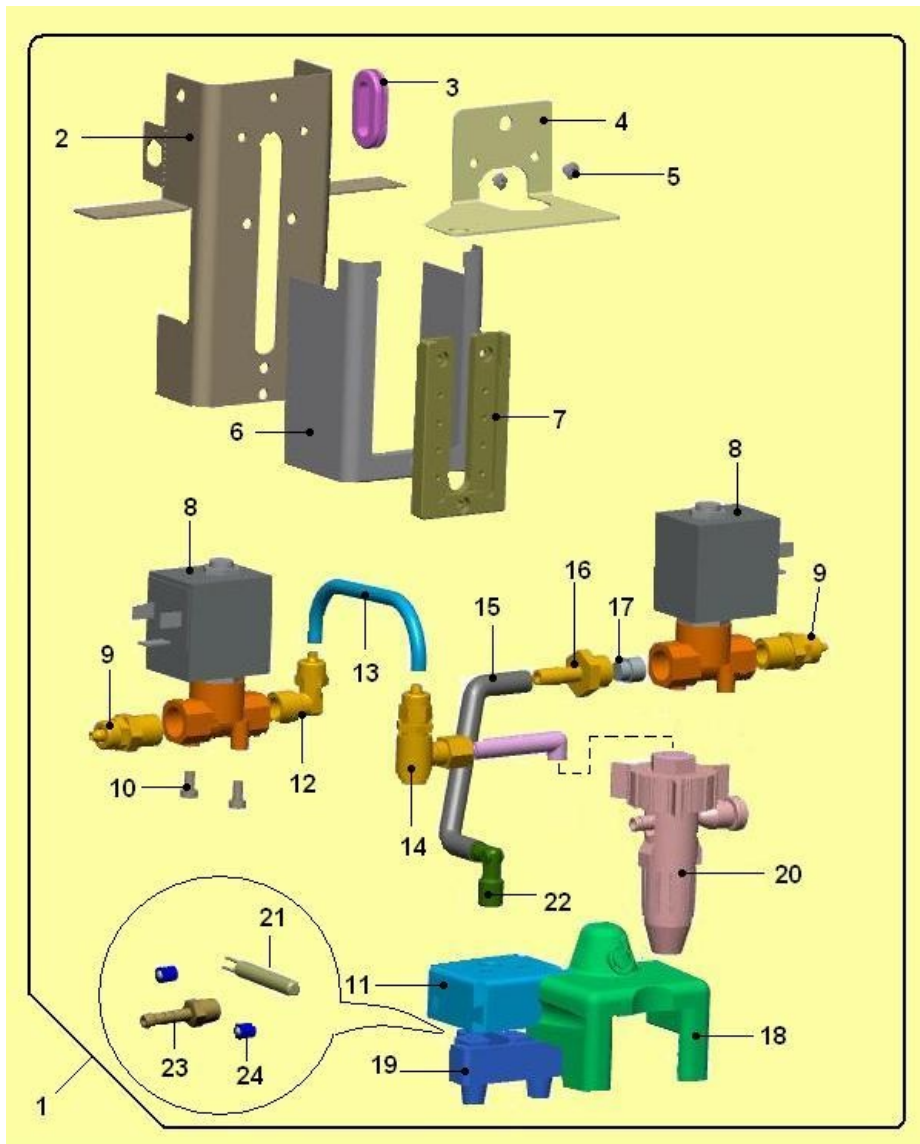
PARTS OF COMPLETION (846) - Item detail:

Position	Code	Options	Description
1	06026912		cupsrest assy sof 1gr BV351
2	06026812		cupsrest lower assy sof 1gr
3	01865212-01		right backside roof assy BV351
4	01898212		Aut. Sophia cube carter assy
5	01899711		right frontside roof sofia aut
6	05257315		Preformed tab GEM
7	26053516		16/A 250V bipolar switch GEM
8	05256615		DY chromium-plated oval supp. GEM
9	05256715		Black oval DY button GEM
10	43052810		Bipolar switch w/supp+button GEM
12	01861811		Cups background
13	01862211		Automatic Sophia cups support
14	01899311		Aut.Sophia maint.lower carter
15	01864812		Drops collection tray
16	21058241		chromed coffe machine foot D50
17	01862711		Cups grid lower cover
19	25034816-01		pressure gauge d50 0:3BAR G1/8
20	24021616		Level sensor reed
21	05097215-02M09		Service key XT Clixon black am
22	32068316		TCEI 4MAx35 screw
23	34115316		M4 nut with washerODE
24	20019436		FP-108D/DC24V S1 3200G fan
25	23004046		cable feederable
26	01927811		support for fan sofia aut
27	01927910		Sofia Automatic fan assy
28	25038126		COPPER CAPIL. 1x2x850 RIV.PVC
29	05155715-01M09		plug for motor service opening

Group charts



ASSEMBLY NOZZLES ELV. SOFIA AUTOM. (842)



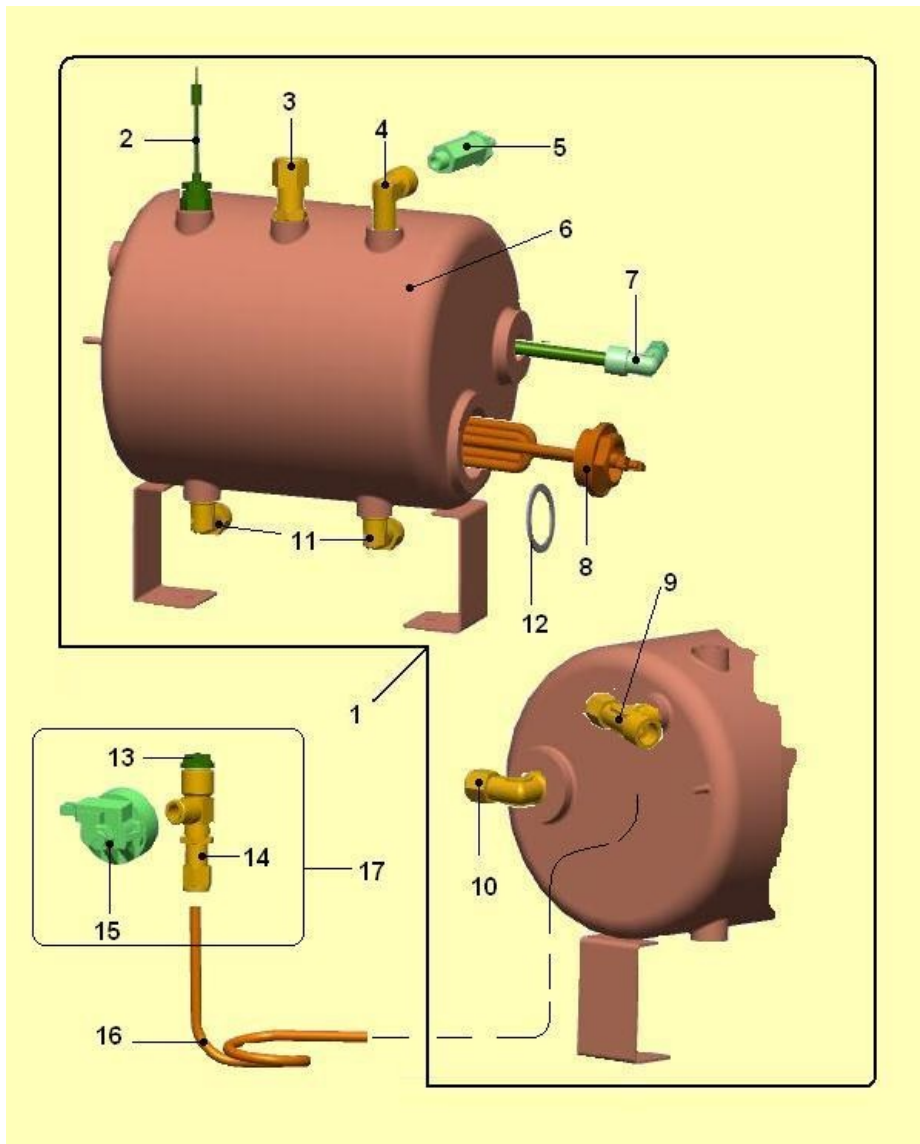
ASSEMBLY NOZZLES ELV. SOFIA AUTOM. (842) - Item detail:

Position	Code	Options	Description
1	96069310		el.valv. nozzle assy sofia aut
2	01861311		el.valv nozzle support BV351
3	23004076		cable feederable
4	01877711		mixer support BV351
6	01867511		Nozzles guide carter
7	05262115M09		nozzle guide sofia aut
8	25012146		24 v DC 2-ways electrovalverubber holder
9	04058726		1/4M straight connect.-6/4pipe
10	32060416		4MAx8 screw
11	13010111		SOPHIA UPPER NOZZLE INGOT
12	04041326		connection 1/4 M - pipe 6/4
13	09085423		4x6 teflon pipe581
14	04059816		revolv.connection+frother arm
15	09087823M57		5x9 silicon pipe black am
16	04041126		Ø 3 rubber holder 1/8
17	05081555M57		NOZZLE O,8MM HOLE
18	05262215M09		nozzle protection sofia aut
19	13010211		SOPHIA LOWER NOZZLE INGOT
20	05253616		milk frother stainless steel
21	29002442		Heating cartridge15W 24Vw/fast
22	04036136		elbow connection D.6-1/8M
23	04041116		Ø 3 rubber holder 1/84 DM7,5
24	21058616		positioner stainless steel

Group charts



ASSEMBLY BOILER SOFIA AUTOM. (849)



ASSEMBLY BOILER SOFIA AUTOM. (849) - Item detail:

Position	Code	Options	Description
1	85006610		complete boiler sofia aut
2	26053116		level probe 1/4M 7786/A olab
3	04035436		1/4M connection-pipe Ø 8 w/nut
4	04031226		1/4M - 1/4F angular connection
5	04056726		1/4M cal. 2.2 BAR safety valve
6	87011811		3,5lt boiler sofia autom
7	04054812		Sofia boiler primer assy
9	04059516		T junction1/4F-1/4M pipe 8 nut
10	04035366		curved junction 3/8"M tube+nut
11	04041326		connection 1/4 M - pipe 6/4
12	36361416		Resistance teflon gasket GEM
13	04056826		valve 1/4M CIL 7676/B
14	04059016		1/4F-1/8F central T junction
15	25033916		1/8-REG 0.8-2- PRESSURE SWITCH
16	09102611		copper pipe 8*6 450mm manostat
17	25035710		pressure switch assy sofia aut

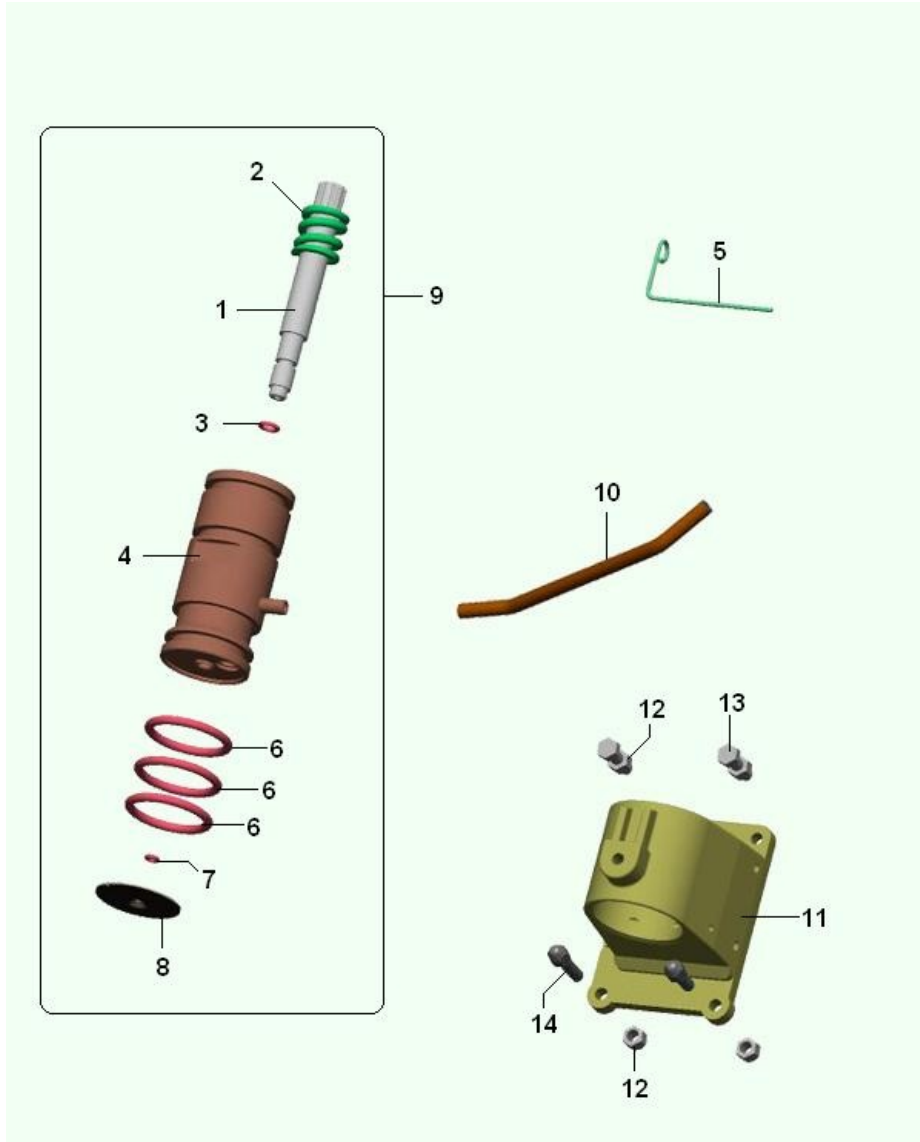
PLASTIC COFFEE GROUP (839)



PLASTIC COFFEE GROUP (839) - Item detail:

Position	Code	Options	Description
1	95007430-03		plastic coffee group w/funnel
2	05106715		bush cupt.
3	36211916		OR 2037 gasketODE
4	36212716		Joint 3037 SH70 VITON
5	05107415		drive rodt.
6	05148315		rod liftert.
7	36210916		OR2021 gasketODE
8	05107515		rivett.
9	32222827		Blunt self-threaded screw 2,9x9,5
10	05107115		connecting rodt.
11	05107215		brackett.
12	05107615		crankt.
13	32060936		TC 4MAx20 screw
14	05107815		locking levert.
15	43123910-01		front/rear shoulder assembly
16	29002432		Heating cartridge30W 230Vw/fas
17	05107915		locking rodt.
18	34102836		4MA nut hexagonal
19	05109515		Knobrame
20	32090636		TE 5MAx18 screwank
21	05106815-01		tube for cupt.
22	07017911		right spatula spring-971
23	05107015		spatulat.
24	05106615-01		cupt.
25	05161225		waste coffee 2holes eject rod
26	36363116		Joint 2118 SH70 VITON
27	16012021		coffee group filterer
28	32035236		TSP 3MAx16 IX screw
29	05253815M09		coffee group funnel BVM333
30	01865612		Metallic powder slide
31	09085423		4x6 teflon pipe581
33	09087823M57		5x9 silicon pipe black am
34	23004046		cable feederable
35	26005136		microswitch with wheelm
36	08004111		microswitch insulationr spring
37	07017921		left spatula spring-971
38	36351316		o-ring for cooffe group pipeODE
39	01475411-01		Coffee group rotation key
40	05088925		brown rubber holder connection10

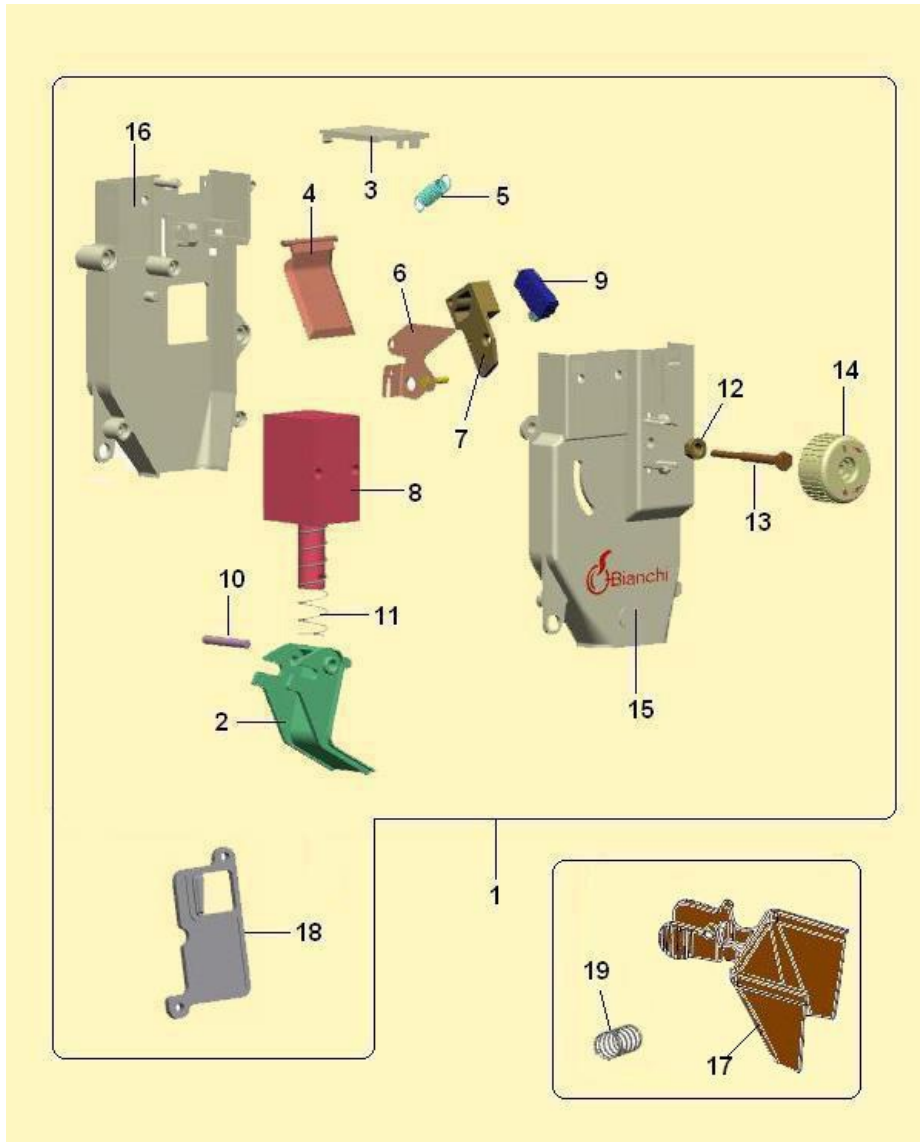
ASSEMBLY PISTON (834)



ASSEMBLY PISTON (834) - Item detail:

Position	Code	Options	Description
1	05107725		piston filter knobt.
2	07017611-01		piston spring
3	36210916		OR2021 gasketODE
4	05148032-01		Piston with valve seat
5	07017511		piston block rod-971
6	36211816		OR4112 gasketODE
7	36212116		OR2010 gasketODE
8	16014812		filter assyer
9	05138130-01		Cegasa coffee-gr. piston assy
10	09087873-02		3x6 brown silicone pipe
11	13010311		piston holder
12	34110316		Self-locking nut 5MA7

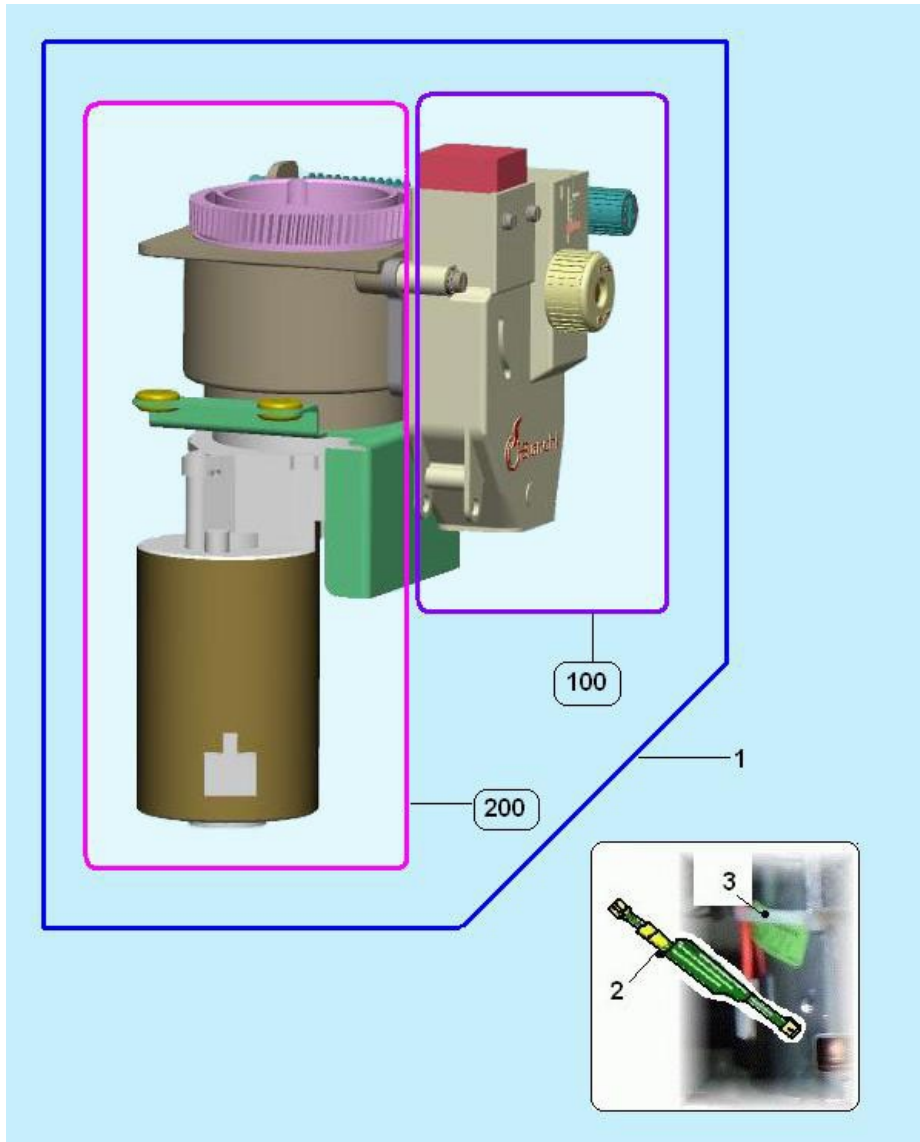
DOSER COFFEE (837)



DOSER COFFEE (837) - Item detail:

Position	Code	Options	Description
1	43002410-02		doser assy with spacer
2	05135115-01		coffee doser tray
3	05135025		top cover for doserwn) C2000
4	05135315		coffee doser mobile wallwn) C2000
5	07020611		spring-971
6	01586212-02		MICRO SUPPORT
7	05154615		micro. coffee-dos. supporty grate(graph.)
8	20019146-01		magnet 5% 24v dcb.shaft
9	26029616		microswitch with cable(proof)7
10	33051716		4x25 IX parallel pin
11	07020511-01		magnet spring-971
12	34115316		M4 nut with washerODE
13	19058911		adjusting screw for microew
14	05135215		dose adjustment knobwn) C2000
15	05134815		Doser front coverwn) C2000
16	05134925		Doser rear coverwn) C2000
17	05135435M37		coffee funnel sofia autom.
18	05155615-01		spacer
19	07020911		coffee funnel spring-971

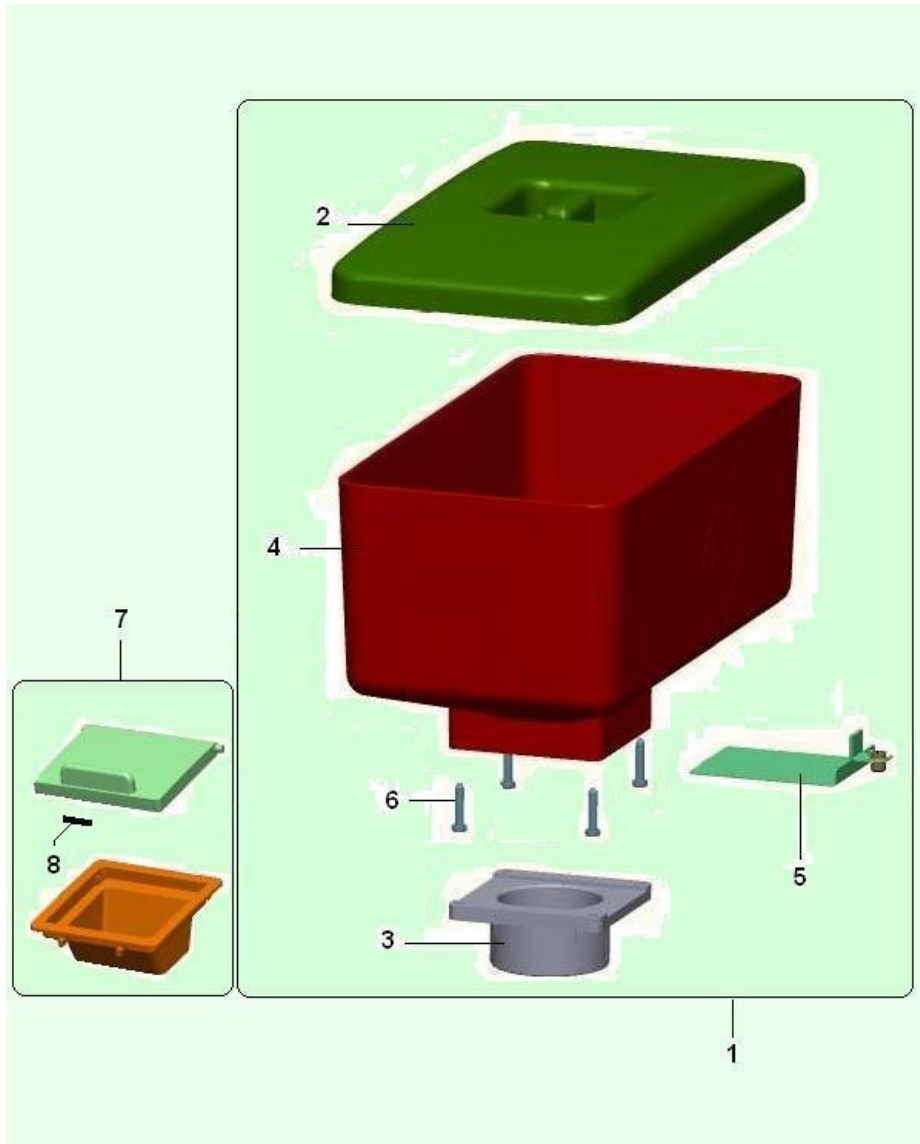
ASSEMBLY GRINDER-DOSER (836)



ASSEMBLY GRINDER-DOSER (836) - Item detail:

Position	Code	Options	Description
1	96057660-01		grinder-doser assy 12teeth
2	22126622		AMETEK FAST 4,8 grinder motor protection
3	23026316		lon plast.strip l.290er
100	1698		DOSER COFFEE (837)
200	1858		ASSEMBLY GRINDER VERTICAL ENGINE (953)

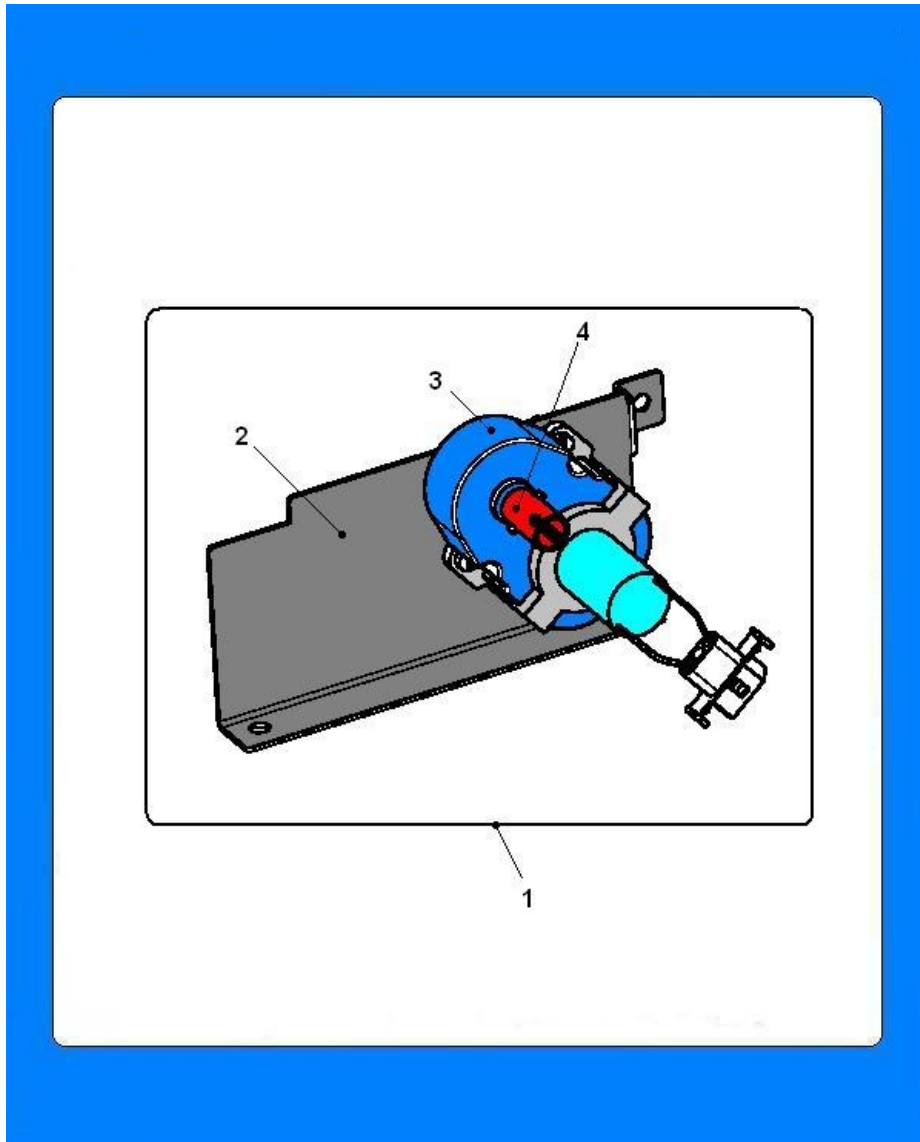
COFFEE BEAN HOPPER COFFEE - CHUTE DEC. (845)



COFFEE BEAN HOPPER COFFEE - CHUTE DEC. (845) - Item detail:

Position	Code	Options	Description
1	05250510		COFFEE BOX AUT. SOPHIA
2	05249915M09		AUT.SOPHIA COFF.BOX BLAC.COVER
3	00112050		flange for feedbox
4	05249715M00		beans container sofia aut
5	43145510		SOFIA waste coffee bulkhead
6	32010736		4,0X20 UNI9707 tapping screw
7	43067110-01		Autom.Sophia door+slide dek
8	24021516		3x5x15 sensor magnet

KIT GEARMOTOR AUTOMATIC GRINDING ADJUSTM. (835)



KIT GEARMOTOR AUTOMATIC GRINDING ADJUSTM. (835) - Item detail:

Position	Code	Options	Description
2	01865711		grinder motor regulator plate
3	20018436		24VDC 12RPM 2,2nF 100V LT MOT.
4	19068811		regulation lever bushew

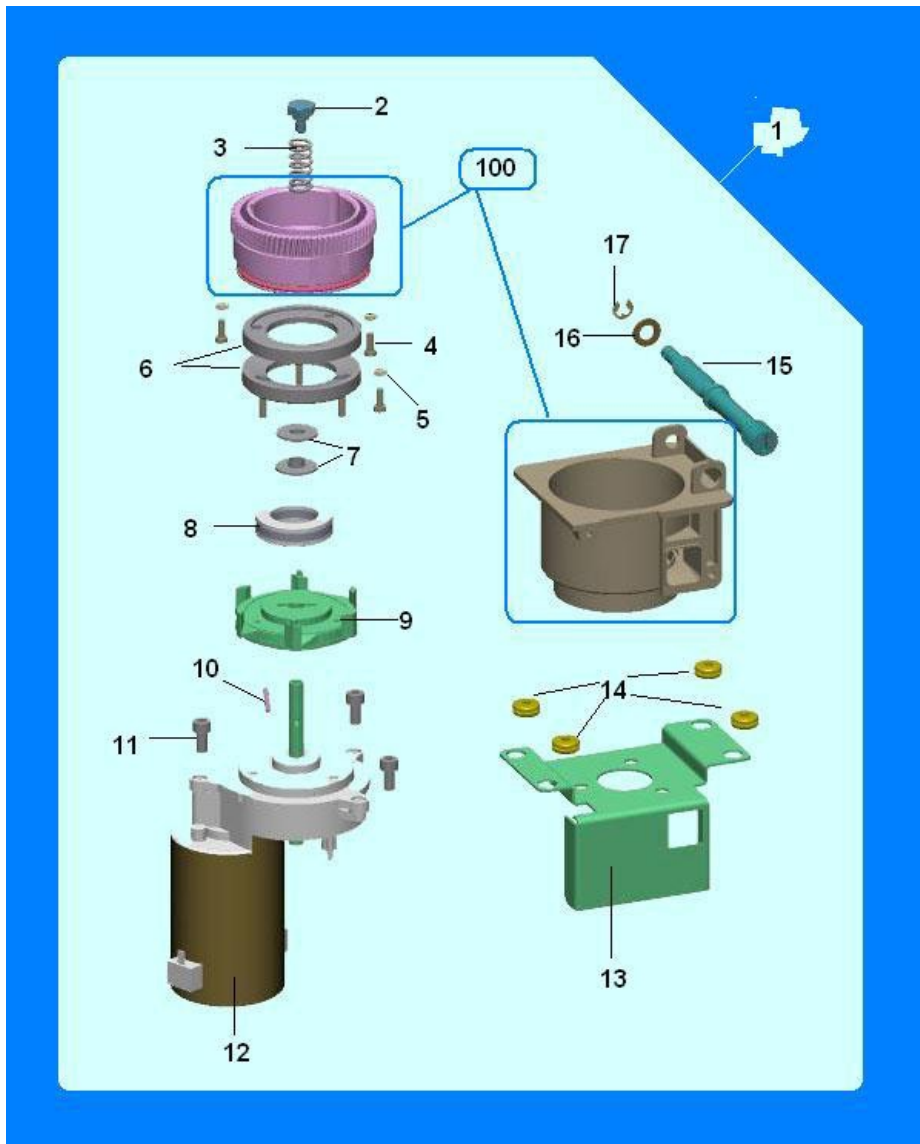
ASSEMBLY MAINTENANCE CUBE SOFIA (935)



ASSEMBLY MAINTENANCE CUBE SOFIA (935) - Item detail:

Position	Code	Options	Description
1	01865410-01		Sophia maintenance cube
100	1701		KIT GEARMOTOR AUTOMATIC GRINDING ADJUSTM. (835)
200	1699		ASSEMBLY GRINDER-DOSER (836)
300	925		GEARMOTOR COFFEE GROUP (483)
400	1696		PLASTIC COFFEE GROUP (839)
500	1697		ASSEMBLY PISTON (834)

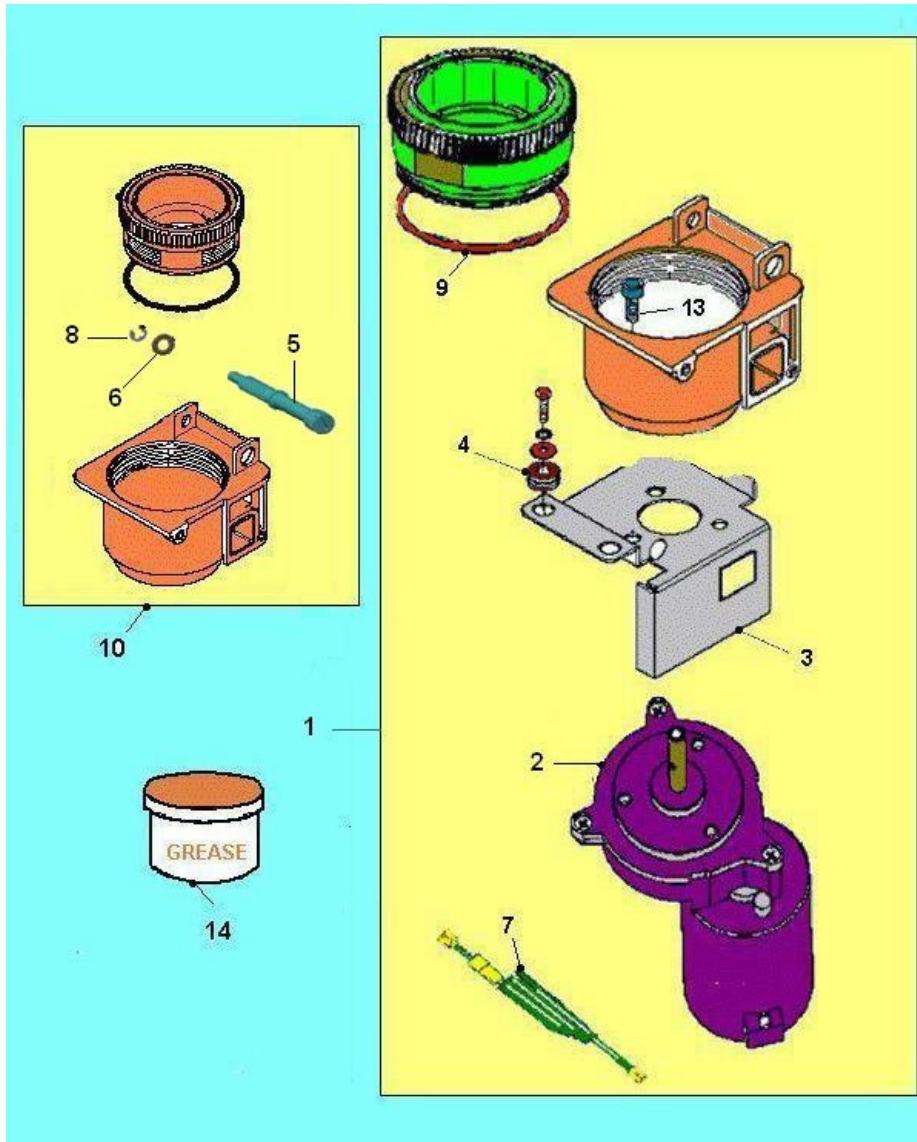
ASSEMBLY GRINDER VERTICAL ENGINE (953)



ASSEMBLY GRINDER VERTICAL ENGINE (953) - Item detail:

Position	Code	Options	Description
1	86001360-01		grinder assembly
2	19059021		screw for ametek springew
3	07020411		grinder holder spring-971
4	32060516		4MAx10 screw
5	34102816		4MA hex nutODE
6	18007326		D=64 grinder blade 12teeth
7	19060411		bush with washerew
8	19059216		bearingew
9	13008211-02		mobile blade support
10	12017411		wire D30x30er
11	32135316		MA6X12 cross-headed embedded hexagon Zn screw
12	20020616		24VDC grinder Ametek gearmotor
13	01586921		Grinder Ametek support
14	23004086		cable damper(6*15 - rubber)able
15	05134715		grinder adjustment screwwn) C2000
16	35168826		flat washer D.8,4*15,5*1,2
17	37001116		Ø 6 seeger ring
100	47		KIT FOR GRINDER WITH VERTICAL MOTOR (30)

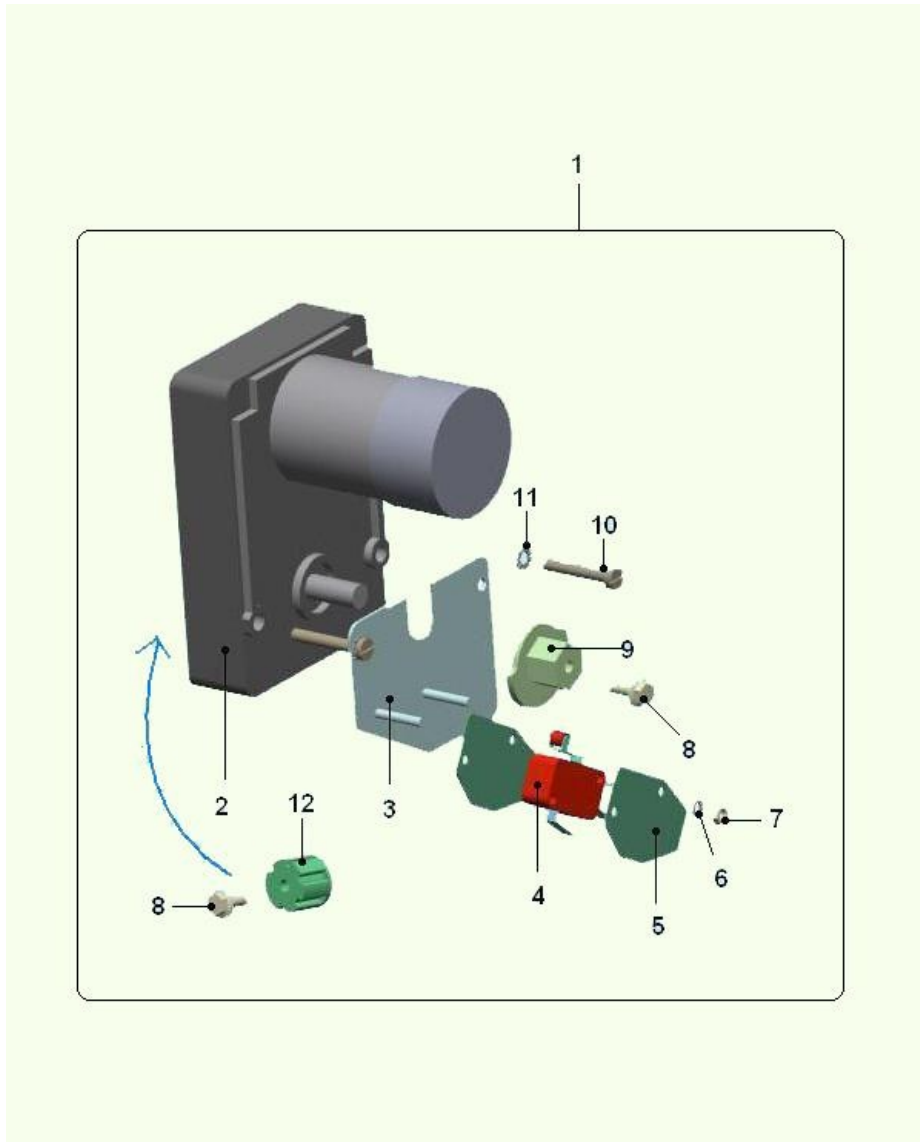
KIT FOR GRINDER WITH VERTICAL MOTOR (30)



KIT FOR GRINDER WITH VERTICAL MOTOR (30) - Item detail:

Position	Code	Options	Description
1	41038520		new grinder assy 24VDC ametekODE
2	20020616		24VDC grinder Ametek gearmotor
3	01586921		Grinder Ametek support
4	23004086		cable damper(6*15 - rubber)able
5	05134715		grinder adjustment screwwn) C2000
6	35168826		flat washer D.8,4*15,5*1,2
7	22126622		AMETEK FAST 4,8 grinder motor protection
8	37001116		Ø 6 seeger ring
9	36211316		O-ring 3262 NBR 70 SHODE
10	43018910-01		grinder chamber assy w/knob
13	32135316		MA6X12 cross-headed embedded hexagon Zn screw
14	43028311		40g food grease

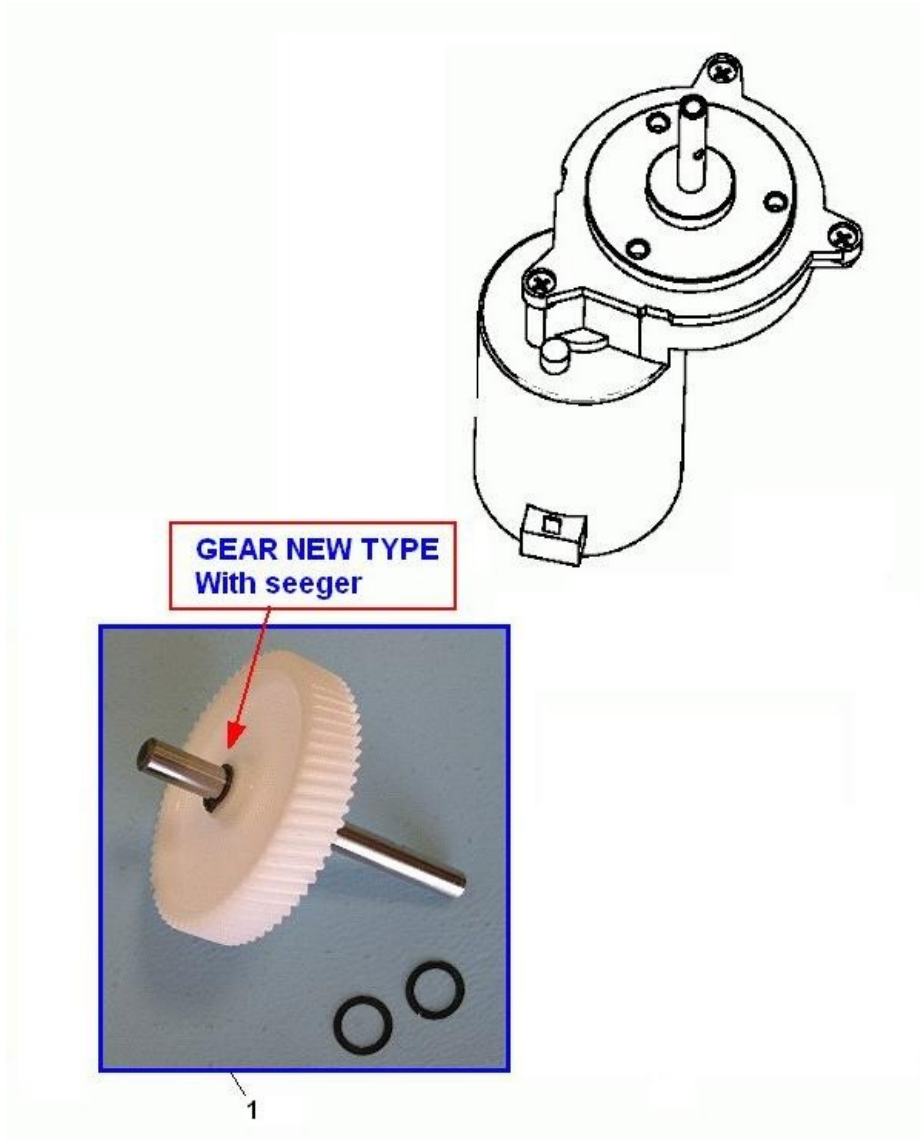
GEARMOTOR COFFEE GROUP (483)



GEARMOTOR COFFEE GROUP (483) - Item detail:

Position	Code	Options	Description
1	20016810-03		Motor assy w/24V cable coffee group
2	20014946-02		24VDC12rpm cof.group gearmotor w/out cable
3	01484212		bracket for microion plate
4	26005126		microswitch with wheel
5	08004111		microswitch insulationr spring
6	35160216		self-locking diam.3.2
7	34102716		M3 hexagonal nut
8	32050516		screw 4 MAX10
9	05110915-01M09		black rotating group cam
10	32061016		4M x 25 screw
11	35160316		d. 4,2 IX self locking washer
12	41081216		

GRINDER VERT. - GEAR (336)



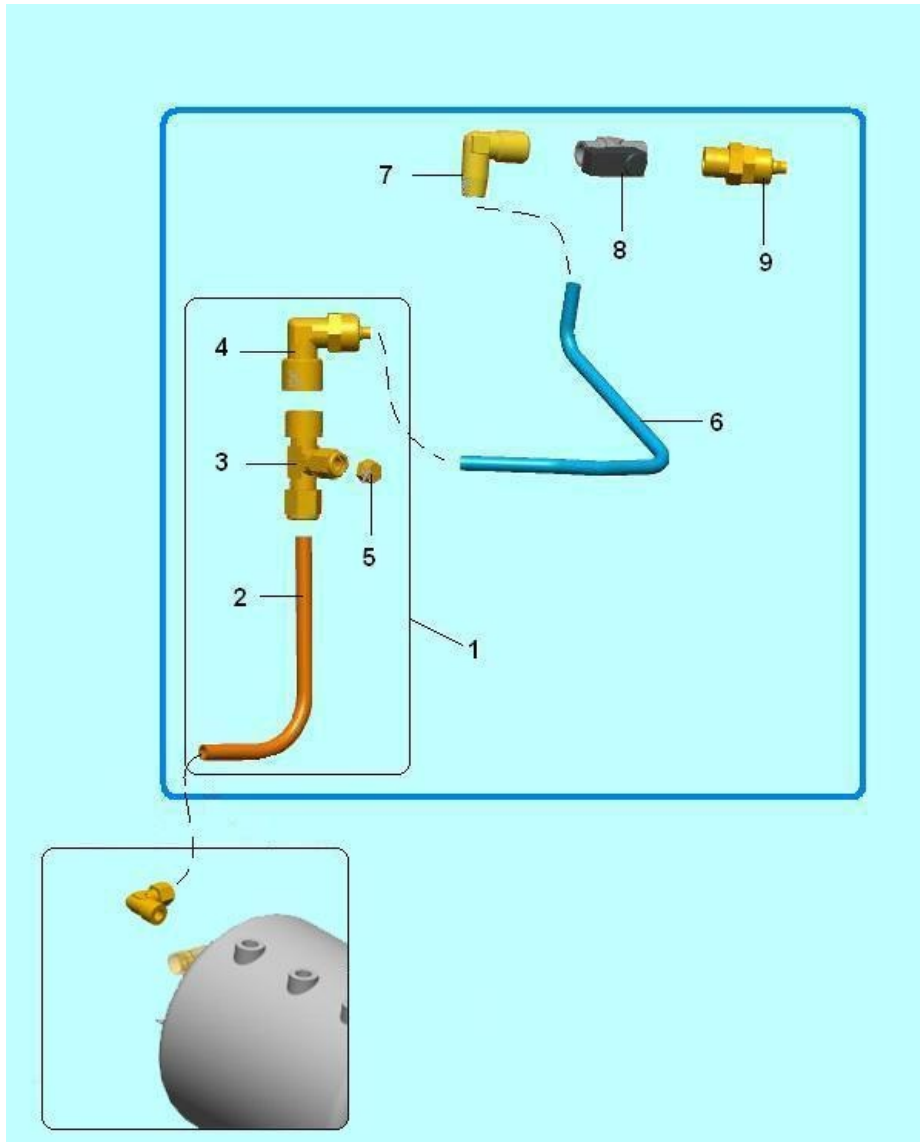
GRINDER VERT. - GEAR (336) - Item detail:

Position	Code	Options	Description
1	43002726		gearing with pivot for ametekmetek

Group charts



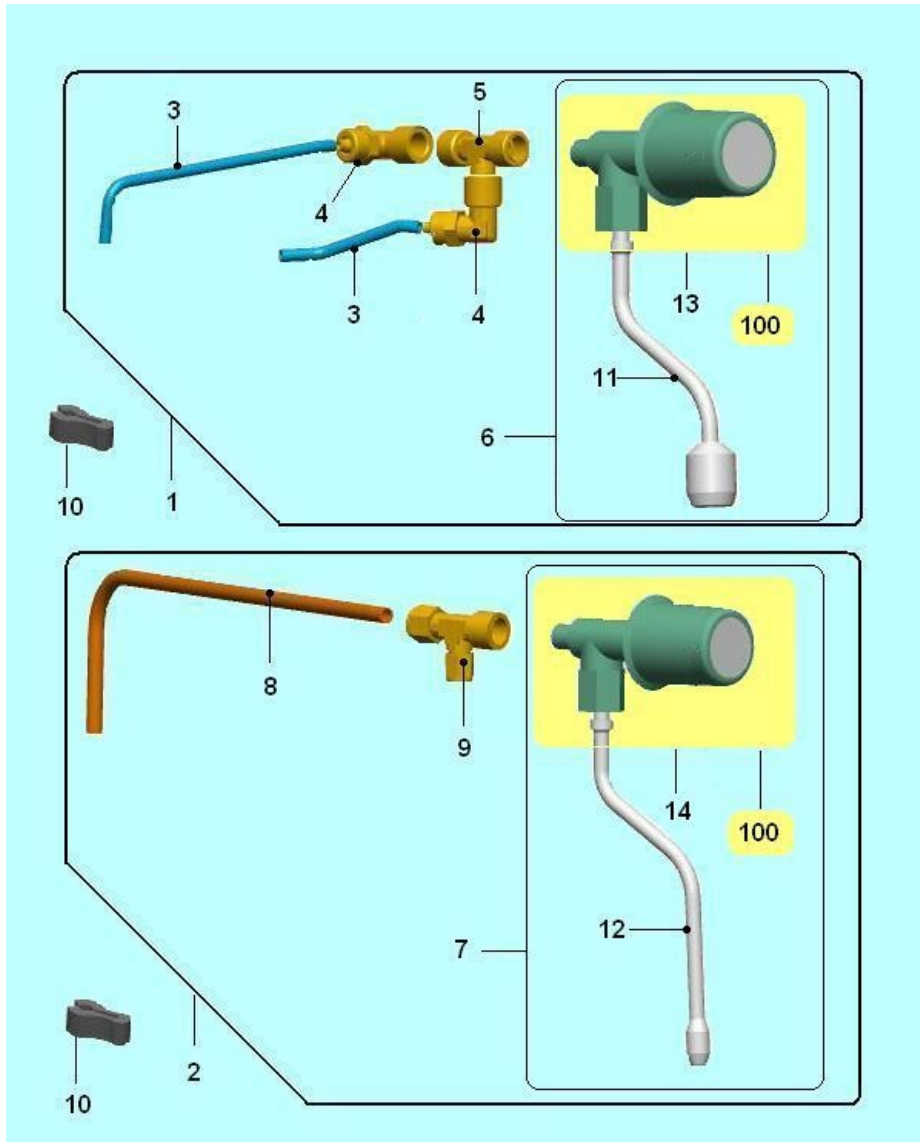
BOILER CONNECTION - MAINTENANCE CUBE (850)



BOILER CONNECTION - MAINTENANCE CUBE (850) - Item detail:

Position	Code	Options	Description
1	04060410		bypass pipe assembly sofia aut
2	09102411		copper pipe bypass injector
3	04059316		T junction 1/4F pipe 6 - pipe8
4	04041326		connection 1/4 M - pipe 6/4
5	04038816		1/8 blind female cap4 DM7,5
6	09085423		4x6 teflon pipe581
7	04031216		connection M/Fassy
8	04054716		Micro valve F/F 1/8
9	04058716		1/4M straight connect.-6/4pipe

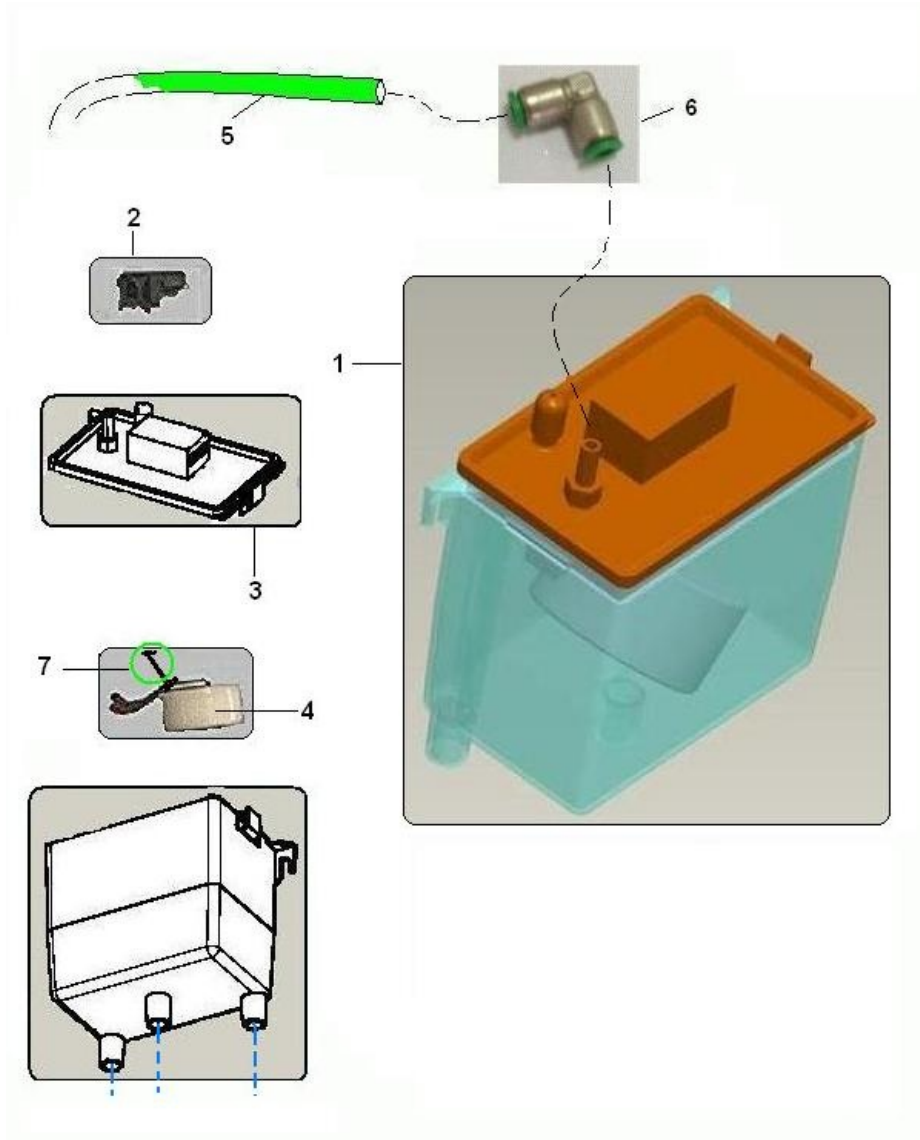
ASSEMBLY TAP WATER - STEAM (848)



ASSEMBLY TAP WATER - STEAM (848) - Item detail:

Position	Code	Options	Description
2	04060310		steam valve assy sof aut
3	09085423		4x6 teflon pipe581
4	04041326		connection 1/4 M - pipe 6/4
5	04059116		T connection 1/4F - 1/4F
6	43136616		water tap assembly
7	04055936		Whole steam tap GEM
8	09102511		steam tube copper 8*6 L370
9	04059316		T junction 1/4F pipe 6 - pipe8
10	05257115		PLASTIC TONGS for STEAM WAND
11	04057816		Chromium-plated water nozzle GEM
12	04057716		Chromium-plated steam nozzle GEM
13	43128516		Water valve body
14	04055916		Water steam body tap GEM
100	1636		COMPONENTS TAP STEAM/WATER (799)

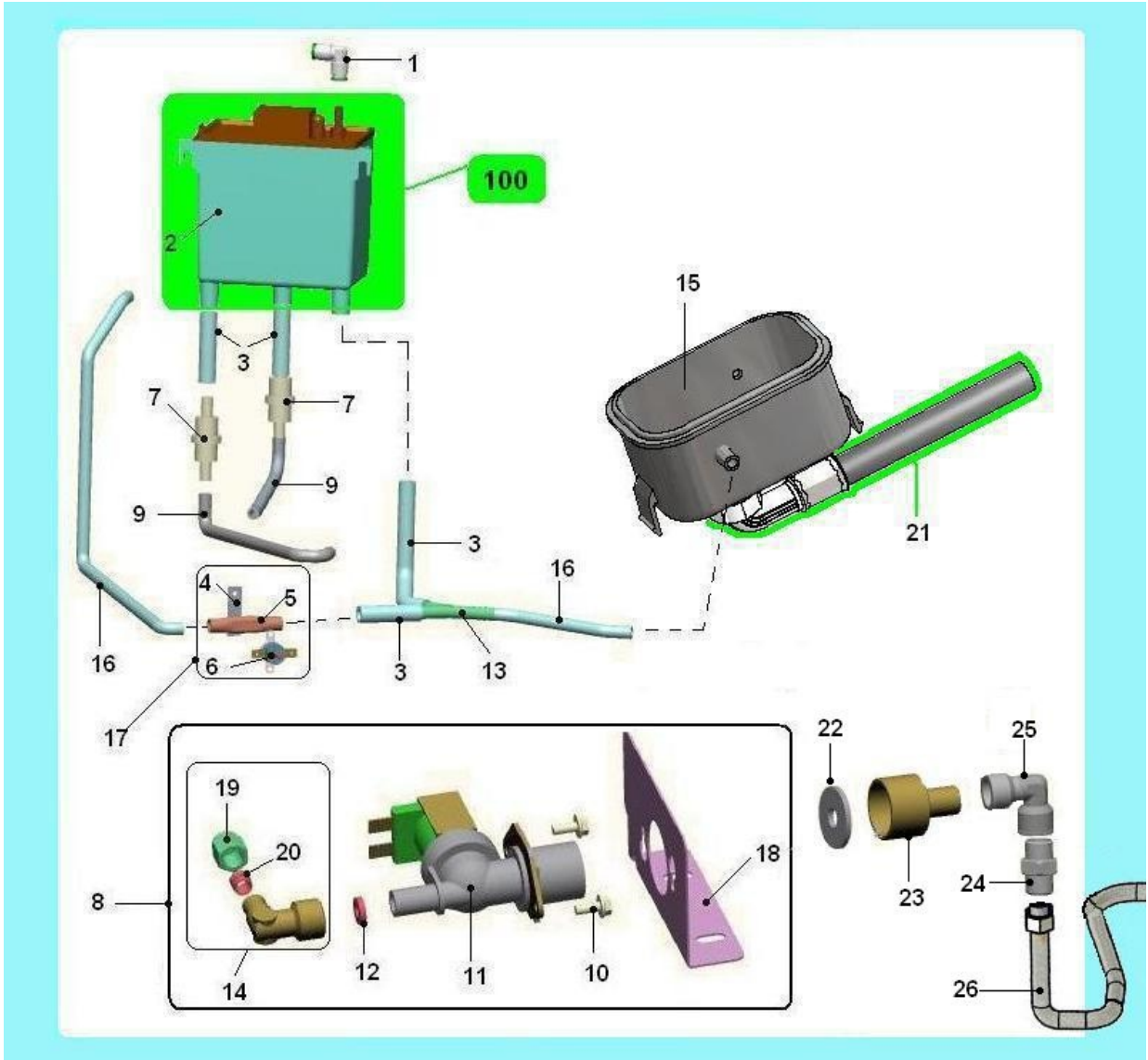
WATER CONTAINER INPUT WATER (841)



WATER CONTAINER INPUT WATER (841) - Item detail:

Position	Code	Options	Description
1	93012020		water tank (instant machine)mm
2	26024316		tank sensor
3	43001016-01		Water tray cover with joint
4	43000916		floater+support for 93012010air-break
5	09085423		4x6 teflon pipe581
6	04041416		quick-release connection D=64 DM7,5
7	43017916		cam for airbreak cod93012010B

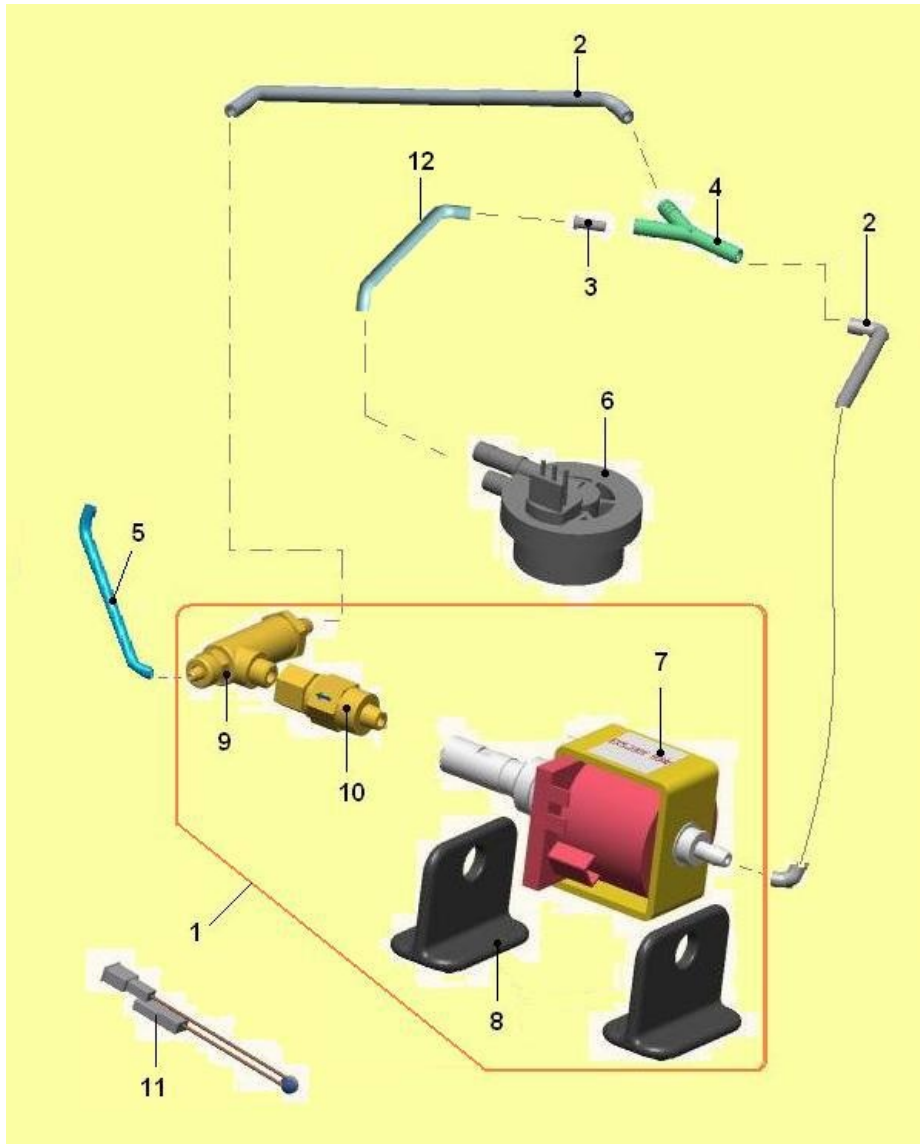
INPUT AND OUTPUT WATER (840)



INPUT AND OUTPUT WATER (840) - Item detail:

Position	Code	Options	Description
1	04041416		quick-release connection D=64 DM7,5
2	93012020		water tank (instant machine)mm
3	09029753-01		8x12 silicone transp.pipe
4	01213411		clixon plate
5	09078221-01		CLIXON PIPE
6	25014936-01		clixon75°Crubber holder
7	16014316		water filterer
8	25032710		water entrance assy sof aut
9	09087823M57		5x9 silicon pipe black am
10	32050516		screw 4 Mx10
12	05111026		Silicon plain gaskett.frame silver
13	05240015M00		3ways connector 9mm ext.
14	04036846		elbow connection4 DM7,5
15	05262015-01M09		drain tank w/ hooks
16	09029763-01		5x9 transparent silicone pipe
17	25019620		clixon tube assy - 75°
18	01863811		water entrance plate H20
19	04035626		nut for elbow connectionGAS.A234
20	19046526		locking bushgroup
21	09105616-01		reinforc elbow drain pipe G3/4
22	05111016		Ø 25,5 silicone plain gaskett.frame silver
23	04000121		Straight connection 3/8 Gmassy
24	04055616-01		3/8 M/M nipple
25	43114916		connection a l 3/8 ff art 456
26	09104011-02		FLEXIBLE PIPE
100	1705		WATER CONTAINER INPUT WATER (841)

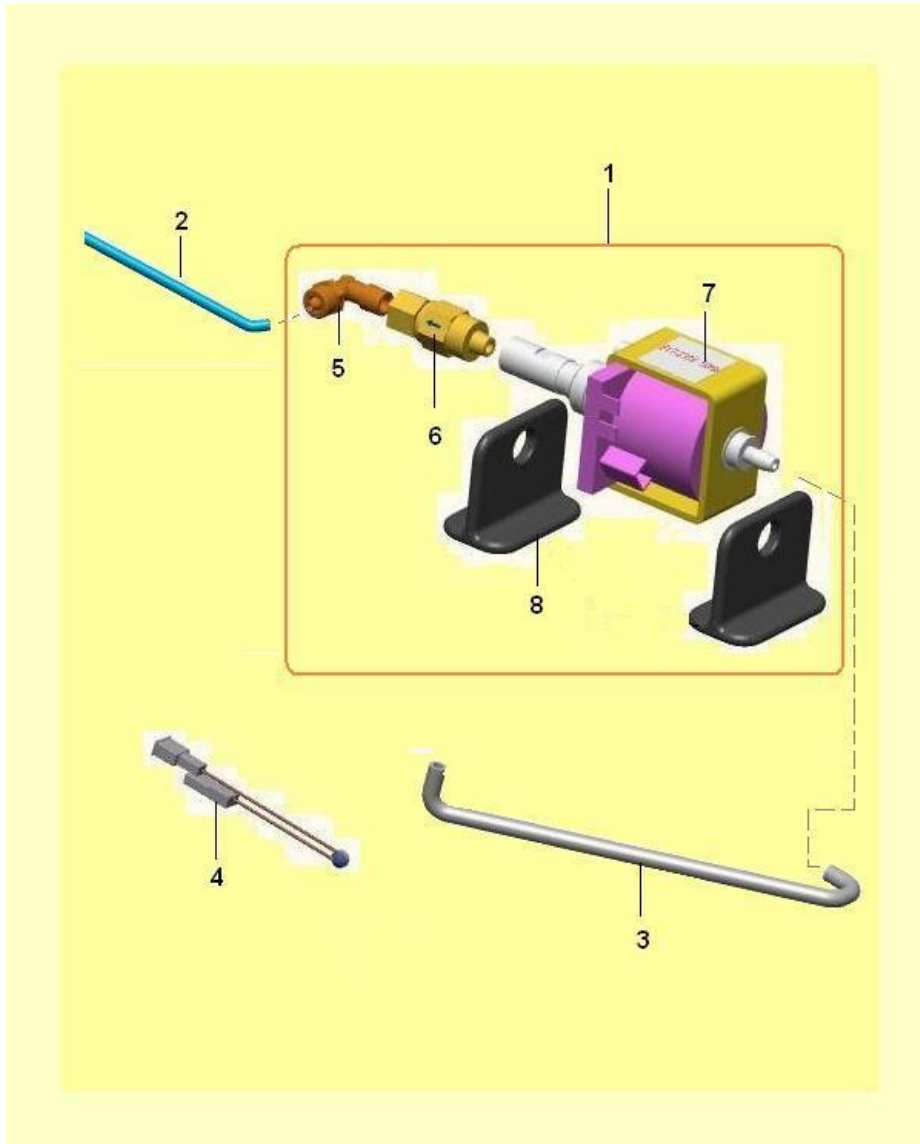
ASSEMBLY PUMP COFFEE - FLOW DETECTOR (843)



ASSEMBLY PUMP COFFEE - FLOW DETECTOR (843) - Item detail:

Position	Code	Options	Description
1	27011910		T coffee pump assy sofia aut
2	09087823-02		brown sez silicon pipe 5x9
3	05102225		brown mixing chambersy
3	05102215M57		mixer camber reductor black
4	05240015M00		3ways connector 9mm ext.
5	09085423		4x6 teflon pipe581
6	24012126		flow sensor entri diam 1,2
7	27003316		EX5 230V-50Hz Ulka electropumpy-pass
8	05259515M09		Pump support (ULKA/FLUIDOTECH)
9	04040916-01		11BAR PRO SAFETY VALVE
10	04041016		anti return valve male/female4 DM7,5
11	25022616-01		Clixon Microtherm F11 100°
12	09029763-01		5x9 transparent silicone pipe

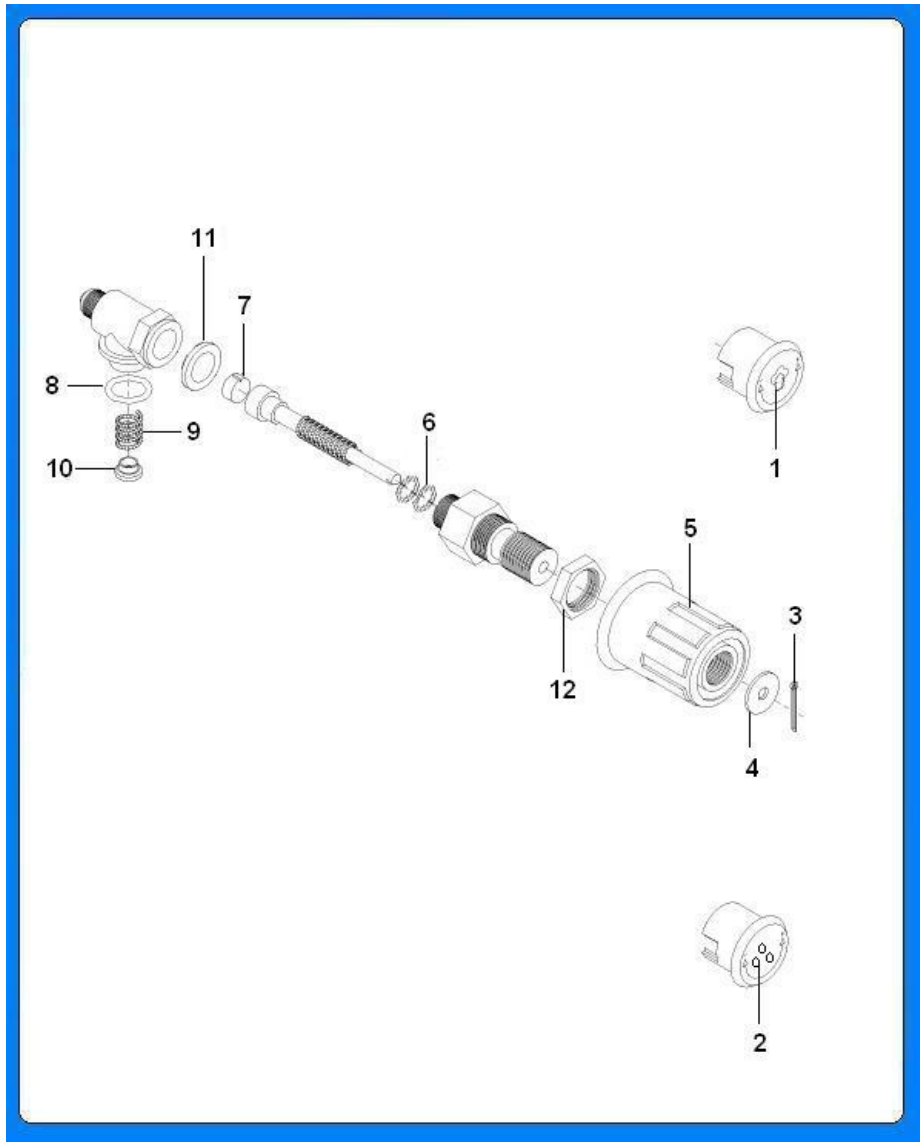
ASSEMBLY PUMP WATER (844)



ASSEMBLY PUMP WATER (844) - Item detail:

Position	Code	Options	Description
1	27011810		water pump assembly sofia
2	09085423		4x6 teflon pipe581
3	09087823-02		brown sez silicon pipe 5x9
4	25022616-01		Clixon Microtherm F11 100°
5	04041316		connection 1/8 GM pipe 6/44 DM7,5
6	04041016		anti return valve male/female4 DM7,5
7	27003336		EX7 230V Ulka electropump
8	05259515M09		Pump support (ULKA/FLUIDOTECH)

COMPONENTS TAP STEAM/WATER (799)



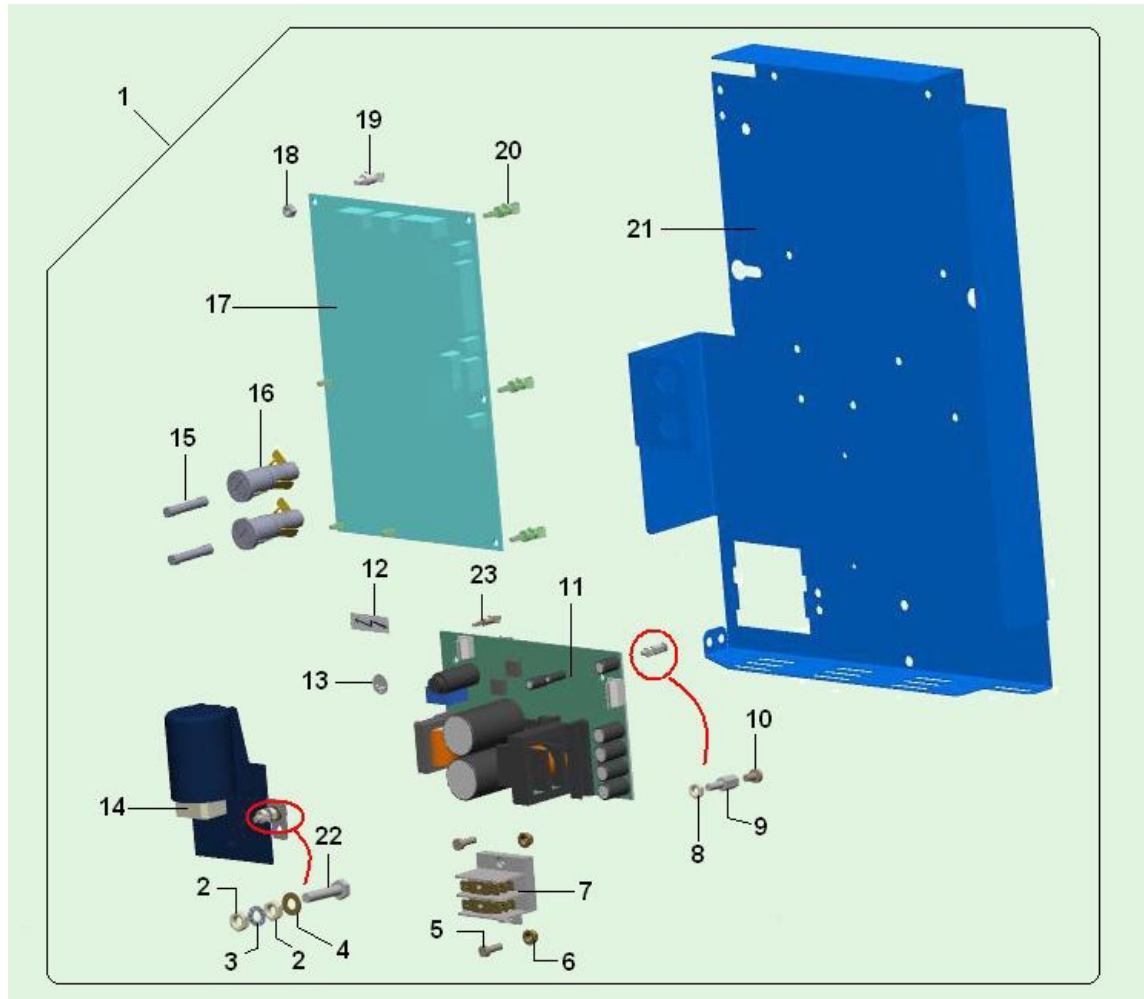
COMPONENTS TAP STEAM/WATER (799) - Item detail:

Position	Code	Options	Description
1	04058316		Water/steam nozz. spring slideGEM
1	05276525		cap for steam tap knob
2	05276515		cap for water tap knob
3	33057626		SPLIT PIN D. 1.5x15 STAINLESS
4	18004971		forelock washer
5	05276615		KNOB TAP WATER/STEAM
6	43057216		5 gasket GEM
7	43057116		F062 gasket GEM
8	18011011		21x16,8x2 PTFE teflon washer GEM
9	07034711		Water/steam/cap nozzle spring GEM
11	18002536		3/8" copper gasketer
12	43128416		1/2 G lock nut

Group charts



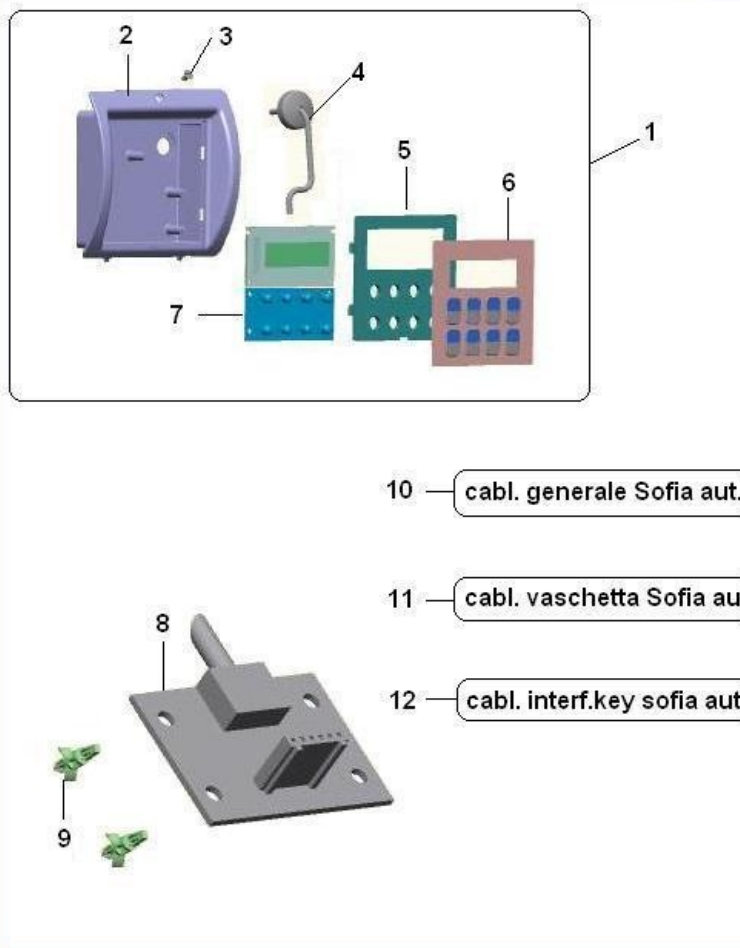
ASSEMBLY ELECTRICAL BOX (838)



ASSEMBLY ELECTRICAL BOX (838) - Item detail:

Position	Code	Options	Description
1	94034010		SOPHIA AUTOM. SWITCH BOX
2	34102826		Brass nut 4MA7
3	35160326		tooth washer D. 4,2IX
4	35155226		plain washerODE
5	32060616		4MAx12 screw
6	34115316		M4 nut with washerODE
7	23038816		BVM plugs assyer
8	34102716		M3 hexagonal nut
9	33071926		Metal spacer M/F/ M3L.
10	32025116		TC 3MAx5 screw
11	26048356-01		switch powersupply24V120W/360W
12	30053411		iris voltage safety stiker110v
13	30077911		ground plate pegasor
14	26026326		net filter quick connection with cable
15	23014926-01		12,5A fuseable
16	23017316		6.3x32 snap-type fuse holderable
17	26052916		MASTER BOARD SOFIA AUT
18	33065726		4M nut for board spacerODE
19	33065526		L=10 card spacerODE
20	05195216		board spacer6
21	01863011-01		SOPHIA SWITCH BOX
22	32055726		allen screw 4max*20
23	33072046		PLASTIC SPACER M/F M3 L.7,9

KEYBOARD - INTERFACE BOARD - CABLES (847)



KEYBOARD - INTERFACE BOARD - CABLES (847) - Item detail:

Position	Code	Options	Description
1	05250610		AUT.SOPHIA KEYPAD DISPLAY ASSY
2	05250215M09		display/keyboard mask sofia
3	32070336		TSP4MAX8 screw
4	22189312		keyboard/display cable sofia
5	05254015M09		display/keyboard cover sofia
7	26053016		DISPLAY/KEYB BOARD SOFIA AUT
8	26056016		interface key board
9	05195216		board spacer6
10	22185712-01		general wiring sofia aut
11	22183632		tray cable sofia automat
12	22189412		interface key cable sofia aut

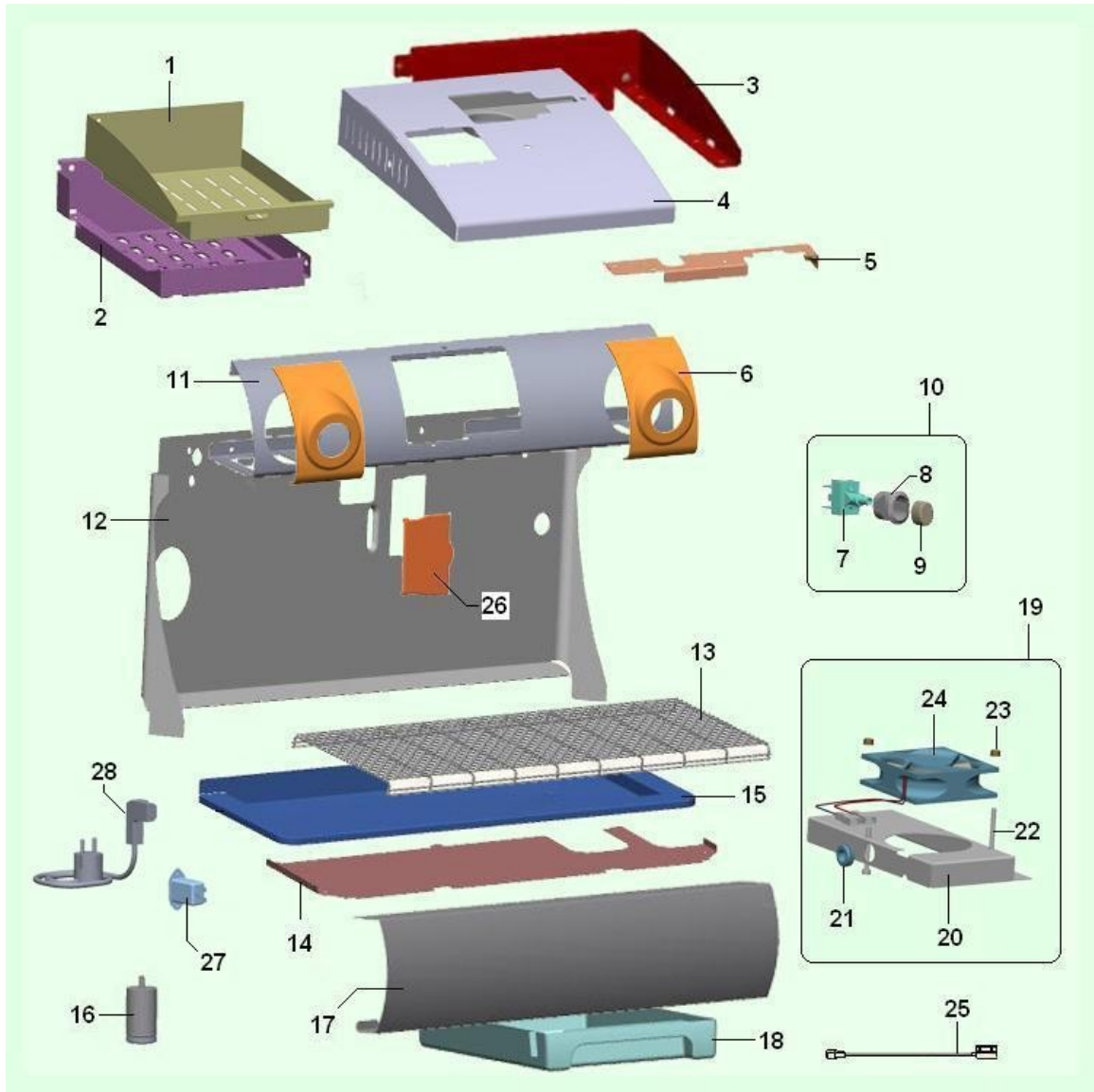
Group charts

 **BV 351 - SOFIA SUPER AUTOMATICA**
 **BV351E1G03AR - SOFIA 1GB AUTOBVG**

Group charts



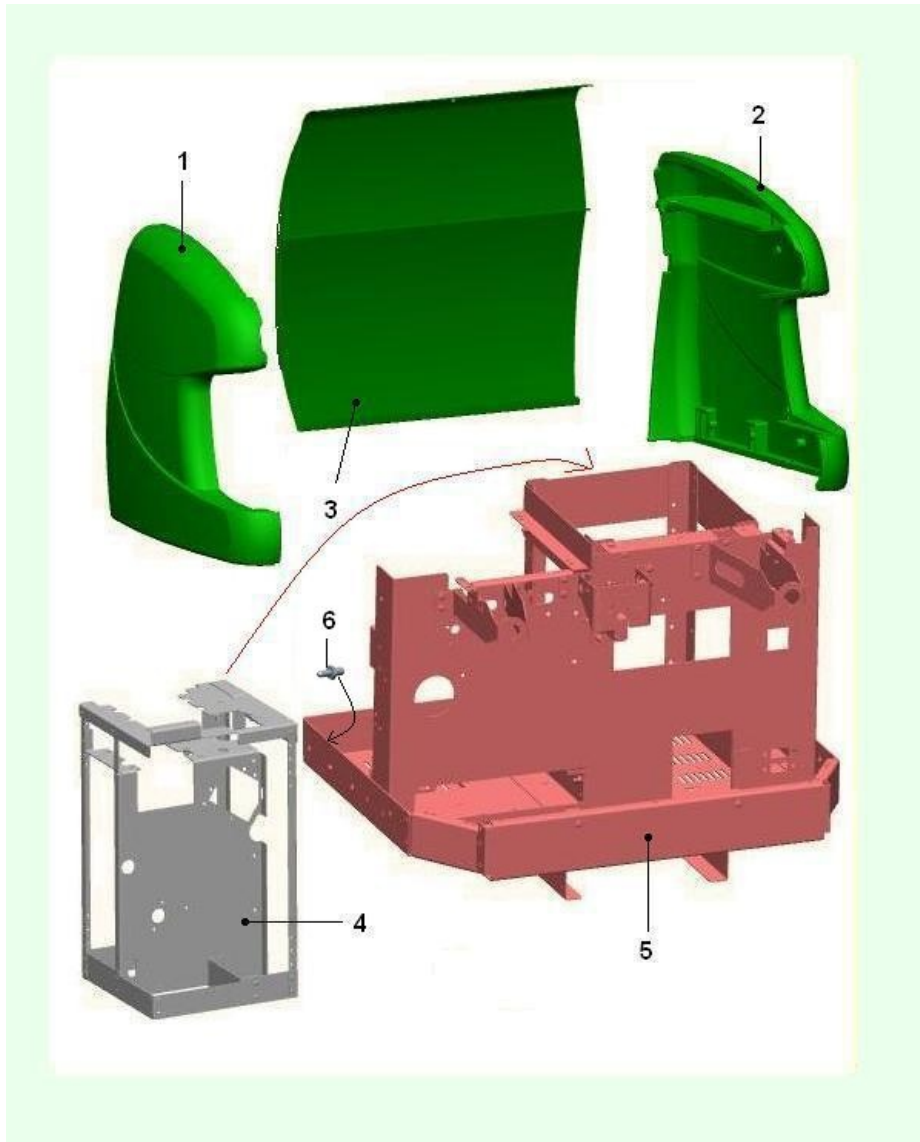
PARTS OF COMPLETION (1282)



PARTS OF COMPLETION (1282) - Item detail:

Position	Code	Options	Description
1	06026912		cupsrest assy sof 1gr BV351
2	06026812		cupsrest lower assy sof 1gr
3	01865212-01		right backside roof assy BV351
4	01898212		Aut. Sophia cube carter assy
6	05257315		Preformed tab GEM
7	26053516		16/A 250V bipolar switch GEM
8	05256615		DY chromium-plated oval supp. GEM
9	05256715		Black oval DY button GEM
10	43052810		Bipolar switch w/supp+button GEM
11	06026712		control mask assy sof1gr Bv351
12	01861811		Cups background
13	01862211		Automatic Sophia cups support
14	01899311		Aut.Sophia maint.lower carter
15	01864812		Drops collection tray
16	21058241		chromed coffe machine foot D50
17	01862711		Cups grid lower cover
18	05250115-01M09		AUT.SOPHIA WASTE COFFEE TRAY
19	01927910		Sofia Automatic fan assy
20	01927811		support for fan sofia aut
21	23004046		cable feederable
22	32068316		TCEI 4MAx35 screw
23	34115316		M4 nut with washerODE
24	20019436		FP-108D/DC24V S1 3200G fan
25	24021616		Level sensor reed
26	05155715-01M09		plug for motor service opening
28	22107216-01		230VNet cable C2000/Sprint/Iris

FRAME AND EXTERNAL COVER (833)



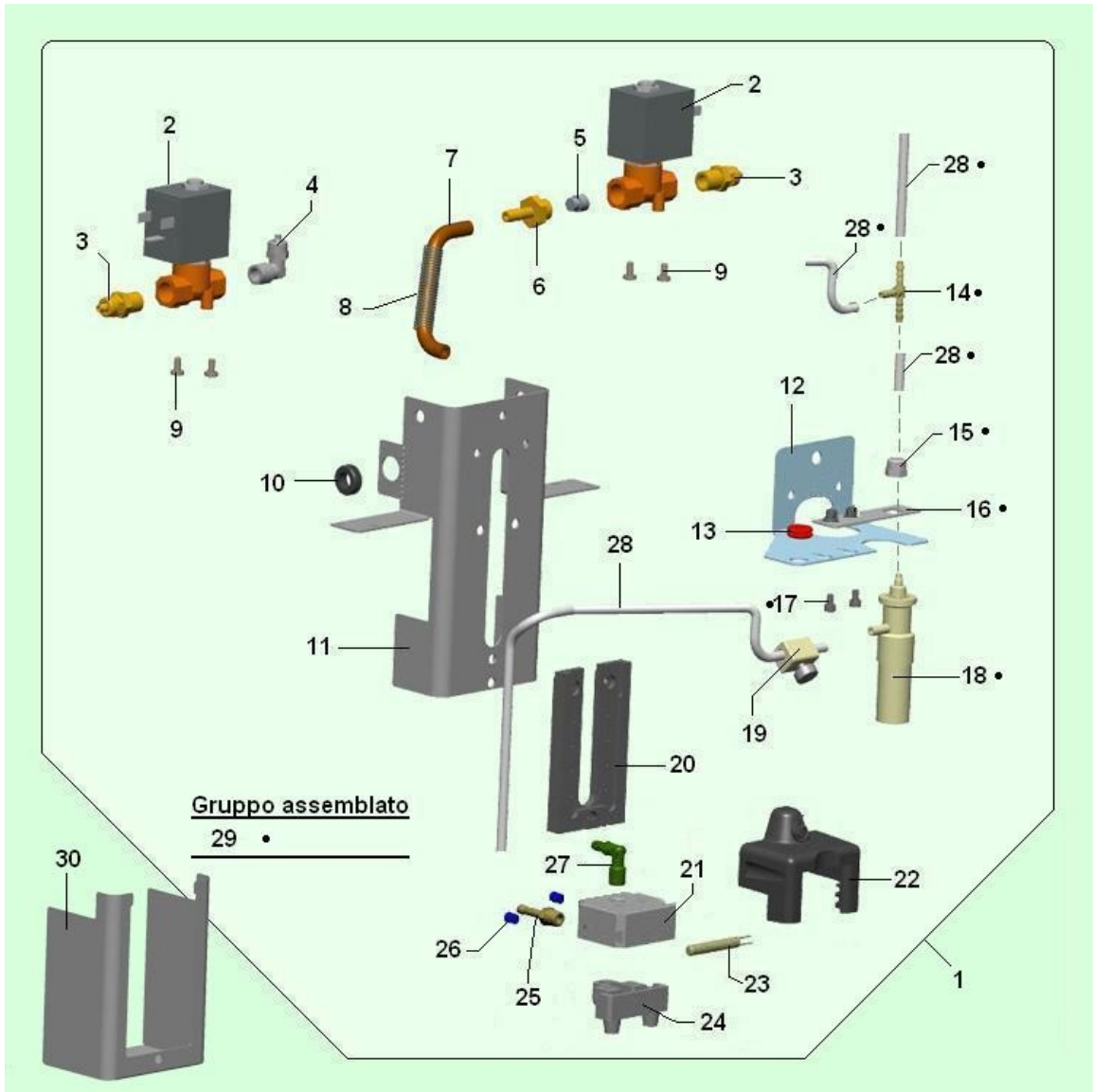
FRAME AND EXTERNAL COVER (833) - Item detail:

Position	Code	Options	Description
1	05253110		left flank assy sofia silver
2	05253210		right flank assy sofia silver
3	01890812		Aut.Sophia back assy
4	01865512-01		Autom.Sophia maintenance cube
5	01864712-02		metal structure/frame BV351 1g
6	19117016-01		BVM952 roof pin

Group charts



ASSEMBLY BREWING GROUP BV351 (1280)



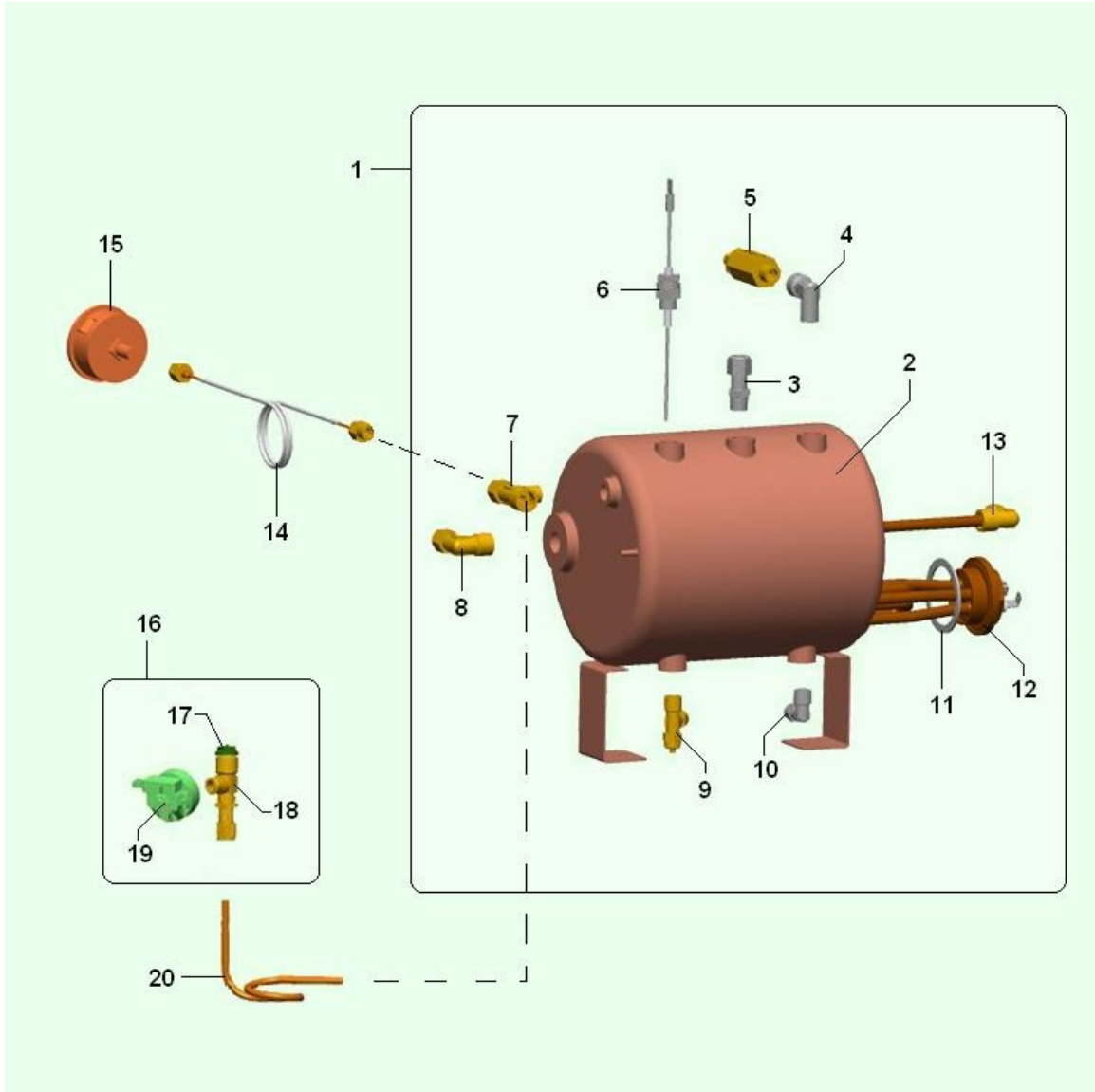
ASSEMBLY BREWING GROUP BV351 (1280) - Item detail:

Position	Code	Options	Description
2	25012146		24 v DC 2-ways electrovalverubber holder
3	04058726		1/4M straight connect.-6/4pipe
4	04041326		connection 1/4 M - pipe 6/4
5	05081555M37		BROWN NOZZLE 0,8MM HOLE
6	04041126		Ø 3 rubber holder 1/8
7	09087823-02		brown sez silicon pipe 5x9
8	07017711		tea serpent. spring-971
9	32060416		4MAx8 screw
10	23004046		cable feederable
11	01861311-01		nozzle/el.val support BV351
12	01877711-01		mixer support BV351
13	23004086		cable damper(6*15 - rubber)able
14	05297116		T4 junction
15	04068416		D=6 pipe blocking nut
16	06011512		milk frother support assy
17	32065336		4*10 IX screw
18	43145310		milkfrother + injector assembl
19	19125110		flow meter assembly
20	05262115M09		nozzle guide sofia aut
21	13010111		SOPHIA UPPER NOZZLE INGOT
22	05262215M09		nozzle protection sofia aut
23	29002442		Heating cartridge15W 24Vw/fast
24	13010211		SOPHIA LOWER NOZZLE INGOT
25	04041116		Ø 3 rubber holder 1/84 DM7,5
26	21058616		positioner stainless steel
27	04036136		elbow connection D.6-1/8M
28	09029733-01		4x6 transp. silicone pipe
29	25039110		milk frother assembly BV351
30	01867511		Nozzles guide carter

Group charts



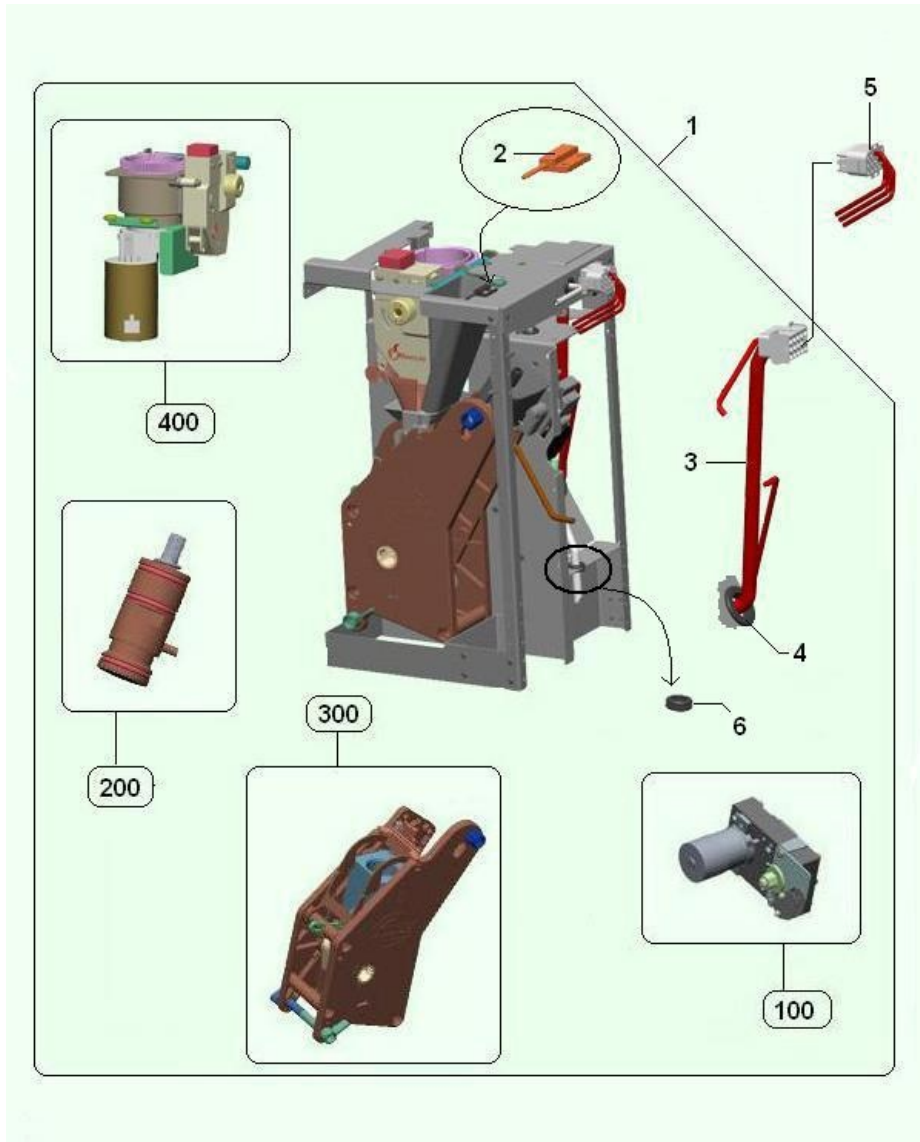
ASSEMBLY BOILER (1274)



ASSEMBLY BOILER (1274) - Item detail:

Position	Code	Options	Description
2	87011811		3,5lt boiler sofia autom
3	04035436		1/4M connection-pipe Ø 8 w/nut
4	04056316		1/4 M/F L joint GEM
5	04056726		1/4M cal. 2.2 BAR safety valve
6	26053116		level probe 1/4M 7786/A olab
7	04059516		T junction1/4F-1/4M pipe 8 nut
8	04035366		curved junction 3/8"M tube+nut
9	04058816		1/4M later-2 T pipe 6/4
10	04041326		connection 1/4 M - pipe 6/4
11	36361416		Resistance teflon gasket GEM
13	04054812		Sofia boiler primer assy
14	25038126		COPPER CAPIL. 1x2x850 RIV.PVC
15	25034816-01		pressure gauge d50 0:3BAR G1/8
16	25035710		pressure switch assy sofia aut
17	04056826		valve 1/4M CIL 7676/B
18	04059016		1/4F-1/8F central T junction
19	25033916		1/8-REG 0.8-2- PRESSURE SWITCH
20	09102611		copper pipe 8*6 450mm manostat

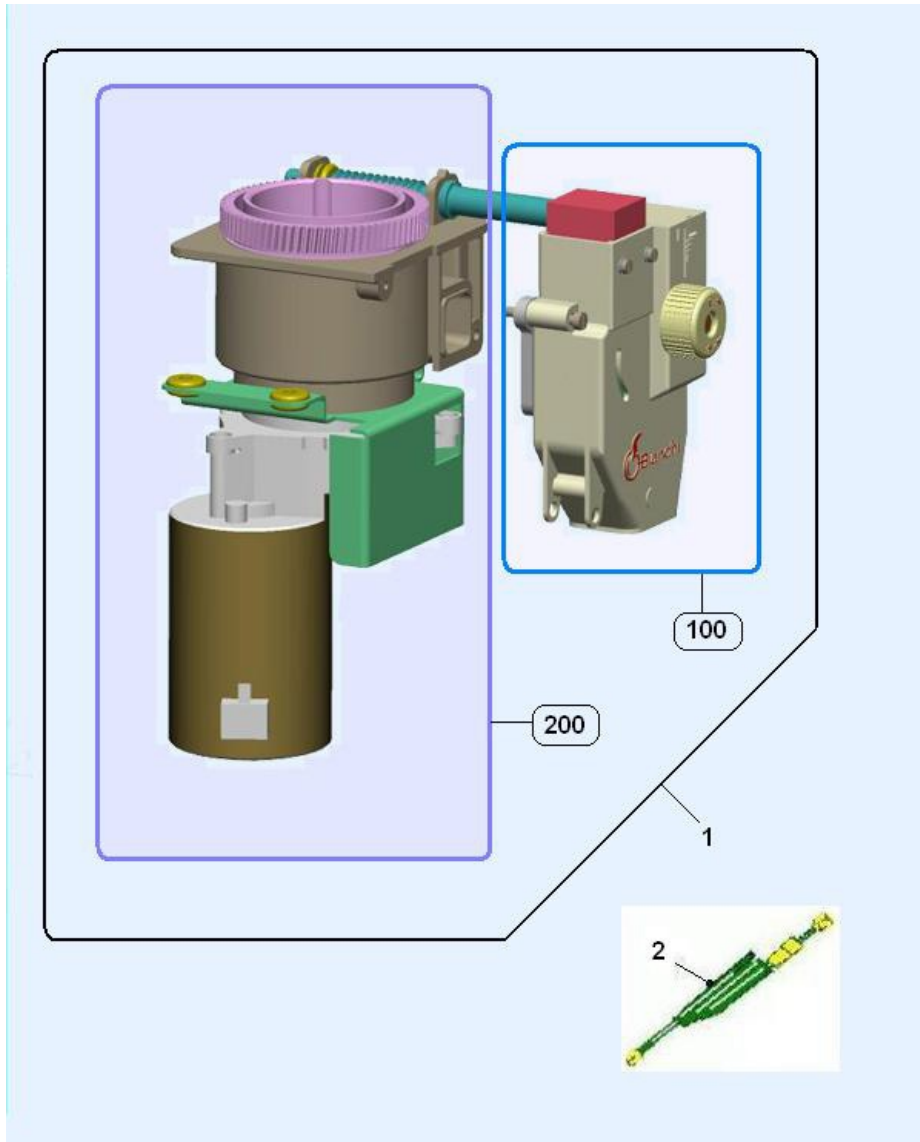
ASSEMBLY MAINTENANCE CUBE (1275)



ASSEMBLY MAINTENANCE CUBE (1275) - Item detail:

Position	Code	Options	Description
1	01865420-01M37		Sophia 1GR maintenance cube
2	24021616		Level sensor reed
3	22185812		coffee group cable sofia aut
4	23004076		cable feederable
5	22185712-01		general wiring sofia aut
6	23004046		cable feederable
100	925		GEARMOTOR COFFEE GROUP (483)
200	1697		ASSEMBLY PISTON (834)
300	2478		COFFEE GROUP - SOLENOID 3WAYS (1277)
400	2477		ASSEMBLY GRINDER-DOSER (1276)

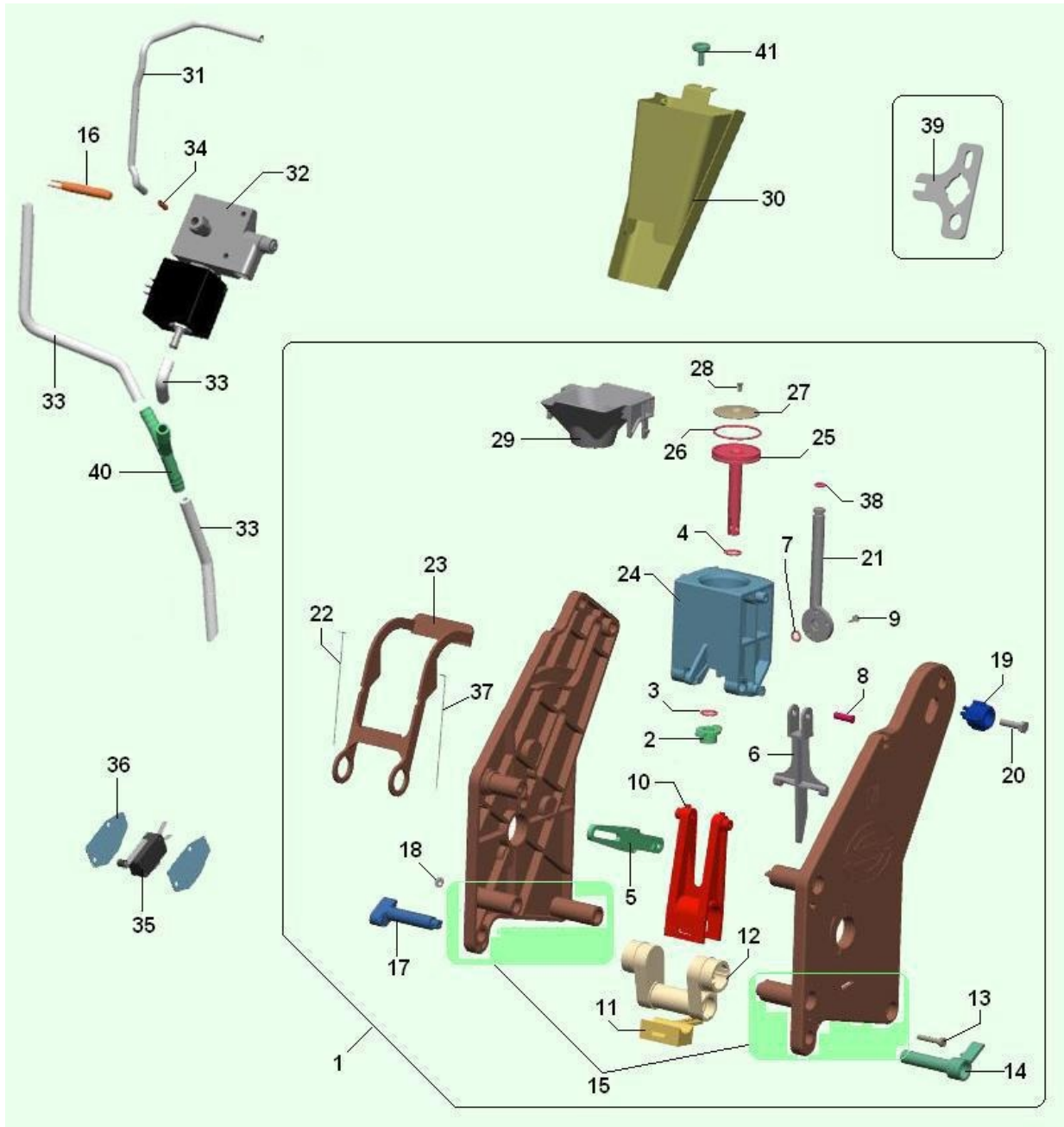
ASSEMBLY GRINDER-DOSER (1276)



ASSEMBLY GRINDER-DOSER (1276) - Item detail:

Position	Code	Options	Description
1	96057610-02		ametek 12teeth grinder+doser
2	22126622		AMETEK FAST 4,8 grinder motor protection
100	1698		DOSER COFFEE (837)
200	246		ASSEMBLY GRINDER VERTICAL ENGINE (29)

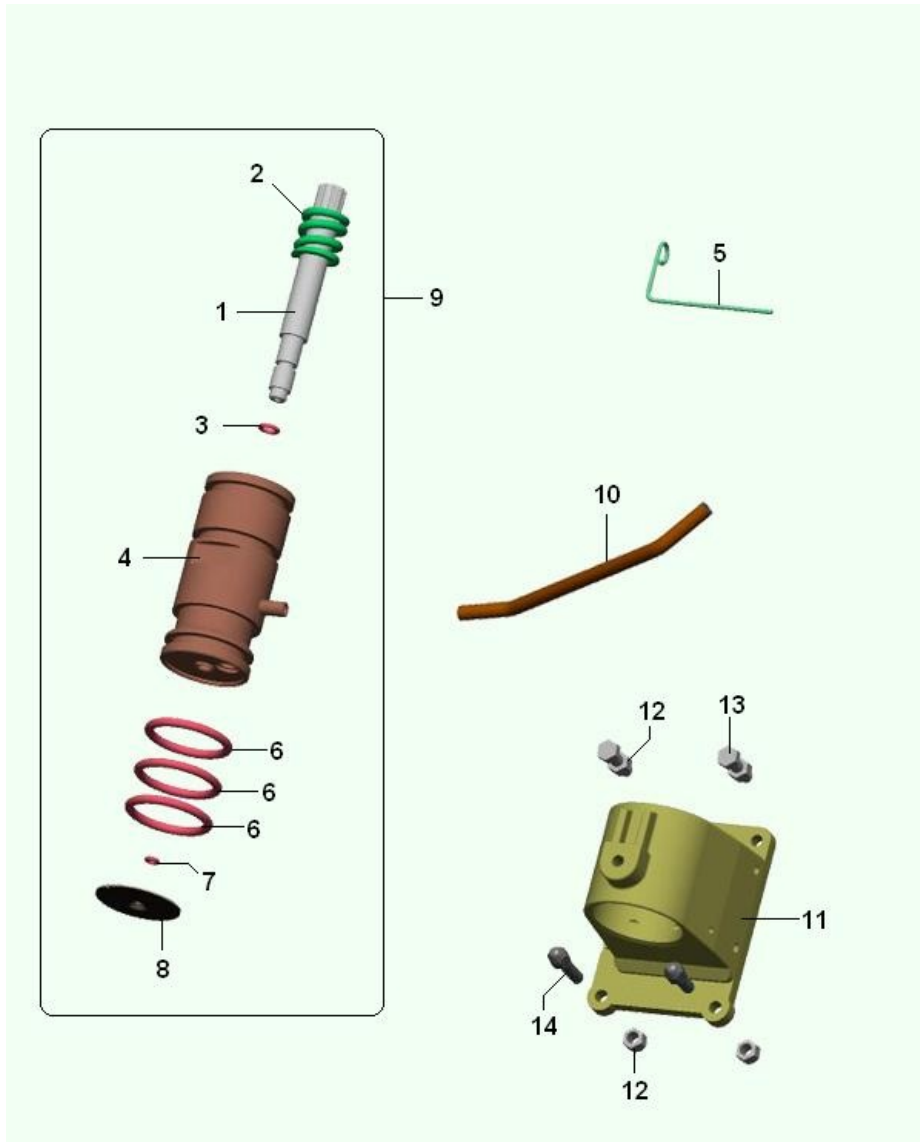
COFFEE GROUP - SOLENOID 3WAYS (1277)



COFFEE GROUP - SOLENOID 3WAYS (1277) - Item detail:

Position	Code	Options	Description
1	95007430-03		plastic coffee group w/funnel
2	05106715		bush cupt.
3	36211916		OR 2037 gasketODE
4	36212716		Joint 3037 SH70 VITON
5	05107415		drive rodt.
6	05148315		rod liftert.
7	36210916		OR2021 gasketODE
8	05107515		rivett.
9	32222827		Blunt self-threaded screw 2,9x9,5
10	05107115		connecting rodt.
11	05107215		brackett.
12	05107615		crankt.
13	32060936		TC 4MAx20 screw
14	05107815		locking levert.
15	43123910-01		front/rear shoulder assembly
16	29002432		Heating cartridge30W 230Vw/fas
17	05107915		locking rodt.
18	34102836		4MA nut hexagonal
19	05109515		Knobrame
20	32090636		TE 5MAx18 screwank
21	05106815-01		tube for cupt.
22	07017911		right spatula spring-971
23	05107015		spatulat.
24	05106615-01		cupt.
25	05161225		waste coffee 2holes eject rod
26	36363116		Joint 2118 SH70 VITON
27	16012021		coffee group filterer
28	32035236		TSP 3MAx16 IX screw
29	05253815M09		coffee group funnel BVM333
30	01865612		Metallic powder slide
31	09085423		4x6 teflon pipe581
32	25032811-01		3-ways electrovalv. 24V DC
33	09029763-01		5x9 transparent silicone pipe
34	19004326		reinforcing bushgroup
35	26005136		microswitch with wheelm
36	08004111		microswitch insulationr spring
37	07017921		left spatula spring-971
38	36351316		o-ring for cooffe group pipeODE
39	01475411-01		Coffee group rotation key
40	05240015M00		3ways connector 9mm ext.
41	19043521		fixing knobgroup

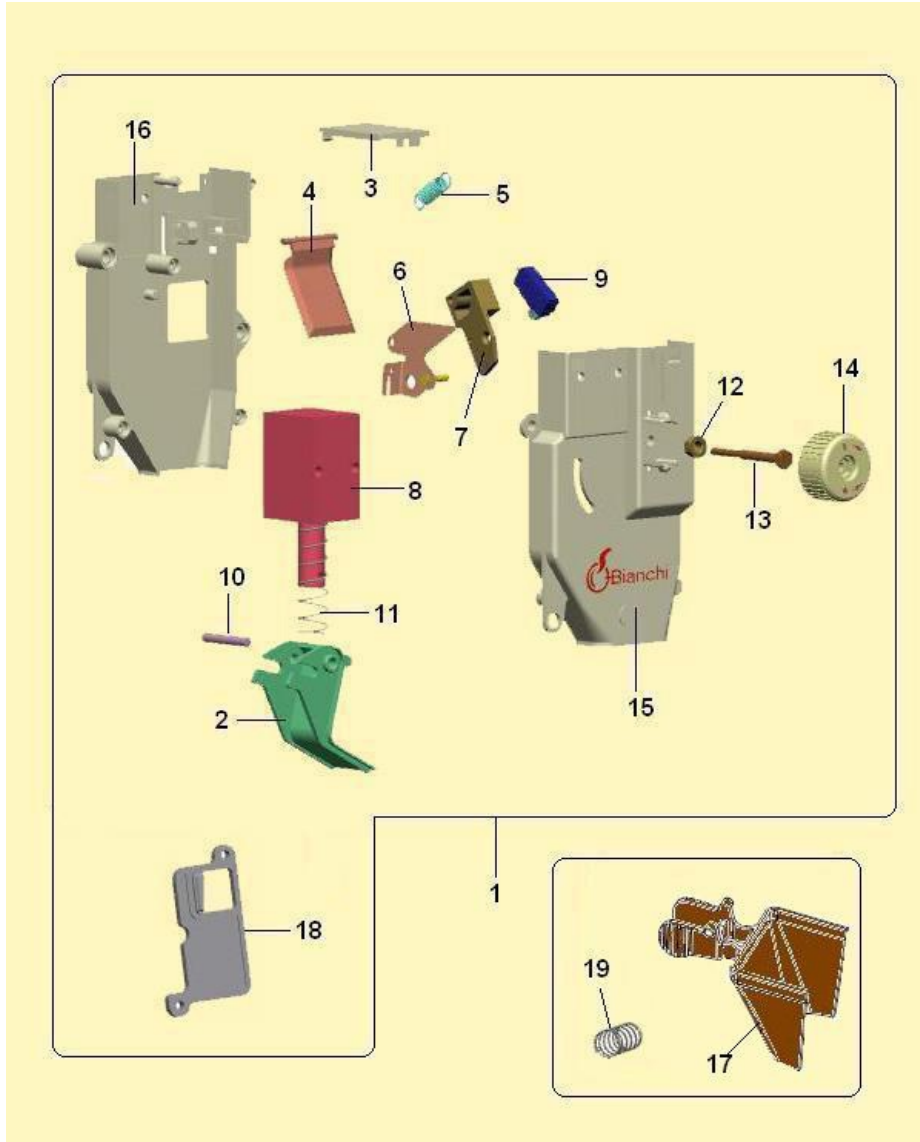
ASSEMBLY PISTON (834)



ASSEMBLY PISTON (834) - Item detail:

Position	Code	Options	Description
1	05107725		piston filter knobt.
2	07017611-01		piston spring
3	36210916		OR2021 gasketODE
4	05148032-01		Piston with valve seat
5	07017511		piston block rod-971
6	36211816		OR4112 gasketODE
7	36212116		OR2010 gasketODE
8	16014812		filter assyer
9	05138130-01		Cegasa coffee-gr. piston assy
10	09087873-02		3x6 brown silicone pipe
11	13010311		piston holder
12	34110316		Self-locking nut 5MA7

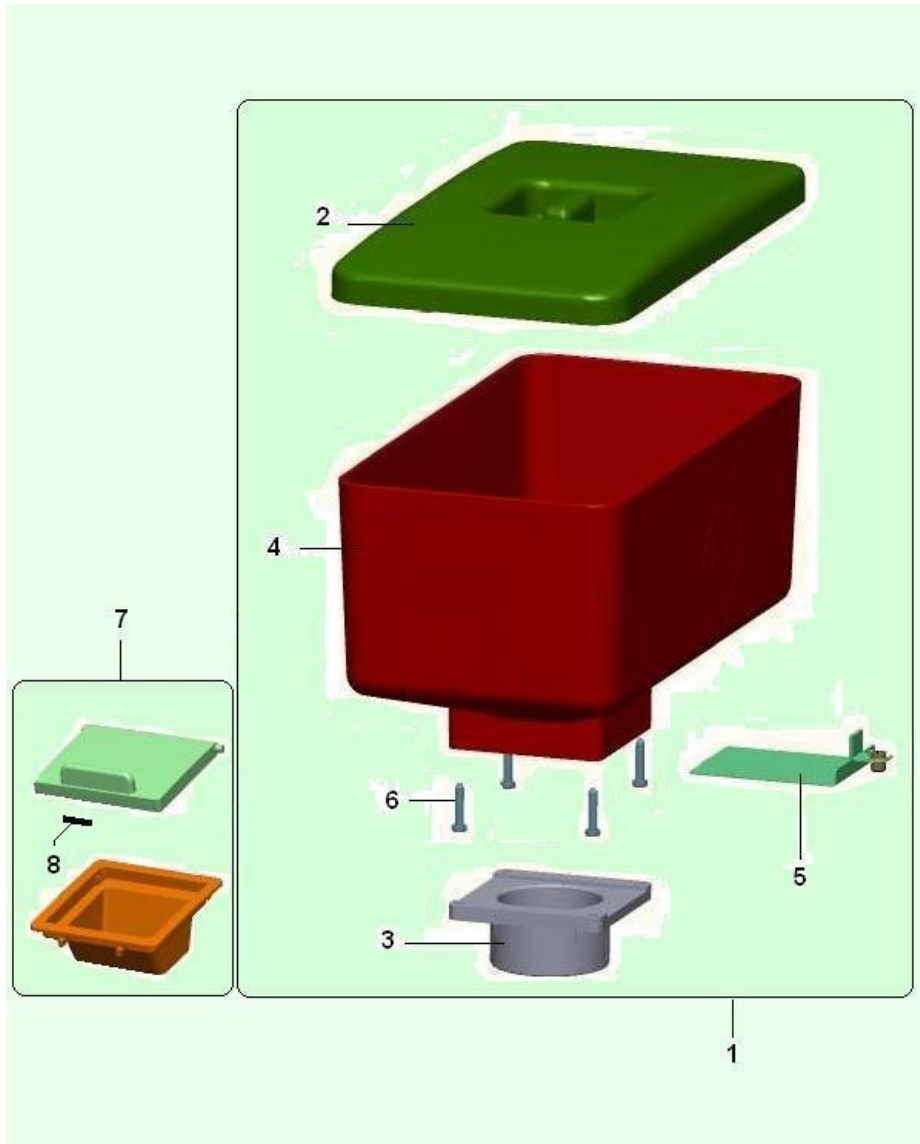
DOSER COFFEE (837)



DOSER COFFEE (837) - Item detail:

Position	Code	Options	Description
1	43002410-02		doser assy with spacer
2	05135115-01		coffee doser tray
3	05135025		top cover for doserwn) C2000
4	05135315		coffee doser mobile wallwn) C2000
5	07020611		spring-971
6	01586212-02		MICRO SUPPORT
7	05154615		micro. coffee-dos. supporty grate(graph.)
8	20019146-01		magnet 5% 24v dcb.shaft
9	26029616		microswitch with cable(proof)7
10	33051716		4x25 IX parallel pin
11	07020511-01		magnet spring-971
12	34115316		M4 nut with washerODE
13	19058911		adjusting screw for microew
14	05135215		dose adjustment knobwn) C2000
15	05134815		Doser front coverwn) C2000
16	05134925		Doser rear coverwn) C2000
17	05135435M37		coffee funnel sofia autom.
18	05155615-01		spacer
19	07020911		coffee funnel spring-971

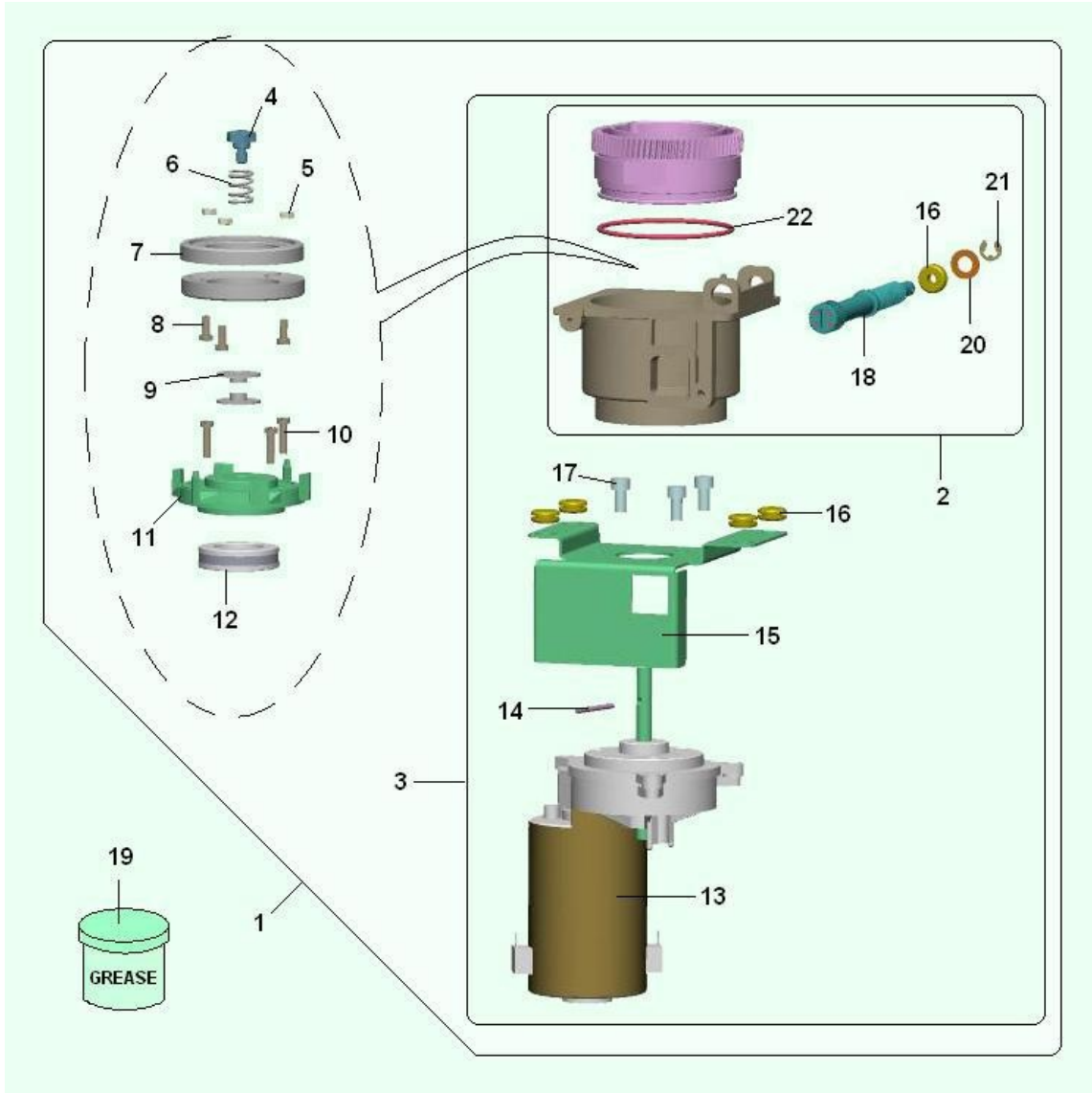
COFFEE BEAN HOPPER COFFEE - CHUTE DEC. (845)



COFFEE BEAN HOPPER COFFEE - CHUTE DEC. (845) - Item detail:

Position	Code	Options	Description
1	05250510		COFFEE BOX AUT. SOPHIA
2	05249915M09		AUT.SOPHIA COFF.BOX BLAC.COVER
3	00112050		flange for feedbox
4	05249715M00		beans container sofia aut
5	43145510		SOFIA waste coffee bulkhead
6	32010736		4,0X20 UNI9707 tapping screw
7	43067110-01		Autom.Sophia door+slide dek
8	24021516		3x5x15 sensor magnet

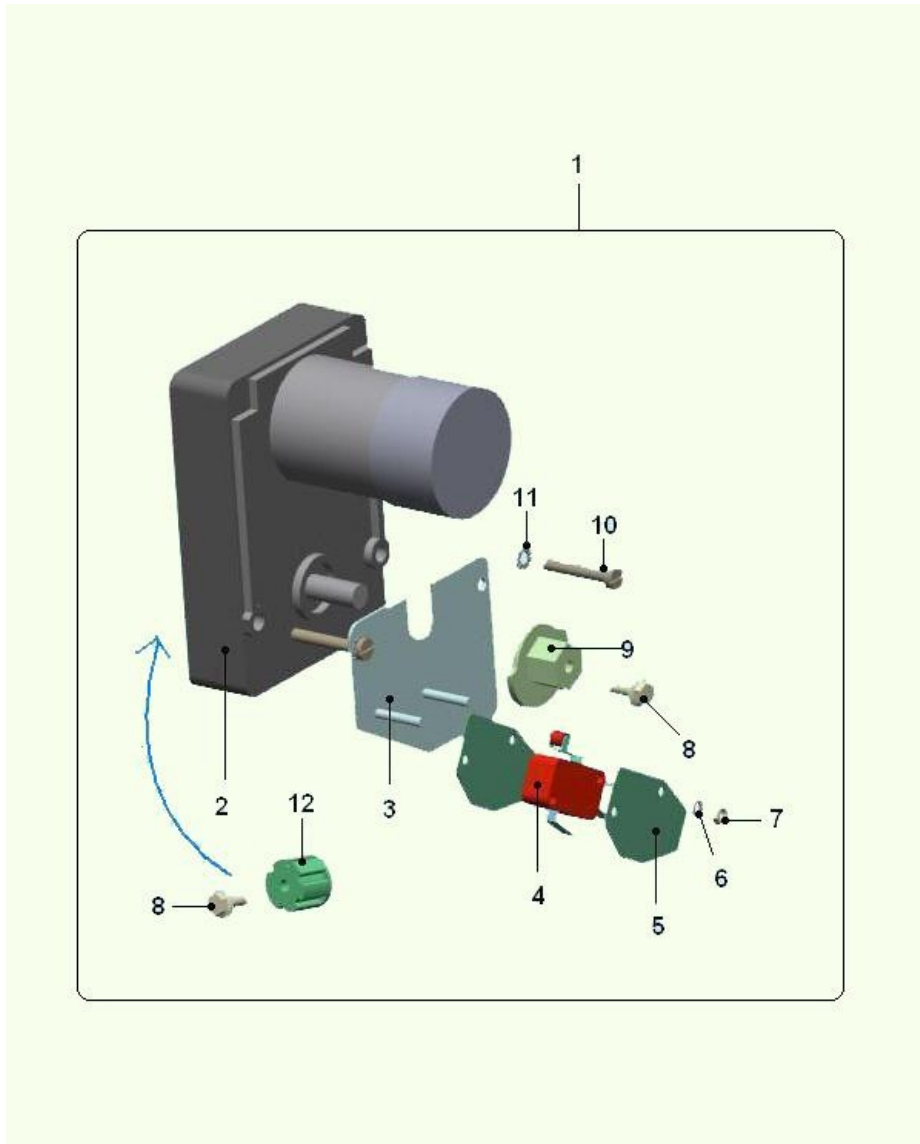
ASSEMBLY GRINDER VERTICAL ENGINE (29)



ASSEMBLY GRINDER VERTICAL ENGINE (29) - Item detail:

Position	Code	Options	Description
1	86001310-03		ametek grinder assy
2	43018910-01		grinder chamber assy w/knob
3	41038520		new grinder assy 24VDC ametekODE
4	19059021		screw for ametek springew
5	34102816		4MA hex nutODE
6	07020411		grinder holder spring-971
7	18007326		D=64 grinder blade 12teeth
8	32060516		4MAx10 screw
9	19060411		bush with washerew
10	32060836		Cross headed screw 4MA*16 IX
11	13008211-02		mobile blade support
12	19059216		bearingew
13	20020616		24VDC grinder Ametek gearmotor
14	12017411		wire D30x30er
15	01586921		Grinder Ametek support
16	23004086		cable damper(6*15 - rubber)able
17	32135316		MA6X12 cross-headed embedded hexagon Zn screw
18	05134715		grinder adjustment screwwn) C2000
19	43028311		40g food grease
20	35168826		flat washer D.8,4*15,5*1,2
21	37001116		Ø 6 seeger ring
22	36211316		O-ring 3262 NBR 70 SHODE

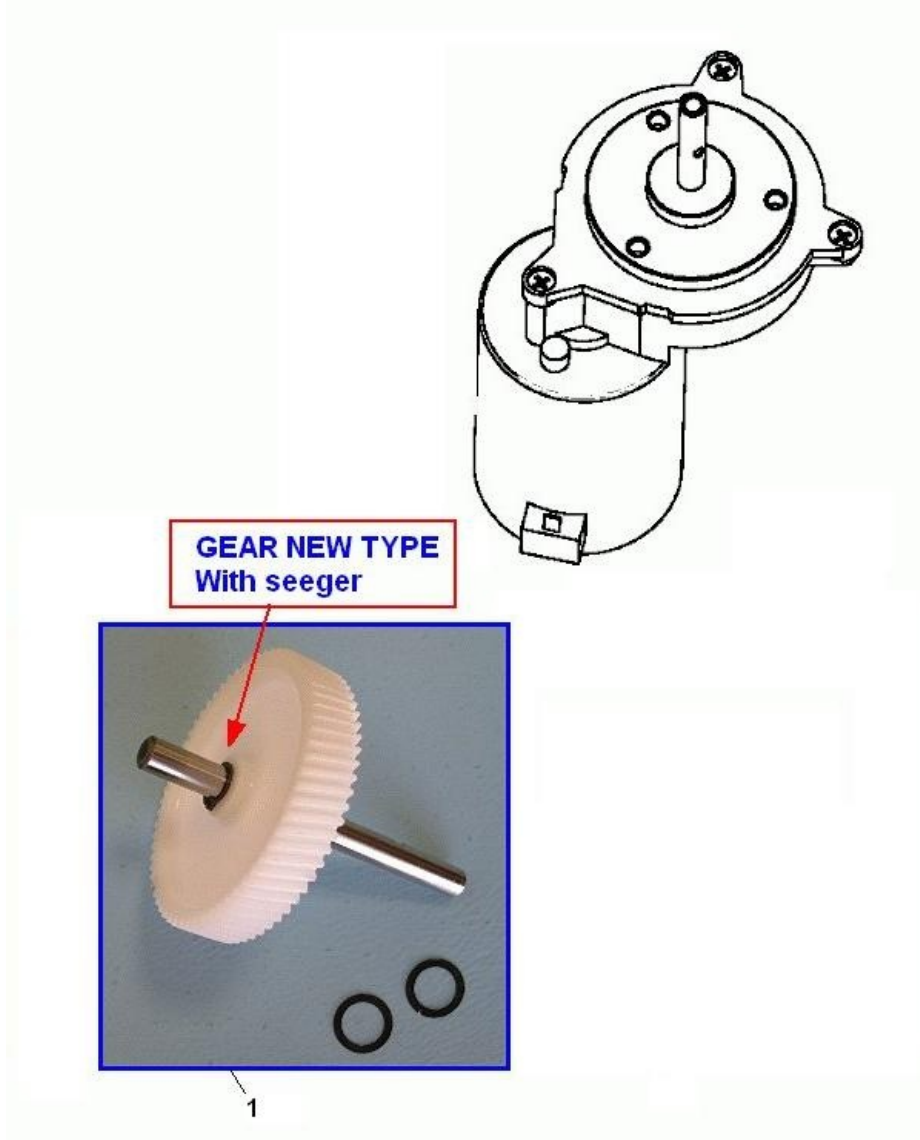
GEARMOTOR COFFEE GROUP (483)



GEARMOTOR COFFEE GROUP (483) - Item detail:

Position	Code	Options	Description
1	20016810-03		Motor assy w/24V cable coffee group
2	20014946-02		24VDC12rpm cof.group gearmotor w/out cable
3	01484212		bracket for microion plate
4	26005126		microswitch with wheel
5	08004111		microswitch insulationr spring
6	35160216		self-locking diam.3.2
7	34102716		M3 hexagonal nut
8	32050516		screw 4 MAX10
9	05110915-01M09		black rotating group cam
10	32061016		4M x 25 screw
11	35160316		d. 4,2 IX self locking washer
12	41081216		

GRINDER VERT. - GEAR (336)



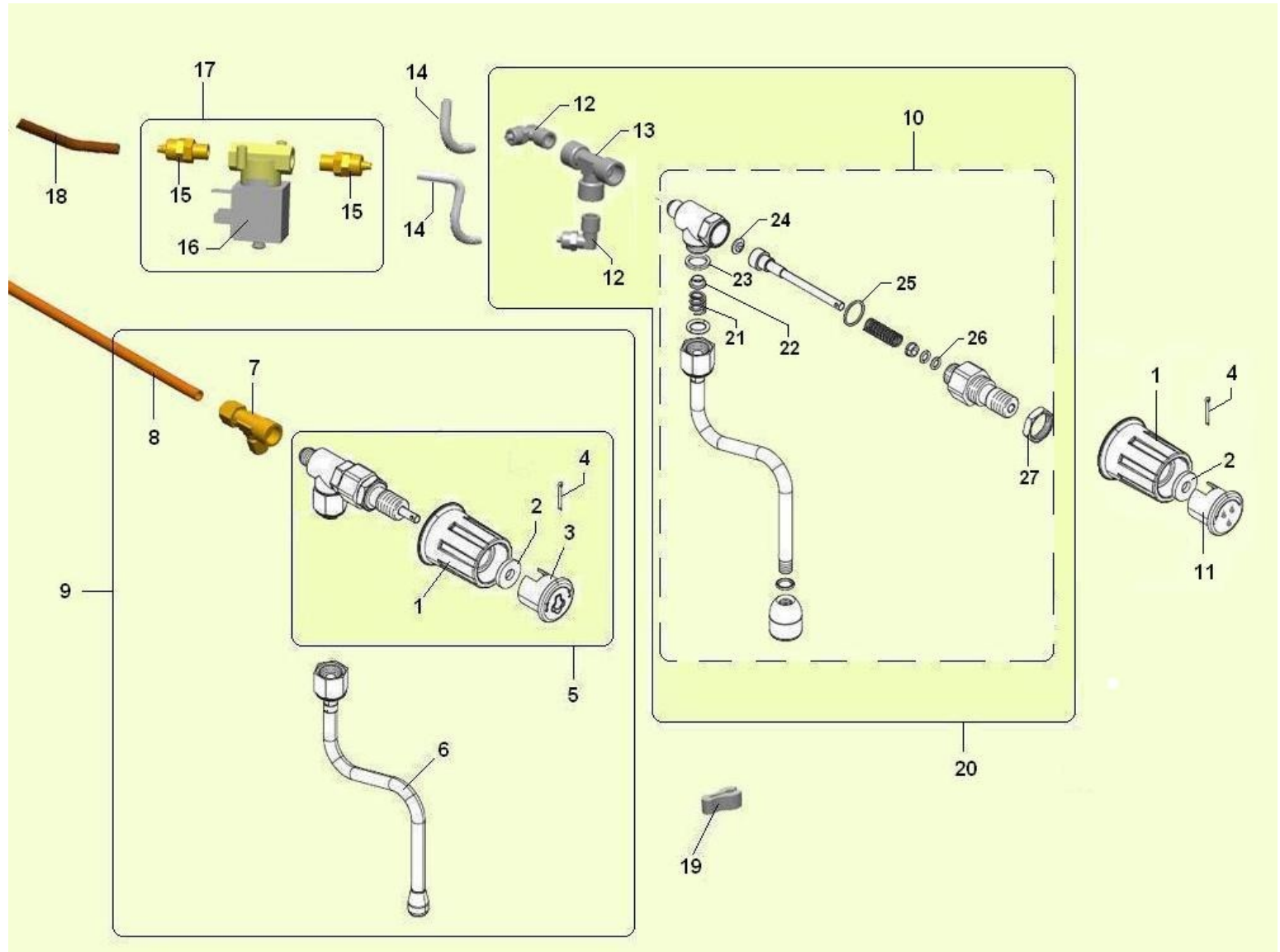
GRINDER VERT. - GEAR (336) - Item detail:

Position	Code	Options	Description
1	43002726		gearing with pivot for ametekmetek

Group charts



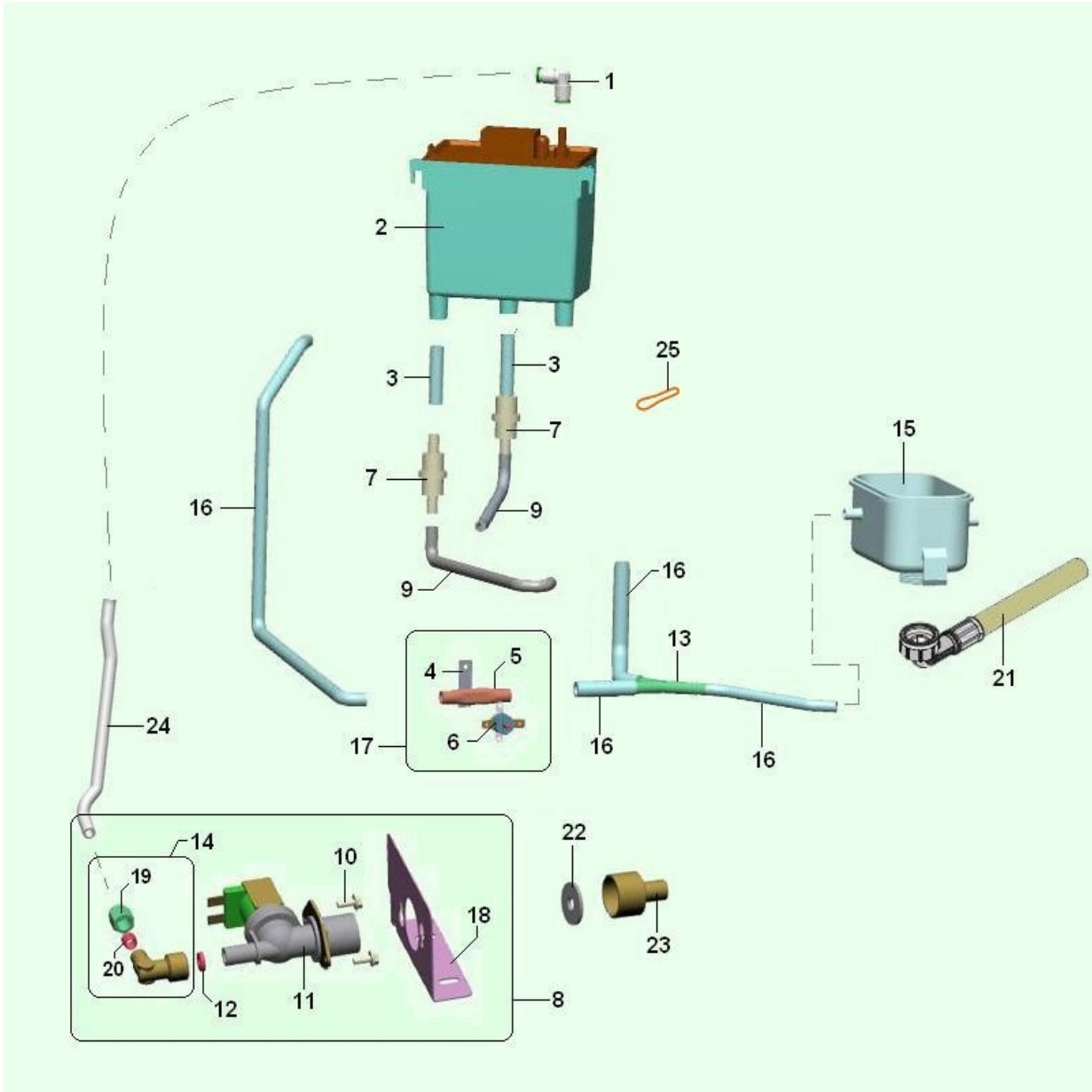
TAP STEAM / WATER (1278)



TAP STEAM / WATER (1278) - Item detail:

Position	Code	Options	Description
1	05276615		KNOB TAP WATER/STEAM
2	35158016		6,5X18X1,5 ZN plain washer
3	05276525		cap for steam tap knob
4	33057626		SPLIT PIN D. 1.5x15 STAINLESS
5	04055916		Water steam body tap GEM
6	04060116		steam arm IX L.160
7	04059316		T junction 1/4F pipe 6 - pipe8
8	09102511		steam tube copper 8*6 L370
9	04060310-01		steam valve assy BV351
10	04055926-01		complete water valve assy
11	05276515		cap for water tap knob
12	04041326		connection 1/4 M - pipe 6/4
13	04059116		T connection 1/4F - 1/4F
14	09029733-01		4x6 transp. silicone pipe
15	04058716		1/4M straight connect.-6/4pipe
16	25038716		el.valv 2ways D.2,9 24DC
17	25039010		2ways el.valv. assy D2,9 24DC
18	09087823-02		brown sez silicon pipe 5x9
19	05257115		PLASTIC TONGS for STEAM WAND
20	04060210-01		water valve assy BV351
21	07034711		Water/steam/cap nozzle spring GEM
22	04058316		Water/steam nozz. spring slideGEM
23	18011011		21x16,8x2 PTFE teflon washer GEM
24	43057116		F062 gasket GEM
25	18002536		3/8" copper gasketer
26	43057216		5 gasket GEM
27	43128416		1/2 G lock nut

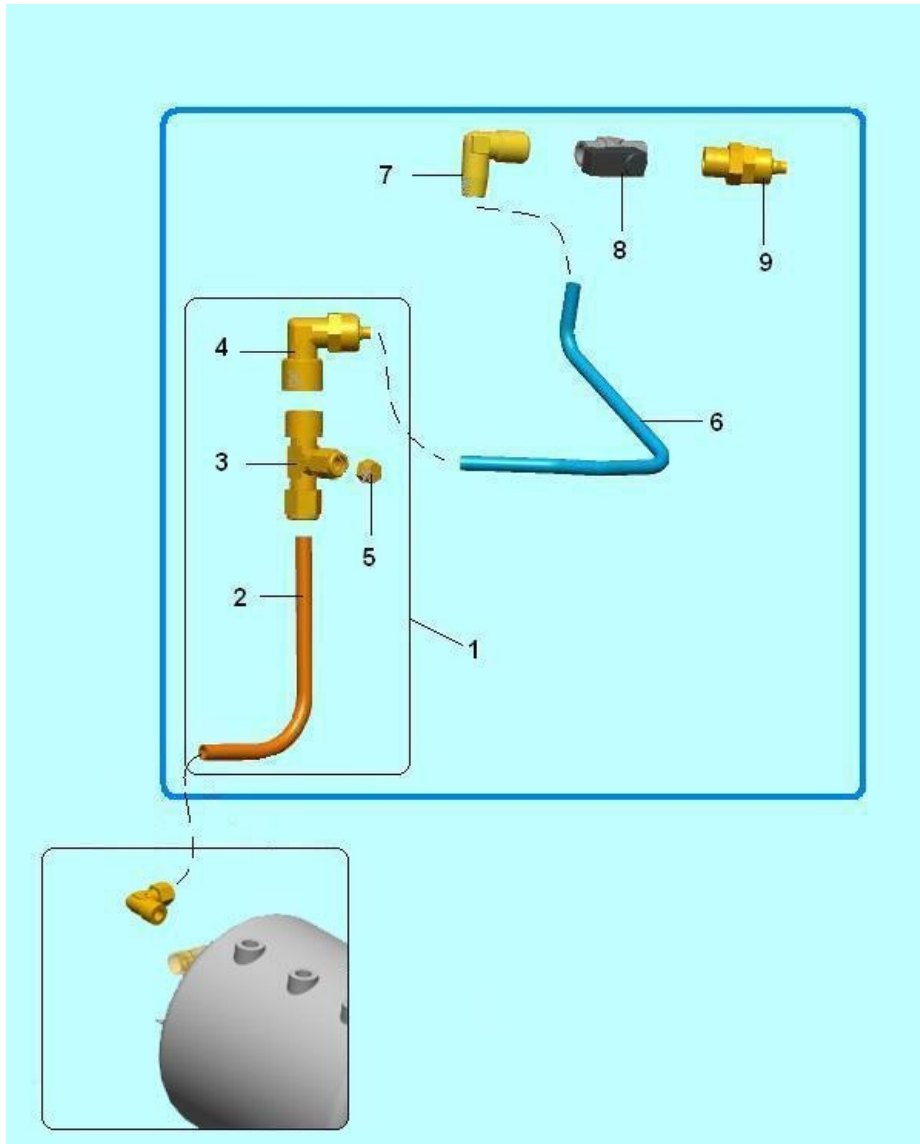
INPUT - OUTPUT WATER (1279)



INPUT - OUTPUT WATER (1279) - Item detail:

Position	Code	Options	Description
1	04041416		quick-release connection D=64 DM7,5
2	93012020		water tank (instant machine)mm
3	09087843-02		7x11 brown silicone pipe
4	01213411		clixon plate
5	09078221-01		CLIXON PIPE
6	25014936-01		clixon75°Crubber holder
7	16014316		water filterer
8	25032710		water entrance assy sof aut
9	09087823-02		brown sez silicon pipe 5x9
10	32050516		screw 4 Mx10
12	05111026		Silicon plain gaskett.frame silver
13	05240015M00		3ways connector 9mm ext.
14	04036846		elbow connection4 DM7,5
15	05262015-01M09		drain tank w/ hooks
16	09029753-01		8x12 silicone transp.pipe
17	25019620		clixon tube assy - 75°
18	01863811		water entrance plate H20
19	04035626		nut for elbow connectionGAS.A234
20	19046526		locking bushgroup
21	09105616-01		reinforc elbow drain pipe G3/4
22	05111016		Ø 25,5 silicone plain gaskett.frame silver
23	04000121		Straight connection 3/8 Gmassy
24	09085423		4x6 teflon pipe581
25	07010711		clapper-971

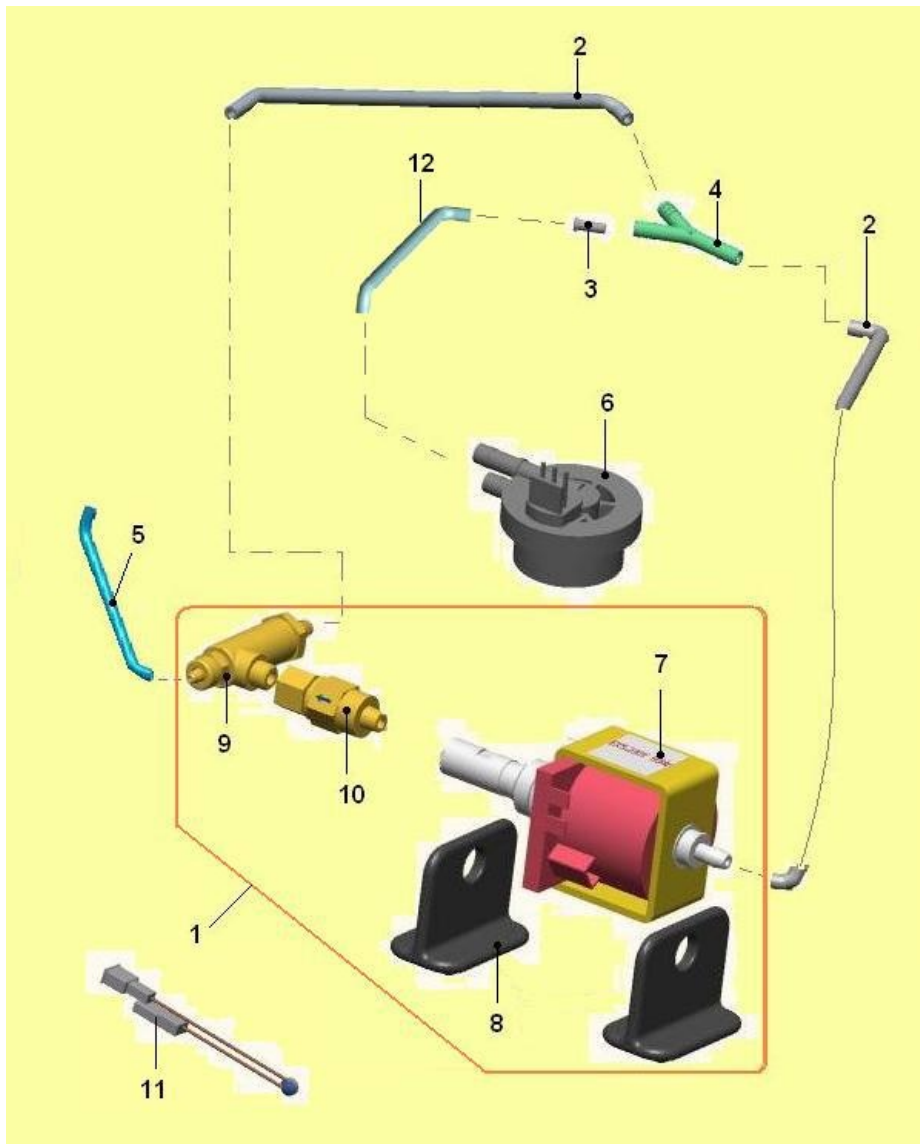
BOILER CONNECTION - MAINTENANCE CUBE (850)



BOILER CONNECTION - MAINTENANCE CUBE (850) - Item detail:

Position	Code	Options	Description
1	04060410		bypass pipe assembly sofia aut
2	09102411		copper pipe bypass injector
3	04059316		T junction 1/4F pipe 6 - pipe8
4	04041326		connection 1/4 M - pipe 6/4
5	04038816		1/8 blind female cap4 DM7,5
6	09085423		4x6 teflon pipe581
7	04031216		connection M/Fassy
8	04054716		Micro valve F/F 1/8
9	04058716		1/4M straight connect.-6/4pipe

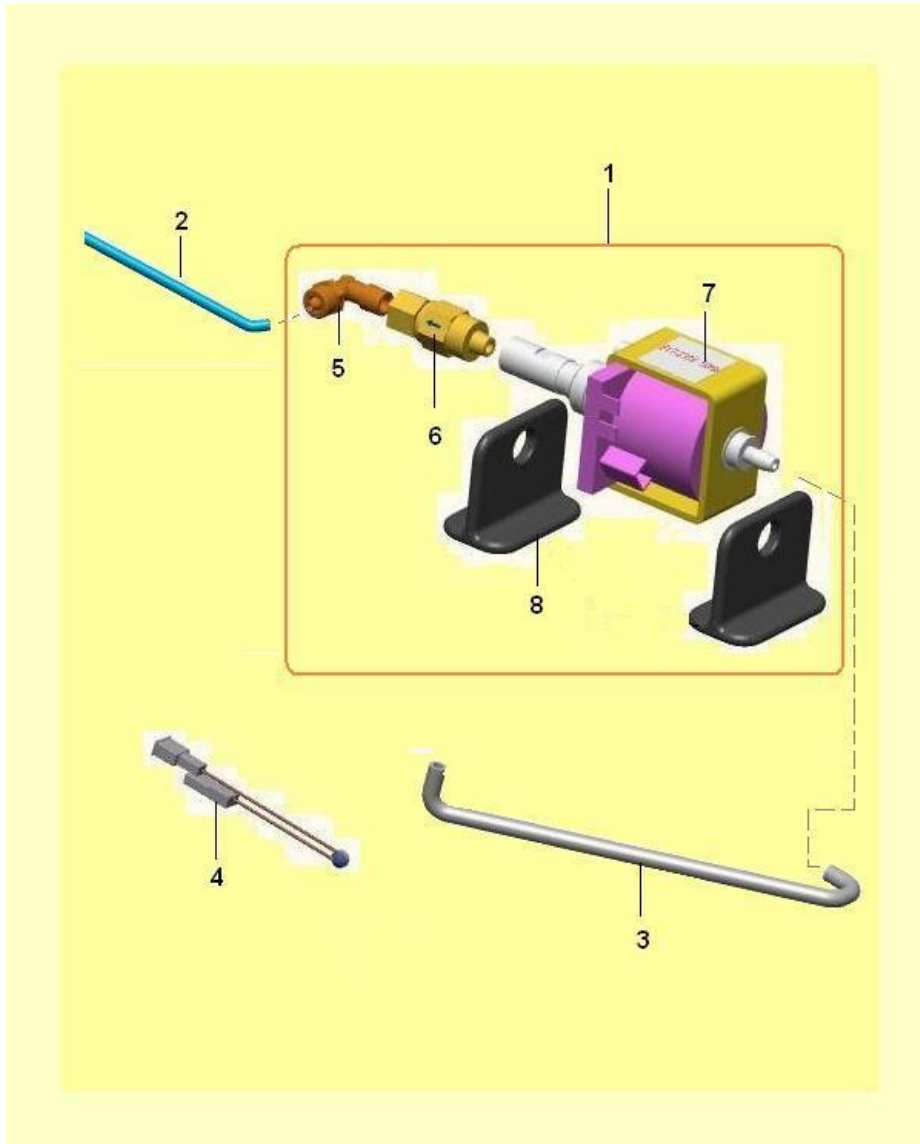
ASSEMBLY PUMP COFFEE - FLOW DETECTOR (843)



ASSEMBLY PUMP COFFEE - FLOW DETECTOR (843) - Item detail:

Position	Code	Options	Description
1	27011910		T coffee pump assy sofia aut
2	09087823-02		brown sez silicon pipe 5x9
3	05102225		brown mixing chambersy
3	05102215M57		mixer camber reductor black
4	05240015M00		3ways connector 9mm ext.
5	09085423		4x6 teflon pipe581
6	24012126		flow sensor entri diam 1,2
7	27003316		EX5 230V-50Hz Ulka electropumpy-pass
8	05259515M09		Pump support (ULKA/FLUIDOTECH)
9	04040916-01		11BAR PRO SAFETY VALVE
10	04041016		anti return valve male/female4 DM7,5
11	25022616-01		Clixon Microtherm F11 100°
12	09029763-01		5x9 transparent silicone pipe

ASSEMBLY PUMP WATER (844)



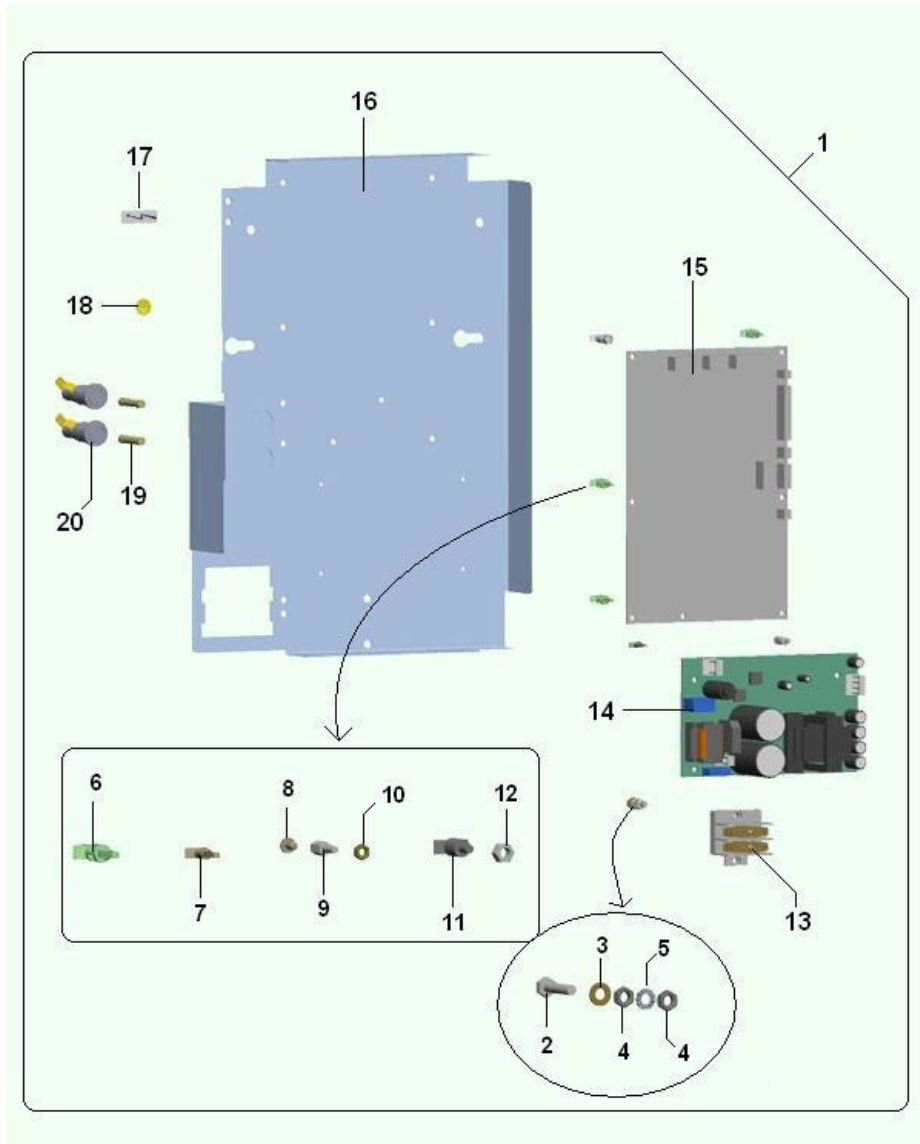
ASSEMBLY PUMP WATER (844) - Item detail:

Position	Code	Options	Description
1	27011810		water pump assembly sofia
2	09085423		4x6 teflon pipe581
3	09087823-02		brown sez silicon pipe 5x9
4	25022616-01		Clixon Microtherm F11 100°
5	04041316		connection 1/8 GM pipe 6/44 DM7,5
6	04041016		anti return valve male/female4 DM7,5
7	27003336		EX7 230V Ulka electropump
8	05259515M09		Pump support (ULKA/FLUIDOTECH)

Group charts



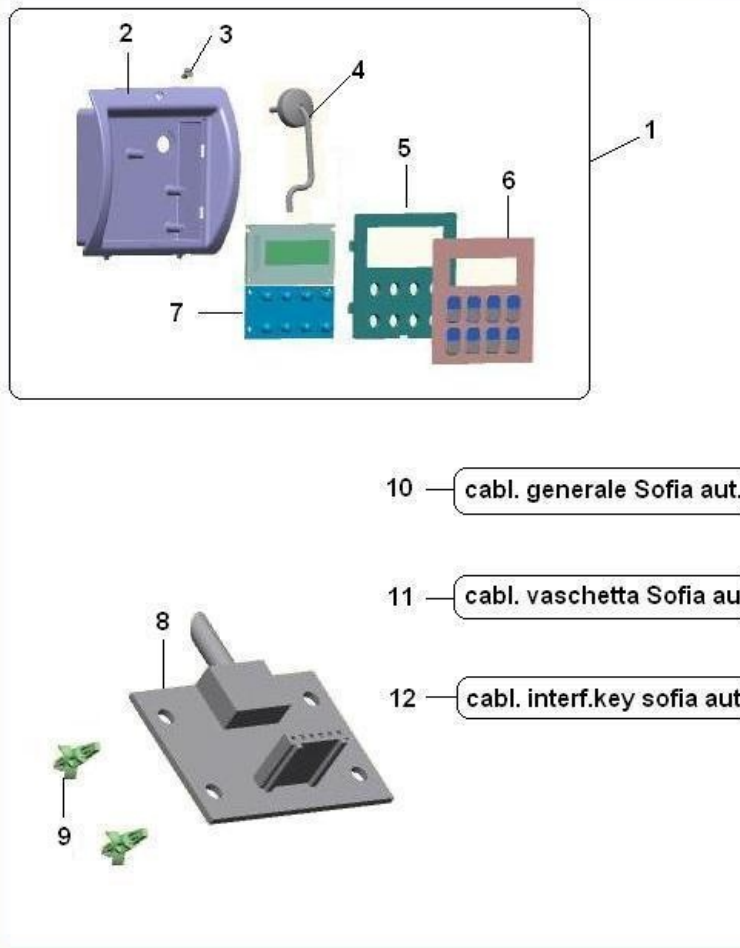
ASSEMBLY ELECTRICAL BOX (1281)



ASSEMBLY ELECTRICAL BOX (1281) - Item detail:

Position	Code	Options	Description
1	94034030		BV351 SOPHIA 1GR SWITCH BOX
2	32055726		allen screw 4max*20
3	35155226		plain washerODE
4	34102826		Brass nut 4MA7
5	35160326		tooth washer D. 4,2IX
6	05195216		board spacer6
7	33072046		PLASTIC SPACER M/F M3 L.7,9
8	32025116		TC 3MAx5 screw
9	33071926		Metal spacer M/F/ M3L.
10	34102716		M3 hexagonal nut
11	33065526		L=10 card spacerODE
12	33065726		4M nut for board spacerODE
13	23038816		BVM plugs assyer
14	26048356-01		switch powersupply24V120W/360W
15	26052916		MASTER BOARD SOFIA AUT
16	01863021		BV351 SOPHIA 1GR SWITCH BOX
17	30053411		iris voltage safety stiker110v
18	30077911		ground plate pegasor
19	23014926-01		12,5A fuseable
20	23017316		6.3x32 snap-type fuse holderable

KEYBOARD - INTERFACE BOARD - CABLES (847)



KEYBOARD - INTERFACE BOARD - CABLES (847) - Item detail:

Position	Code	Options	Description
1	05250610		AUT.SOPHIA KEYPAD DISPLAY ASSY
2	05250215M09		display/keyboard mask sofia
3	32070336		TSP4MAX8 screw
4	22189312		keyboard/display cable sofia
5	05254015M09		display/keyboard cover sofia
7	26053016		DISPLAY/KEYB BOARD SOFIA AUT
8	26056016		interface key board
9	05195216		board spacer6
10	22185712-01		general wiring sofia aut
11	22183632		tray cable sofia automat
12	22189412		interface key cable sofia aut