

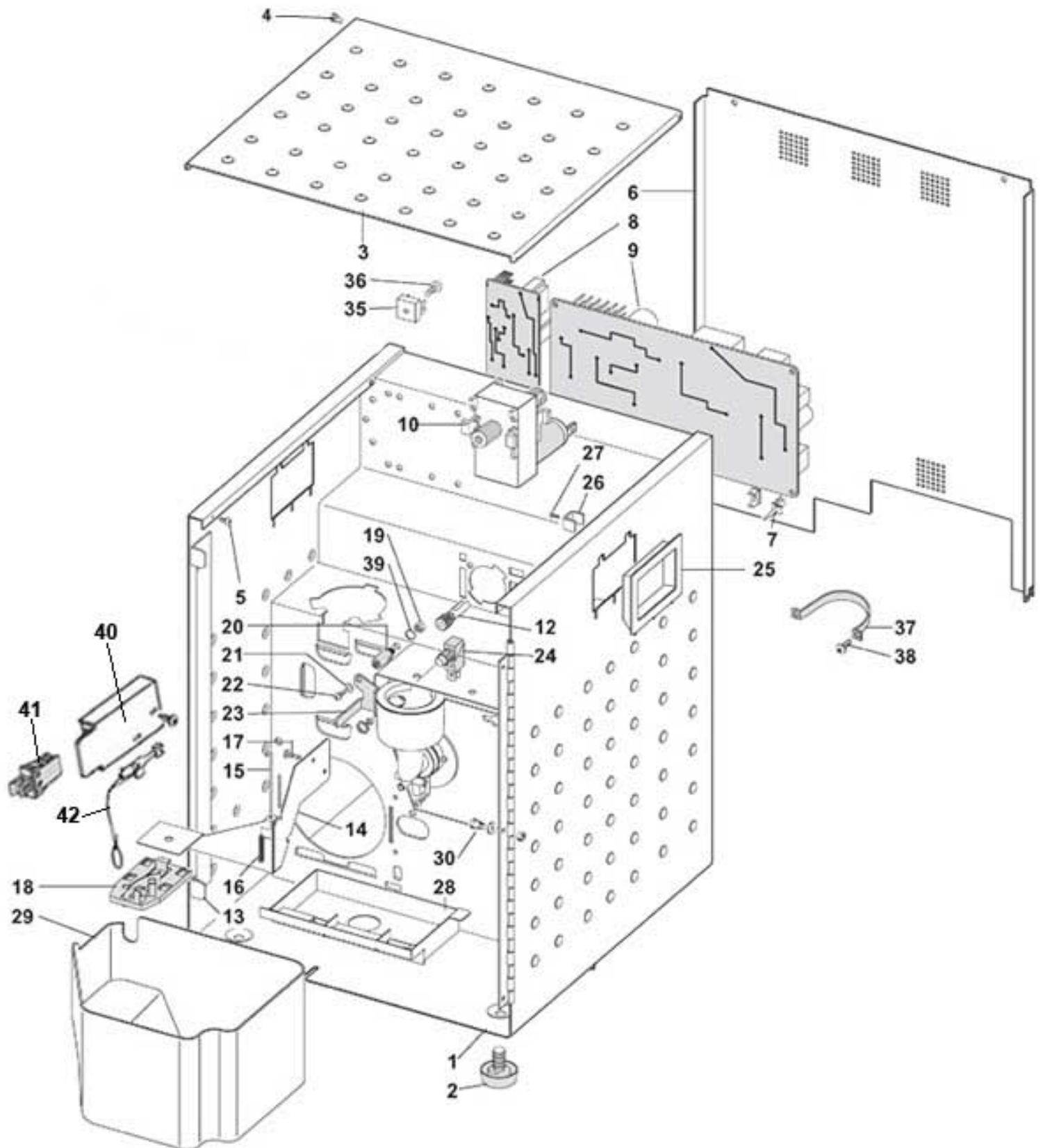
rheavendors 

vending machine

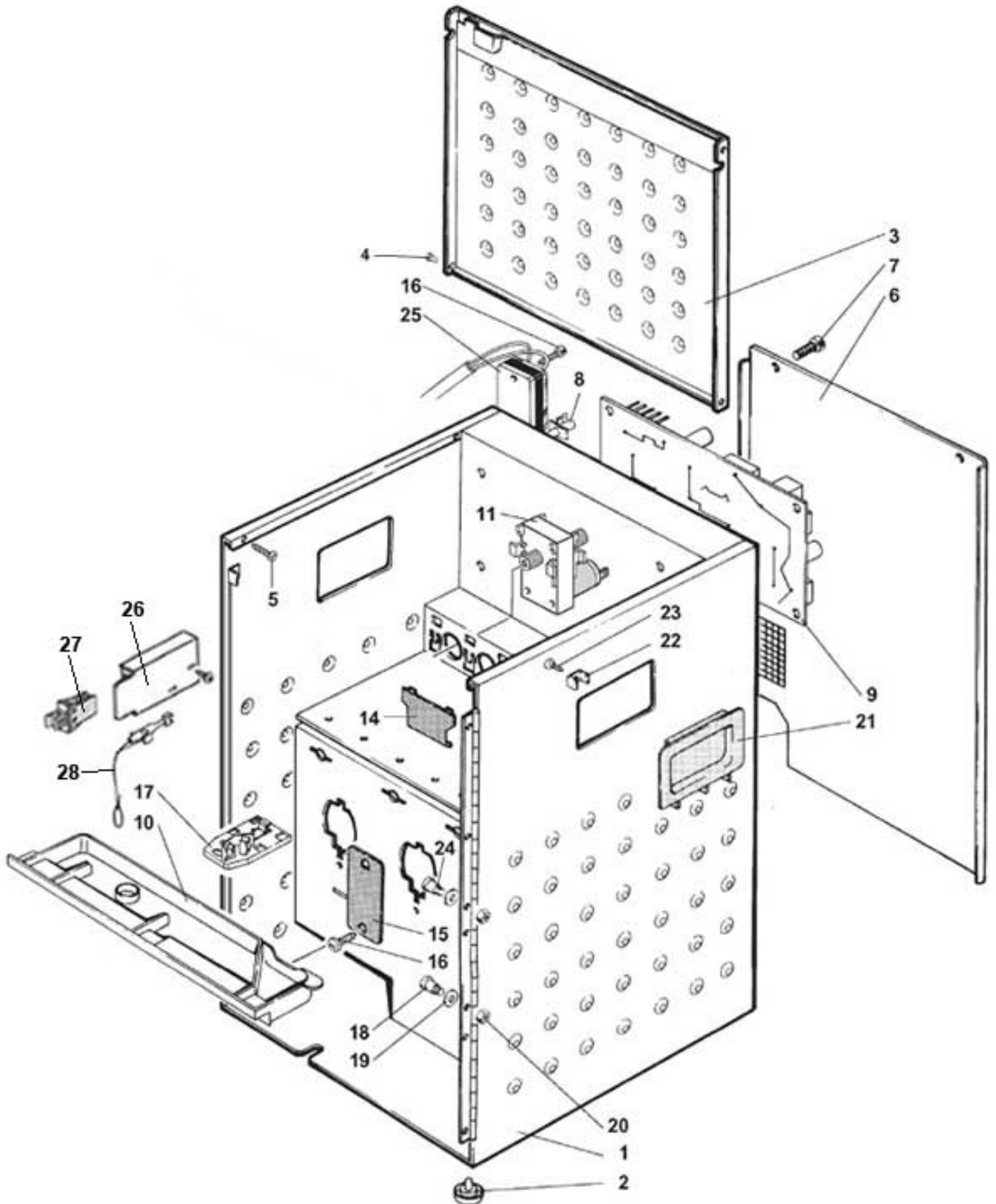
[XS]



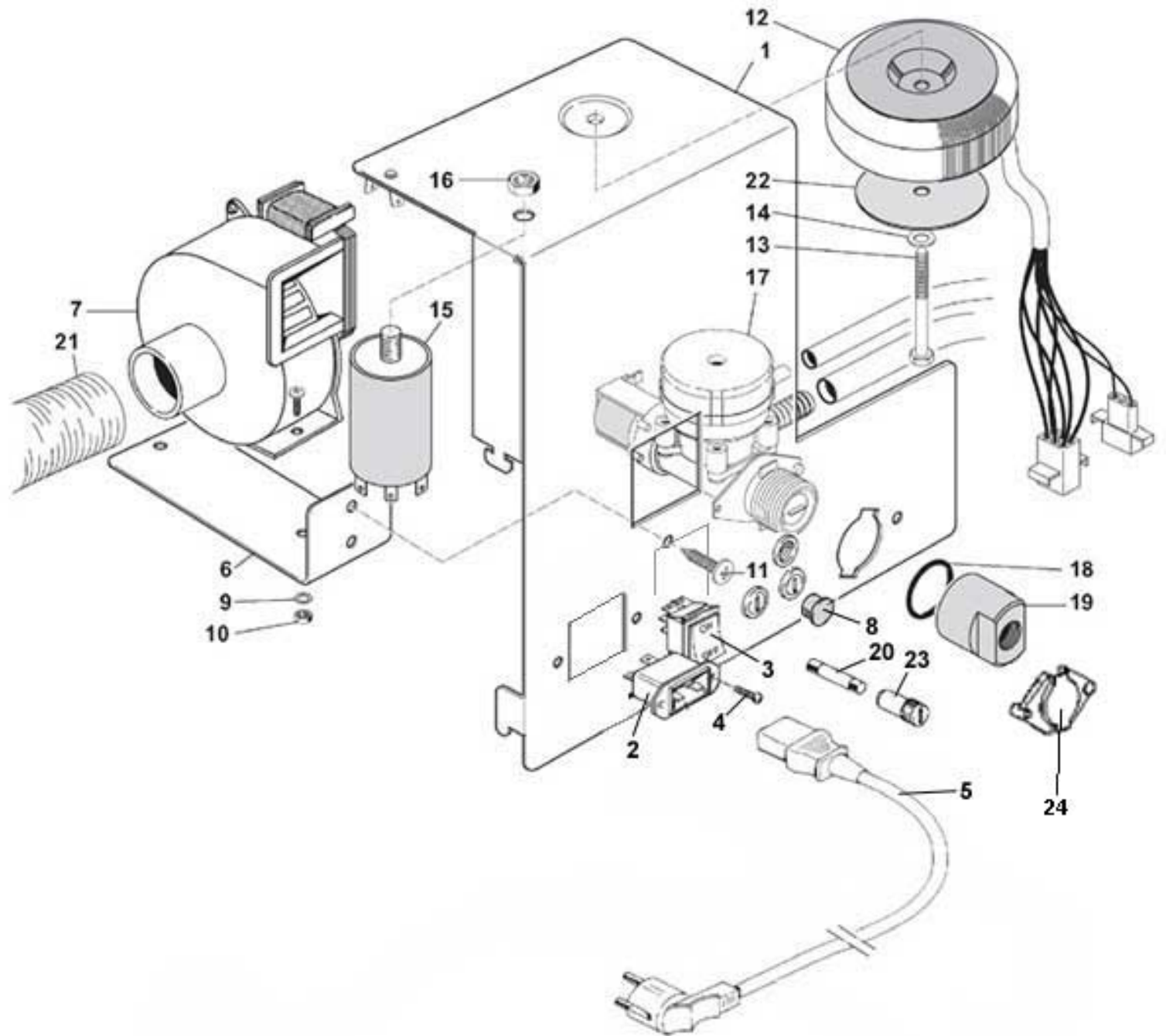
spare parts manual



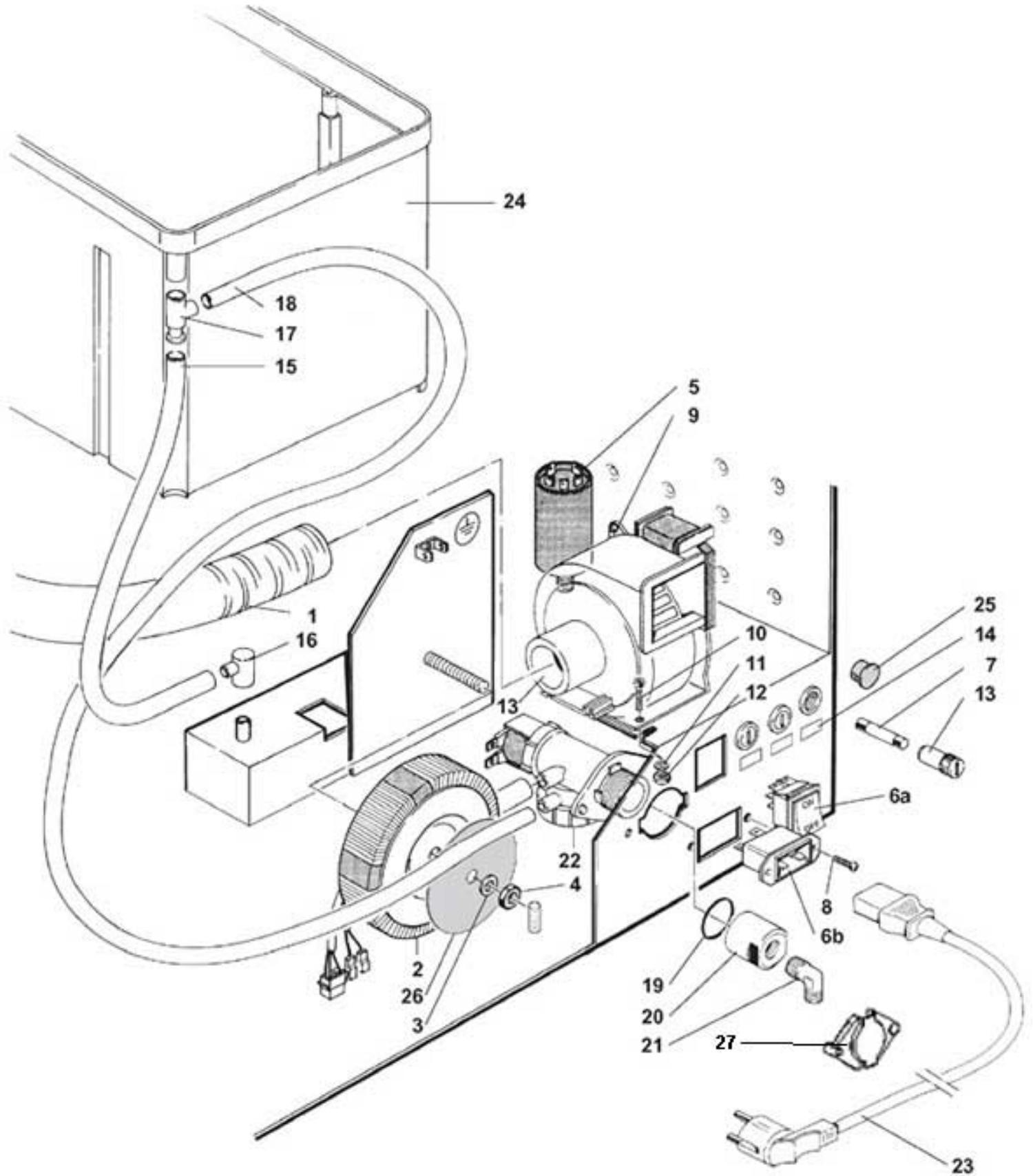
Pos.	Code	Description
1/a	0010020105	'E' CABINET STRUCTURE ASSEMBLY Up to serial 03209999
1/b	0010020805	'E' CABINET STRUCTURE ASSEMBLY From serial 03210001
	0010020805CM	'E' CABINET STRUCTURE ASSEMBLY From serial 03210001 MERCEDES GREY RAL 9006
	0010020805NA	'E' CABINET STRUCTURE ASSEMBLY From serial 03210001 BLACK
1/c	0010020801	S/B 'E' CABINET STRUCTURE ASSEMBLY
	0010020801CM	S/B 'E' CABINET STRUCTURE ASSEMBLY MERCEDES GREY RAL 9006
	0010020801NA	S/B 'E' CABINET STRUCTURE ASSEMBLY BLACK
2	0010020169	CABINET FEET ASSEMBLY
3/a	0010020113	'E' UPPER COVER
3/b	0010020816	'E' UPPER COVER
	0010020816CM	'E' UPPER COVER MERCEDES GREY RAL 9006
	0010020816NA	'E' UPPER COVER BLACK
3/c	0010020803	S/B 'E' UPPER COVER
	0010020803CM	S/B 'E' UPPER COVER MERCEDES GREY RAL 9006
	0010020803NA	S/B 'E' UPPER COVER BLACK
4	0010020754R	UPPER COVER PIN WITH RIVET
5	VIT0002009	SCREW T.C.B. 3.5 x 6.5
6/a	0010020820	'E' REAR DOOR
	0010020820CM	'E' REAR DOOR MERCEDES GREY RAL 9006
	0010020820NA	'E' REAR DOOR BLACK
6/b	0010020845	'E' REAR DOOR UL FOR VERSION UL
	0010020845CM	'E' REAR DOOR UL FOR VERSION UL MERCEDES GREY RAL 9006
	0010020845NA	'E' REAR DOOR UL FOR VERSION UL BLACK
7	ELE0062008	PIN BOARD SUPPORT
8		See table CONTROL AND POWER LOGIC
9		See table CONTROL AND POWER LOGIC
10	0090002113	24 V DC 80 RPM PRODUCT GEAR MOTOR
11		
12		
13	0010020133	JOINT FRONT COVER
14	0010020134	JOINT SIDE COVER
15	0010020137	JOIN PIN
16	0010020138	JOINT SPRING
17	VIT0002401	SCREW TCB 3.5 x 9.5
18	0010020409	PIPES SUPPORT
19	VIT0004505	NUT M6
20	0010020196	HOOKING BLOCK
21	VIT0003301	WASHER D.12 x 4.3 x 1.5
22	VIT0000030	SCREW TCB M4 x 7
23	0010020132	GROUP CONNECTING PLATE
24	ELE0001506	MICROSWITCH 83.131.8-IW3M
25	0010020026NA	HANDLE
26	4600010012	SECURING CONNECTION
27	VIT0002028	TAPPING SCREW TCB 3.5 x 9.5
28	0010022115	EXHAUST DRAWER
29/a	0010020191	GROUNDS CONTAINER
29/b	0010020822	GROUNDS CONTAINER FOR VERSION UL
30/a	0010020116	'E' 2 MIXER SUPPORT
30/b	0010020125	'E' 1 MIXER SUPPORT
31	0020035125	PLASTIC COIN BOX LONG SPACER
32	VIT0003103	WASHER tab D. 4.3
33	VIT0004503	NUT M 4
34	0020035124	PLASTIC COIN BOX SHORT SPACER
35	ELT0006005	25 A 600 V DIODE BIDGE
36	VIT0000014	M 4x16 TCB SCREW
37	0010020186	PIPES CLIP
38	VIT0000014	M 4x16 TCB SCREW
39	GUA0000004	GASKET 104
40	0010020772	SWITCH SUPPORT
41/a	ELE0002009	SAFETY SWITCH
41/b	ELE0002017	15/250 UL BIPOLAR SWITCH FOR VERSION UL
42	0270011109R0	SERVICE KEY ASSEMBLY



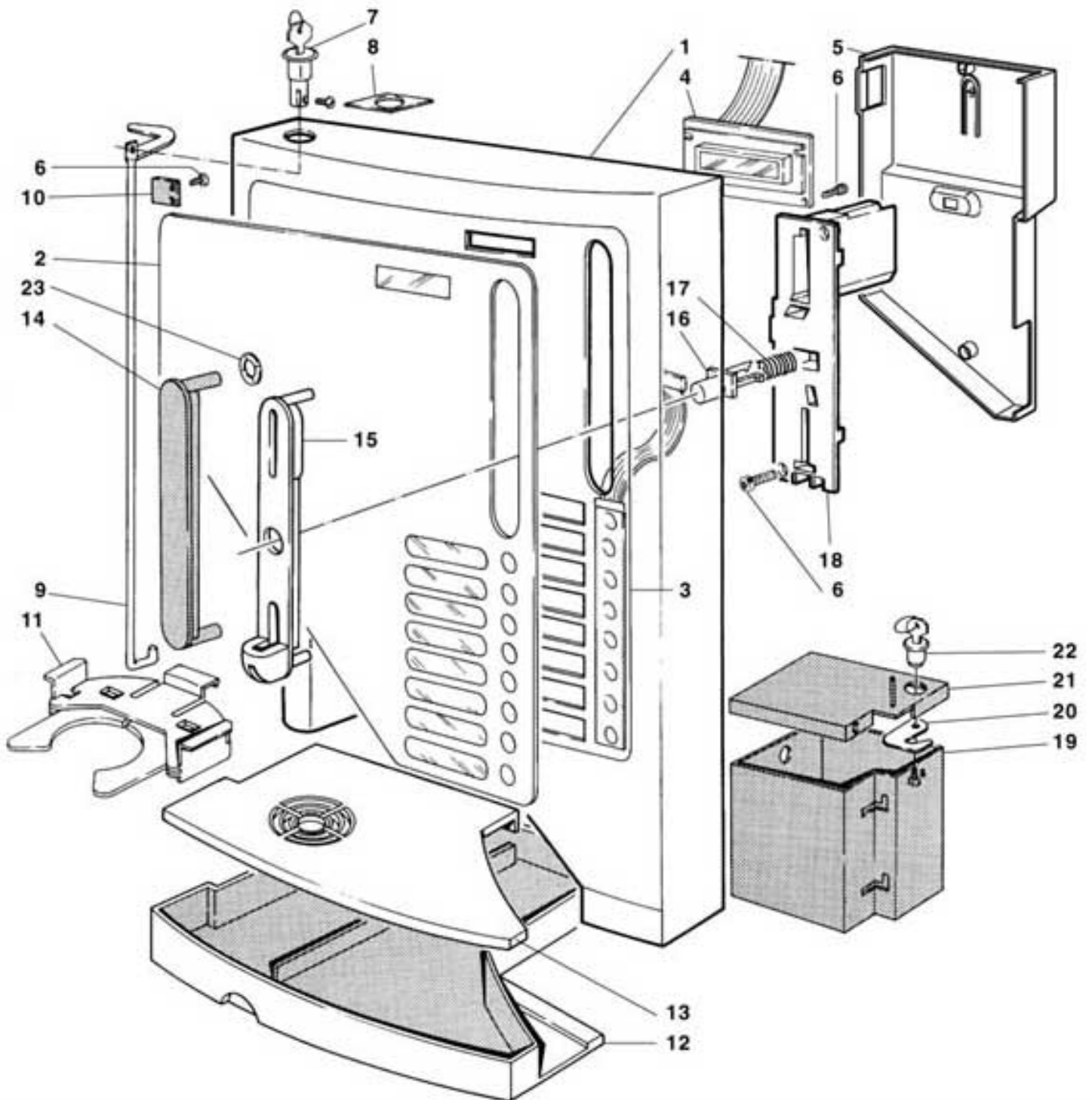
Pos.	Code	Description
1/a	0010020005	XS-H CABINET STRUCTURE ASSEMBLY Up to serial 0201999
1/b	0010020355	XS-H 110 V CABINET STRUCTURE ASSEMBLY Up to serial 0201999
1/c	0010020065	CABINET STRUCTURE Up to serial 03219999
1/d	0010020784	CABINET STRUCTURE From serial 03220001
	0010020784CM	CABINET STRUCTURE From serial 03220001 MERCEDES GREY RAL 9006
	0010020784NA	CABINET STRUCTURE From serial 03220001 BLACK
1/e	0010020786	S/B CABINET STRUCTURE
	0010020786CM	S/B CABINET STRUCTURE MERCEDES GREY RAL 9006
	0010020786NA	S/B CABINET STRUCTURE BLACK
1/f	0010020835	UL XS H CABINET STRUCTURE
2	GUA0011011	D.25 SELFLOCKING FEET WITH PIN
3/a	0010020021	UPPER COVER
3/b	0010020766	XS H IMQ UPPER COVER
	0010020766CM	XS H IMQ UPPER COVER MERCEDES GREY RAL 9006
	0010020766NA	XS H IMQ UPPER COVER BLACK
3/c	0010020788	S/B XS H IMQ UPPER COVER
	0010020788CM	S/B XS H IMQ UPPER COVER MERCEDES GREY RAL 9006
	0010020788NA	S/B XS H IMQ UPPER COVER BLACK
4	0010020754R	UPPER COVER PIN WITH RIVET
5	VIT0002009	SCREW T.C.B. 3.5 x 6.5
6/a	0010020017R	REAR DOOR Up to serial 0201999
6/b	0010020164R	U.S.A. REAR DOOR From serial 0202001
6/c	0010020770	REAR DOOR
	0010020770CM	REAR DOOR MERCEDES GREY RAL 9006
	0010020770NA	REAR DOOR BLACK
6/d	0010020842R	XS H UL REAR DOOR
7	VIT0000030	SCREW TCB M4 x 7
8	ELE0062008	PIN BOARD SUPPORT
9		See table COFFEE BEANS CONTAINER GROUP
10/a	0010020016	2-HOLE EXHAUST DRAWER Up to serial 0201999
	0010020016V0	2-HOLE EXHAUST DRAWER Up to serial 0201999 DUST GREY RAL 7037
10/b	0010020072	EXHAUST DRAWER From serial 0202001
11	0090002113	24 V DC 80 RPM PRODUCT GEAR MOTOR
12		
13		
14	0010020029NA	BLACK GEAR MOTOR COVER
15	0010020028NA	BLACK MIXER PLUG
16	VIT0002401	SCREW TCB 3.5 x 9.5
17/a	0010020051	SUPPORT FOR PRODUCT PIPE
17/b	0010020057	INOX SUPPORT FOR PRODUCT PIPE + H2O
17/c	0010020267	SUPPORT FOR PRODUCT PIPE + H2O
18/a	4060010126	PLASTIC COIN DRAWER BOX
18/b	0020035125	PLASTIC COIN BOX LONG SPACER
19	VIT0003103	WASHER tab D. 4.3
20	VIT0004503	NUT M 4
21	0010020026NA	HANDLE
22	4600010012	SECURING CONNECTION
23	VIT0002028	TAPPING SCREW TCB 3.5 x 9.5
24	0020035124	PLASTIC COIN BOX SHORT SPACER
25	ELE0001012	RELAY OPT 22
26	0010020772	SWITCH SUPPORT
27/a	ELE0002009	SAFETY SWITCH
27/b	ELE0002017	15/250 UL BIPOLAR SWITCH
28	0270011109R0	SERVICE KEY ASSEMBLY



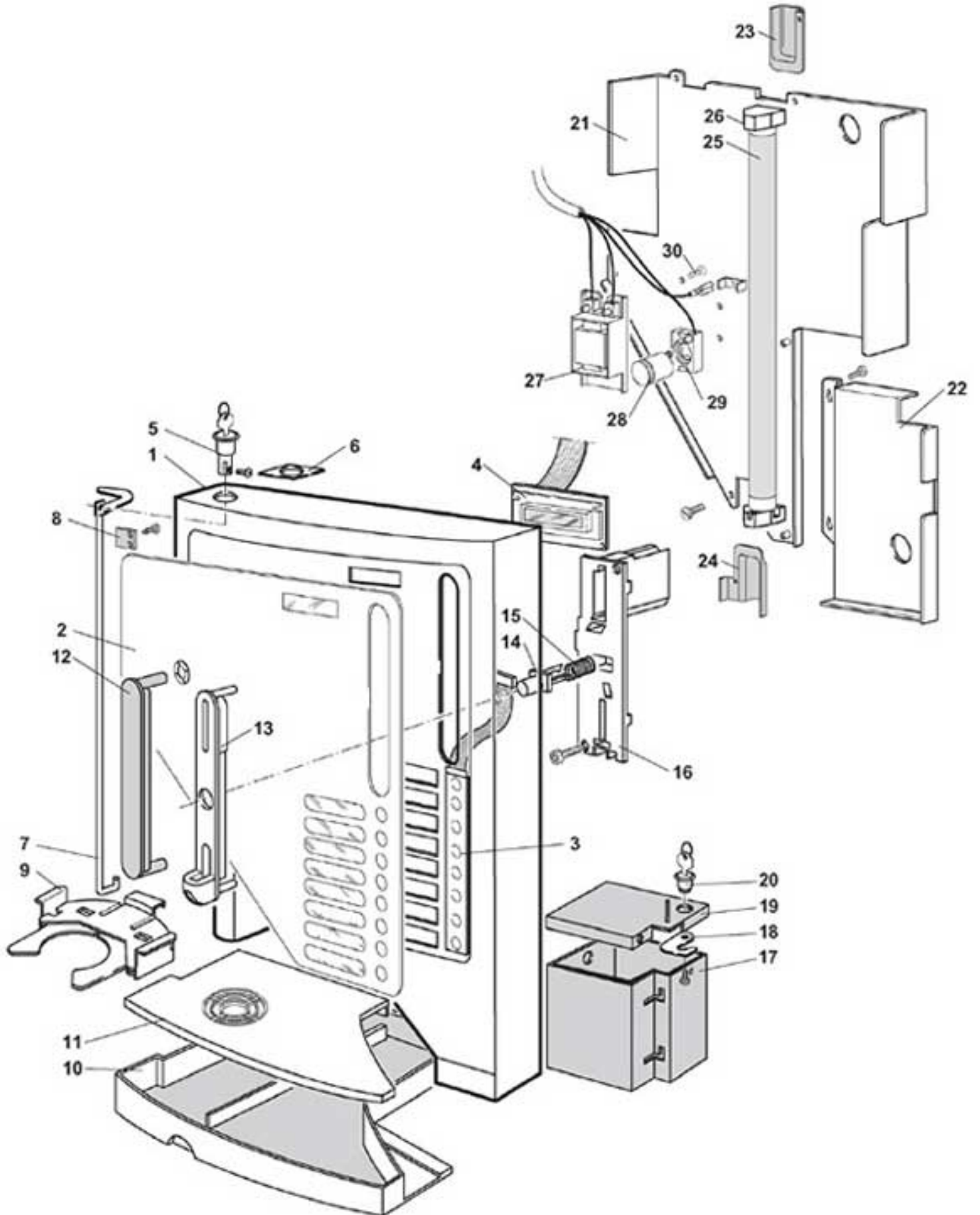
Pos.	Code	Description
1/a	0010020813	EXHAUST SUPPORT
1/b	0010020848	EXHAUST SUPPORT UL FOR VERSION UL
2	ELE0002310	IEC 15A 250V SOCKET
3	ELE0002014	BIPOLAR SWITCH 15A 250V
4	VIT0002009	SCREW T.C.B. 3,5 x 6,5
5/a	ELE0055008	POWER LEAD 3X1 WITH IEC PLUG AND SCHUKO SOCKET
5/b	ELE0055009	POWER LEAD 3X1 WITH IEC PLUG AND CH SOCKET
5/c	ELE0055010	POWER LEAD 3X1 WITH IEC PLUG AND GB SOCKET
5/d	ELE0055013	POWER LEAD WITH IEC PLUG AND ISRAEL SOCKET
5/e	ELE0055015	POWER LEAD WITH UL PLUG AND SOCKET FOR VERSION UL
5/f	ELE0055018	POWER LEAD WITH IEC PLUG AND ZA SOCKET
5/g	ELE0055021	POWER LEAD IRAM+IEC PLUG
6	0010020145	EXHAUST SUPPORT
7/a	ELE0000459	CENTRIFUGAL EXHAUSTER
7/b	ELE0000355	EXHAUST FAN
8	GUA0011010	PLUG
9	VIT0003103	WASHER tab D. 4.3
10	VIT0004503	NUT M 4
11	VIT0002401	SCREW TCB 3.5 x 9.5
12/a	ELE0000569R	TOROIDAL TRANSFORMER ASSEMBLY
12/b	ELE0000575R	TOROIDAL TRANSFORMER 220VA 120/60 UL FOR VERSION UL
12/c	ELE0000568CL	TOROIDAL TRANSFORMER 100v
13	VIT0000241	M 6x60 H.H. SCREW
14	VIT0003005	6.4x12.5x1.6 FLAT WASHER
15/a	ELE0009055	ANTIPARASITIC FILTER
15/b	ELE0009060	ANTIPARASITIC FILTER 16A UL FOR VERSION UL
16	VIT0004506	M 8 NUT
17	0110001086	24 DC INLET VALE WITH SAFETY DEVICE (*) JUST FOR MAIN WATER SUPPLY
18	GUA0000021	GASKET 130 JUST FOR MAIN WATER SUPPLY
19	0810010558	WATER INLET VALVE CONNECTION JUST FOR MAIN WATER SUPPLY
20/a	ELE0003024	SLOW-BLOW CERAMIC TYPE 6.3A FUSES 5 x 20
20/b	ELE0003029	SLOW-BLOW CERAMIC TYPE 6.3A FUSES 5 x 31,8 UL FOR VERSION UL
21	TEOL000002	EXTERNAL WRINKLED PIPE D.30
22	GUA0005016	GUARNIZIONE GOMMA TRASFORMATO
23/a	ELE0003507	FUSES HOLDER
23/b	ELE0003508	FUSES HOLDER 16A 250V FOR VERSION UL
23/c	ELE0003508CL	FUSES HOLDER + FUSES
24	0010020839	INLET VALVE COVER HOLE



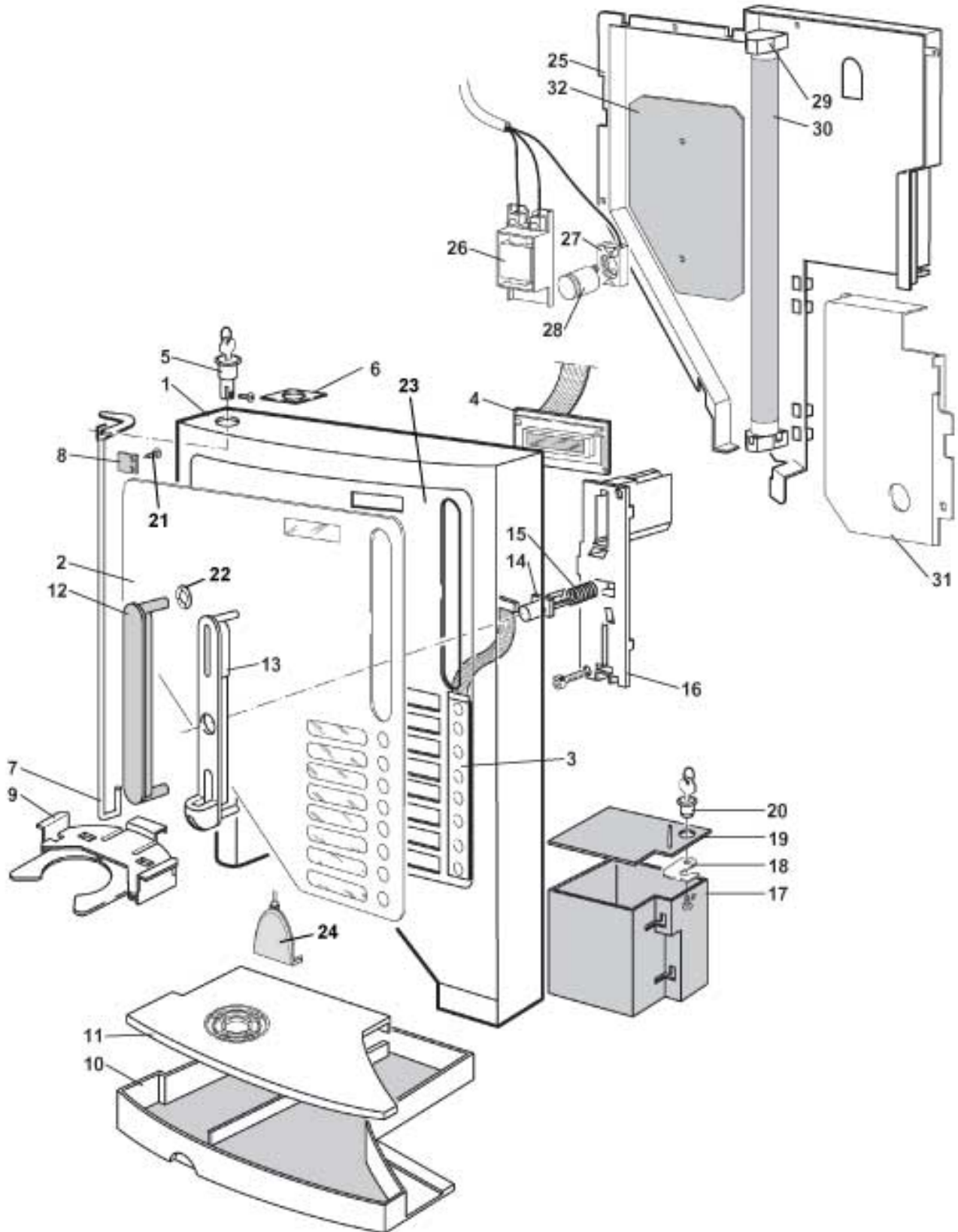
Pos.	Code	Description
1	TEOL000002	EXTERNAL WRINKLED PIPE D.30
2/a	ELE0000555R	TOROIDAL TRANSFORMER 230V
2/b	ELE0000571CL	100 VA TRANSFORMER
3	VIT0003005	6.4x12.5x1.6 FLAT WASHER
4	VIT0004505	NUT M6
5/a	ELE0009055	ANTIPARASITIC FILTER
5/b	ELE0009060	ANTIPARASITIC FILTER 16A UL
6	ELE0002309CL	PANEL SWITCH + CABLE Up to serial 0201999
6/b	ELE0002310	IEC 15A 250V SOCKET From serial 0202001
6/a	ELE0002014	BIPOLAR SWITCH 15A 250V From serial 0202001
7/a	ELE0003004	5 A 5x20 SLOW-BLOW GLASS FUSE Up to serial 0201999
7/b	ELE0003024	SLOW-BLOW CERAMIC TYPE 6.3A FUSES 5 x 20 From serial 0202001
7/c	ELE0003029	SLOW-BLOW CERAMIC TYPE 6.3A FUSES 5 x 31,8 UL
7/d	ELE0003035	SLOW-BLOW CERAMIC TYPE 15A FUSES 6,3 x 32
8	VIT0002401	SCREW TCB 3.5 x 9.5
9/a	ELE0000355	EXHAUST FAN
9/b	ELE0000459	CENTRIFUGAL EXHAUSTER
10	VIT0000012	SCREW T.C.B. M 4 x 10
11	VIT0003103	WASHER tab D. 4.3
12	VIT0004503	NUT M 4
13	ELE0003507	FUSES HOLDER
14/a	1010100110	FUSE LABEL 12A (3 FUS.)
15	TSIL07/11T	TRANSPARENT SILICONE PIPE D.7 x 11
14/b	1010100124	FUSE LABEL 12A (2 FUSES)
14/c	1010100125	FUSE LABEL 12-15-15A JAPAN
16	0600016030	Overflow fitting
17	0600016028	"T" UNION
18	TSIL05/08T	TRANSPARENT SILICONE PIPE D.5 x 8
19	GUA0000021	GASKET 130
20	0810010558	WATER INLET VALVE CONNECTION
21	0100001022	L FITTING 6-3/8M CON.
22	0110001058	24V INLET SAFETY VALVE
23/a	ELE0055008	POWER LEAD 3X1 WITH IEC PLUG AND SCHUKO SOCKET
23/b	ELE0055009	POWER LEAD 3X1 WITH IEC PLUG AND CH SOCKET
23/c	ELE0055010	POWER LEAD 3X1 WITH IEC PLUG AND GB SOCKET
23/d	ELE0055011	POWER LEAD WITH IEC SOCKET AND USA PLUG
23/e	ELE0055012	POWER LEAD SCHUKO-SOCKET IEC 16A
23/f	ELE0055013	POWER LEAD WITH IEC PLUG AND ISRAEL SOCKET
23/g	ELE0055015	POWER LEAD WITH UL PLUG AND SOCKET
23/h	ELE0055018	POWER LEAD WITH IEC PLUG AND ZA SOCKET
23/i	ELE0055021	POWER LEAD IRAM+IEC PLUG
24		See table MIXER
25	GUA0011010	PLUG
26	GUA0005016	GUARNIZIONE GOMMA TRASFORMATORE
27	0010020839	INLET VALVE COVER HOLE
100	ELE0003507CL	FUSES HOLDER + FUSES



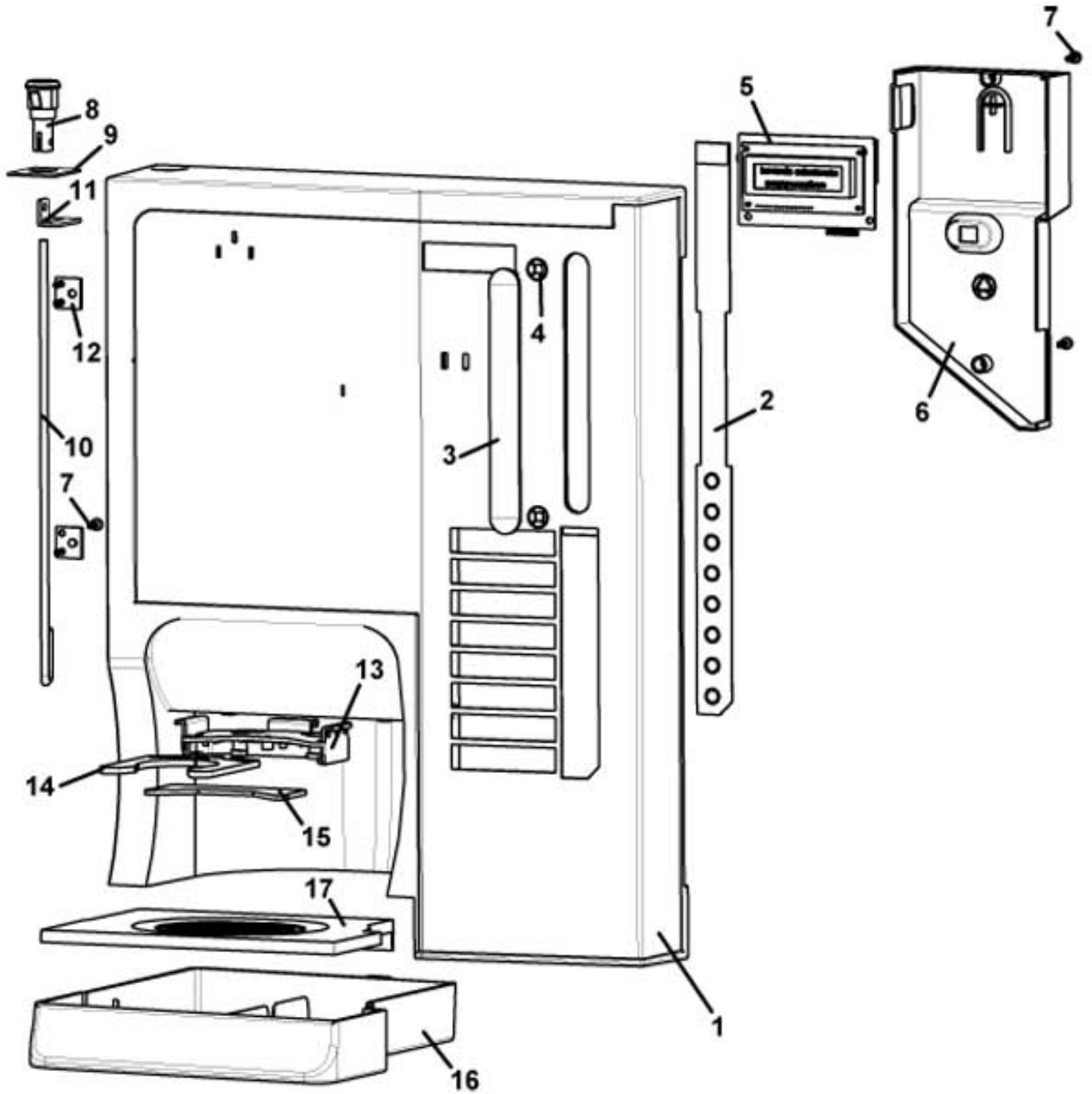
Pos.	Code	Description	
1/a	0020035105	ROUNDED DOOR	
1/b	0020035005	ROUNDED DOOR	
2	0020035013	ADHESIVE FRONT PANEL	
3	0020035036	8-KEY KEYBOARD	
4		See table CONTROL AND POWER LOGIC	
5	0020035008	DISPLAY COVER	
6	VIT0002452	TAPPING SCREW TCB 3.5 x 12	
7	SER0000012	BOX 5 RAPID EXTENSION LOCK	
8	0020035041	LOCK PLATE	
9/a	0020035045	DOOR LOCK PIN	
9/b	0020035055	DOOR LOCK PIN	
10	0020035046	PIN STOP PLATE	
11/a	0020027080R	BLACK CUP SUPPORT WITH CONNECTION	
11/b	0020027081R	RED CUP SUPPORT WITH CONNECTION	
12	0020035006	WATER COLLECTION TRAY	
	0020035006CM	WATER COLLECTION TRAY MERCEDES GREY RAL 9006	
	0020035006CM	WATER COLLECTION TRAY MERCEDES GREY RAL 9006	
	0020035006NA	WATER COLLECTION TRAY BLACK	
13	0020035007	WATER COLLECTION TRAY GRATE	
14/a	0020035029NA	BLACK COIN BOX BLOCKING TAB	
14/b	0020035029KB	RED COIN BOX BLOCKING TAB 1531	
15/a	0020035031NA		
15/b	0020035031KB		
16/a	0020035033KA	RED COIN RETURN BUTTON 3020	
16/b	0020035033KB	RED COIN RETURN BUTTON 3020	
16/c	0020035033CM	COIN RETURN BUTTON RAL 9006	
17	0020035034	COIN RETURN BUTTON SPRING	
18	0020035032NA	BLACK COIN MECHANISM SUPPORT	
19/a	0020035123NA	PLASTIC COIN DRAWER	
19/b	0020035116	COIN BOX XS	
20/a	0020035114	COIN BOX LOCK HOOK	*
20/b	0020035126NA	PLASTIC COIN DRAWER HOOK	**
21/a	0020035115	COIN BOX COVER XS	*
21/b	0020035122NA	BLACK COIN BOX COVER ASSEMBLY	**
22/a	SER0000015	LOCK	*
22/b	SER0000001	BOX 5 20 mm LOCK	
23	VIT0007109	BUSH	
100	0020035115R	SHEET METAL COVER ASSEMBLY (POS. 18/A+19/A+20/A)	assieme
101	0020035122R	PLASTIC COVER ASSEMBLY (POS. 18/A+19/A+20/A)	assieme



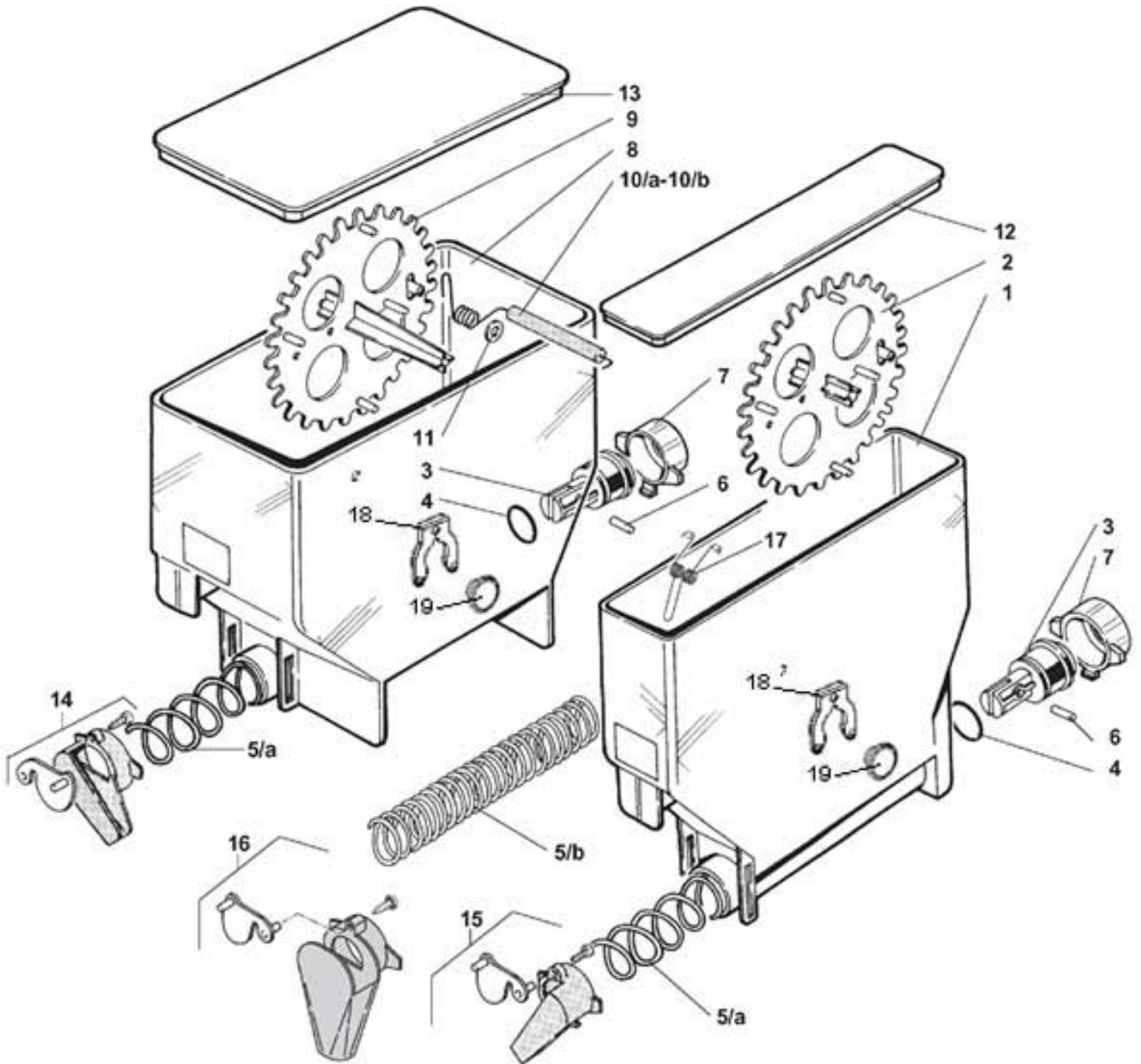
Pos.	Code	Description	
1	0020035135	BLACK DOOR	
2	0020035013	ADHESIVE FRONT PANEL	
3	0020035036	8-KEY KEYBOARD	
4	see tab. 16		
5	SER0000012	BOX 5 RAPID EXTENSION LOCK	
6	0020035041	LOCK PLATE	
7	0020035055	DOOR LOCK PIN	
8	0020035046	PIN STOP PLATE	
9/a	0020027081R	RED CUP SUPPORT WITH CONNECTION	
9/b	0020027080R	BLACK CUP SUPPORT WITH CONNECTION	
10	0020035006	WATER COLLECTION TRAY	
	0020035006CM	WATER COLLECTION TRAY MERCEDES GREY RAL 9006	
	0020035006CM	WATER COLLECTION TRAY MERCEDES GREY RAL 9006	
	0020035006NA	WATER COLLECTION TRAY BLACK	
11	0020035007	WATER COLLECTION TRAY GRATE	
12/a	0020035029NA	BLACK COIN BOX BLOCKING TAB	
12/b	0020035029KB	RED COIN BOX BLOCKING TAB 1531	
13/a	0020035031NA		
13/b	0020035031KB		
14/a	0020035033KA	RED COIN RETURN BUTTON 3020	
14/b	0020035033KB	RED COIN RETURN BUTTON 3020	
14/c	0020035033CM	COIN RETURN BUTTON RAL 9006	
15	0020035034	COIN RETURN BUTTON SPRING	
16	0020035032NA	BLACK COIN MECHANISM SUPPORT	
17/a	0020035116	COIN BOX XS	
17/b	0020035123NA	PLASTIC COIN DRAWER	
18/a	0020035114	COIN BOX LOCK HOOK	*
18/b	0020035126NA	PLASTIC COIN DRAWER HOOK	**
19/a	0020035115	COIN BOX COVER XS	*
19/b	0020035122NA	BLACK COIN BOX COVER ASSEMBLY	**
20/a	SER0000015	LOCK	*
20/b	SER0000001	BOX 5 20 mm LOCK	
21	0020035141	LAMP TRAIL SHEET	
22	0020035143	LABEL INSERTION DOOR	
23	0020035137	UPPER CABLES PROTECTION	
24	0020035138	LOWER CABLES PROTECTION	
25	ELE0009018	L 8 W 20 LAMP	
26	ELE0009107	BIPLUG G 13 LAMP HOLDER	
27	ELE0009127	220 V BALLAST	
28	ELE0009109	STARTER	
29	ELE0009108	L 8 W 20 LAMP	
30	VIT0000030	SCREW TCB M4 x 7	
100	0020035115R	SHEET METAL COVER ASSEMBLY (POS. 18/A+19/A+20/A)	assieme
101	0020035122R	PLASTIC COVER ASSEMBLY (POS. 18+19+20)	assieme



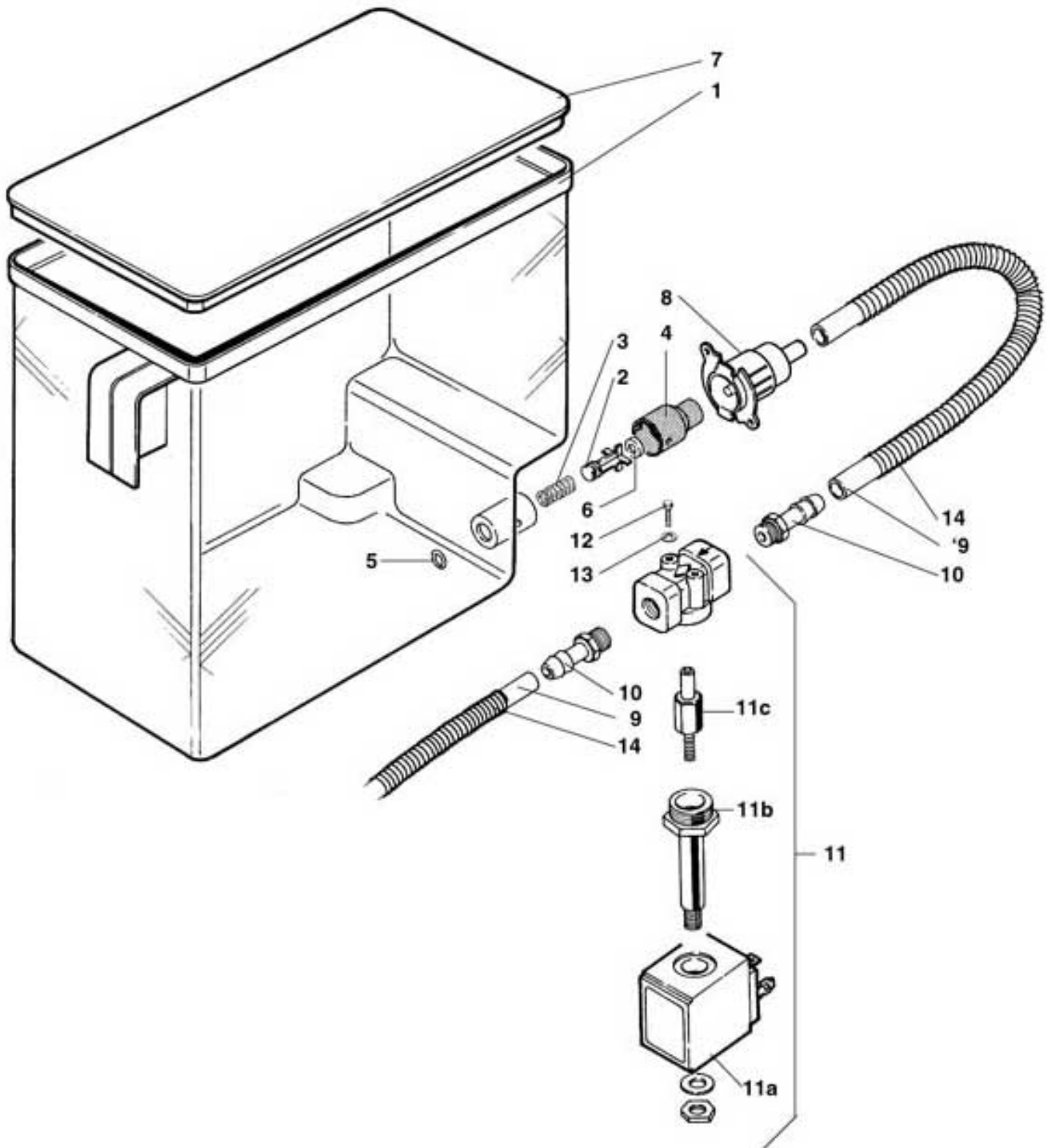
Pos.	Code	Description	
1/a	0020035205		
	0020035205CM	MERCEDES GREY RAL 9006	
	0020035205NA	BLACK	
1/b	0020035104	UL/CSA XS DOOR	
2	0020035035	ONDA NESTLE PANEL	
3	0020035036	8-KEY KEYBOARD	
4	see tab. 16		
5/a	SER0000012	BOX 5 RAPID EXTENSION LOCK	
5/b	SER0000027	PROGRAMMABLE LOCK	
6	0020035041	LOCK PLATE	
7	0010020519	KJS DOOR LOCK PIN	
8	0020035046	PIN STOP PLATE	
9/a	0020027081R	RED CUP SUPPORT WITH CONNECTION	
9/b	0020027080R	BLACK CUP SUPPORT WITH CONNECTION	
10/a	0020035006	WATER COLLECTION TRAY	
	0020035006CM	WATER COLLECTION TRAY MERCEDES GREY RAL 9006	
	0020035006CM	WATER COLLECTION TRAY MERCEDES GREY RAL 9006	
	0020035006NA	WATER COLLECTION TRAY BLACK	
10/b	0020035098	XS 03 WATER COLLECTION TRAY	
	0020035098NA	XS 03 WATER COLLECTION TRAY BLACK	
11/a	0020035007	WATER COLLECTION TRAY GRATE	
11/b	0020035099	XS 03 WATER COLLECTION TRAY GRATE	
12	0020035029	COIN BOX BLOCKING TAB	
	0020035029CG	COIN BOX BLOCKING TAB LIGHT GREY RAL 7035	
	0020035029CM	COIN BOX BLOCKING TAB MERCEDES GREY RAL 9006	
	0020035029EC	COIN BOX BLOCKING TAB BROWN 1807C	
	0020035029KB	COIN BOX BLOCKING TAB BRICK RED 153154	
	0020035029NA	COIN BOX BLOCKING TAB BLACK	
13	0020035031	RED COIN BOX tab 153154	
	0020035031CF	RED COIN BOX tab 153154 ANTHRACITE GRAY RAL 7016	
	0020035031CG	RED COIN BOX tab 153154 LIGHT GREY RAL 7035	
	0020035031CM	RED COIN BOX tab 153154 MERCEDES GREY RAL 9006	
	0020035031EC	RED COIN BOX tab 153154 BROWN 1807C	
	0020035031KB	RED COIN BOX tab 153154 BRICK RED 153154	
	0020035031NA	RED COIN BOX tab 153154 BLACK	
14	0020035033	COIN RETURN BUTTON	
	0020035033CM	COIN RETURN BUTTON MERCEDES GREY RAL 9006	
	0020035033EC	COIN RETURN BUTTON BROWN 1807C	
	0020035033KA	COIN RETURN BUTTON SIGNAL RED RAL 3020	
	0020035033KB	COIN RETURN BUTTON BRICK RED 153154	
	0020035033NA	COIN RETURN BUTTON BLACK	
15	0020035034	COIN RETURN BUTTON SPRING	
16	0020035032NA	BLACK COIN MECHANISM SUPPORT	
17	0020035123NA	PLASTIC COIN DRAWER	
18	0020035126NA	PLASTIC COIN DRAWER HOOK	**
19	0020035122NA	BLACK COIN BOX COVER ASSEMBLY	**
20	SER0000015	LOCK	*
21	VIT0002452	TAPPING SCREW TCB 3.5 x 12	
22	VIT0007109	BUSH	
23	0020035206		
24	0020035209	RED SHINING SUPPLEMENT	
	0020035209KA	RED SHINING SUPPLEMENT SIGNAL RED RAL 3020	
	0020035209NA	RED SHINING SUPPLEMENT BLACK	
	0020035209TR	RED SHINING SUPPLEMENT TRASPARENT	
25	0020035207		
26/a	ELE0009127	220 V BALLAST	
26/b	ELE0009119		
26/c	ELE0009124	UL 120 V BALLAST	
27/a	ELE0009122		
27/b	ELE0009123	PORTASTARTER 11/L UL	
28/a	ELE0009109	STARTER	
28/b	ELE0009118	STARTER	
29	ELE0009121	LAMP HOLDER	
30	ELE0009018	L 8 W 20 LAMP	
31	0020035208		
32	0020035219		
100	0020035122R	PLASTIC COVER ASSEMBLY	assieme



Pos.	Code	Description
1/a	0020035654	UL SPECIAL EDITION DOOR
	0020035654CM	UL SPECIAL EDITION DOOR MERCEDES GREY RAL 9006
1/b	0020035651	SPECIAL EDITION DOOR
	0020035651CM	SPECIAL EDITION DOOR MERCEDES GREY RAL 9006
	0020035651NA	SPECIAL EDITION DOOR BLACK
2	0020035036	8-KEY KEYBOARD
3	0020035029	COIN BOX BLOCKING TAB
	0020035029CG	COIN BOX BLOCKING TAB LIGHT GREY RAL 7035
	0020035029CM	COIN BOX BLOCKING TAB MERCEDES GREY RAL 9006
	0020035029EC	COIN BOX BLOCKING TAB BROWN 1807C
	0020035029KB	COIN BOX BLOCKING TAB BRICK RED 153154
	0020035029NA	COIN BOX BLOCKING TAB BLACK
4	VIT0007109	BUSH
5		See table NEW ELECTRONIC CONTROL AND POWER LOGIC
6	0020035008	DISPLAY COVER
7	VIT0002452	TAPPING SCREW TCB 3.5 x 12
8	SER0000012	BOX 5 RAPID EXTENSION LOCK
9	0020035041	LOCK PLATE
10/a	0010020518	D.5 PIN
10/b	0010020519	KJS DOOR LOCK PIN
11/a	0020035054	LOCK PIN
12	0020035046	PIN STOP PLATE
13	0020035121	CUP SUPPORT BODY
	0020035121NA	CUP SUPPORT BODY BLACK
14	0020027081	CUP SUPPORT
	0020027081NA	CUP SUPPORT BLACK
15/a	0020027079	CUP SUPPORT BODY BOTTOM
	0020027079NA	CUP SUPPORT BODY BOTTOM BLACK
15/b	0020027080R	BLACK CUP SUPPORT WITH CONNECTION
16	0020035652	WATER COLLECTION TRAY
17	0020035653	WATER COLLECTION TRAY GRATE

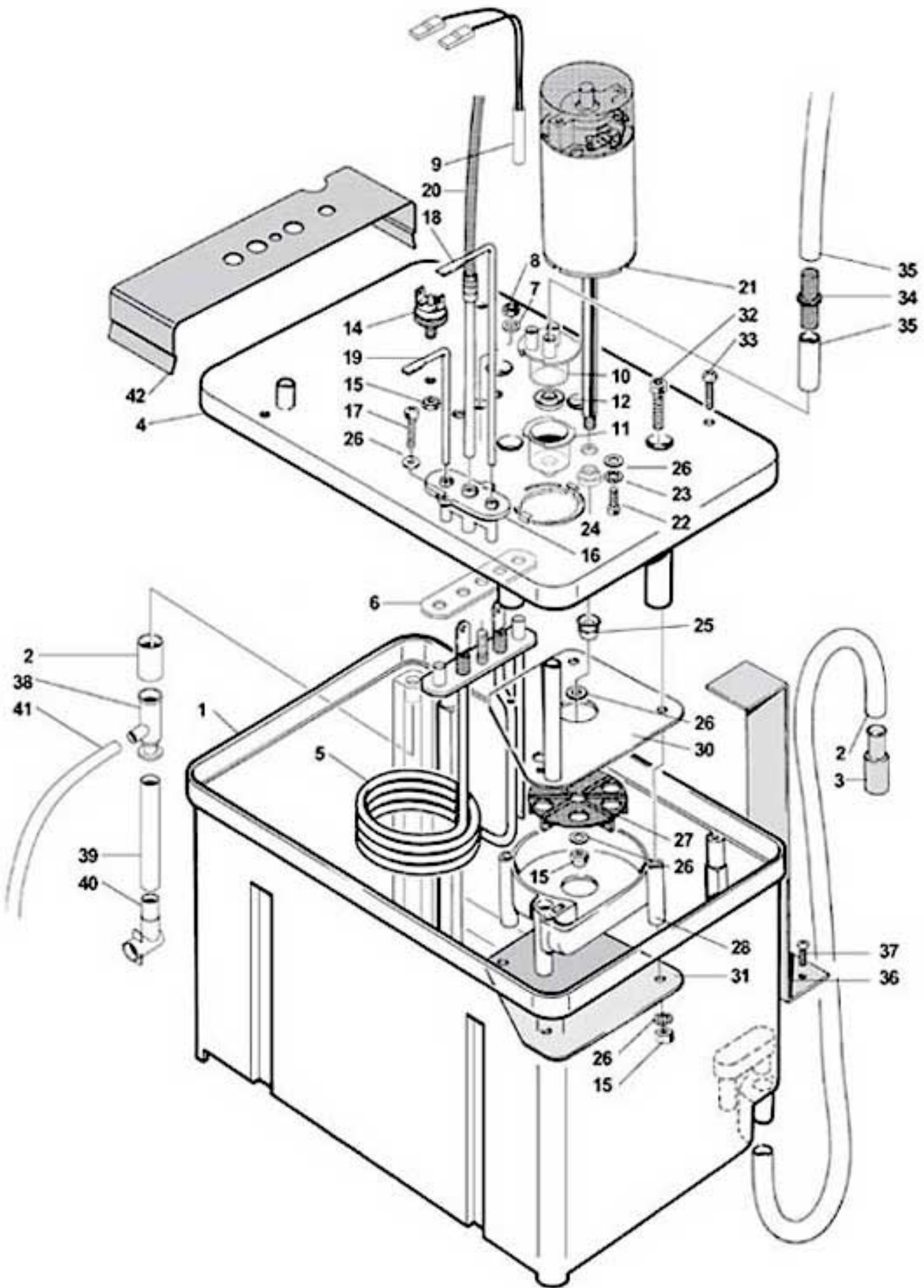


Pos.	Code	Description
1	0230030500	INGREDIENT CONTAINER MM54 H190 WITH PINS
2	0230030236	MIXER GEAR
3	0230030012	AUGER PIN
4	GUA0000083	GASKET 123
5/a	0230030014	AUGER P.18
5/b	0230030013	AUGER P.9
6	VIT0005301	ELASTIC PIN D.2 x 14
7	0230030011	REAR BUSH
8	0230030520	INGREDIENT CONTAINER MM110 H190 WITH PINS
9	0230030237	MIXER GEAR mm.110
10/a	0230030041	INGREDIENT MIXER 112 mm
10/b	0230030042	INGREDIENT MIXER 112 mm LEFT OUTLET
11	VIT0003210	STAINLESS STEEL FLAT WASHER D. 8.4 x 14 x 1.6
12	0230030156	CONTAINER COVER 54 mm.
13	0230030158	CONTAINER LID 110 mm.
14/a	0230030058R	RIGHT PRODUCT FEEDER (BIG HOLE)
14/b	0230030044R	RIGHT PRODUCT FEEDER (SMALL HOLE)
15/a	0230030057R	LEFT PRODUCT FEEDER (BIG HOLE)
15/b	0230030043R	LEFT PRODUCT FEEDER (SMALL HOLE)
16	0230030059R	FRONTAL FEEDER (BIG HOLE)
17	0230030052	ANTIBRIDGING
18	0230030239	GEAR PIN FORK
19	0230030238	GEAR ROTATION PLUG
100	0230030522R	INGREDIENT CONTAINER 110MM H190 WITH PINS-AUGER 18-RIGHT OUTLET-WITH LID
101	0230030525R	INGREDIENT CONTAINER 110MM H190 WITH PINS-AUGER 18-LEFT OUTLET-WITH LID
102	0230030506R	INGREDIENT CONTAINER 54 H190- WITH PINS-AUGER 18-WITH LID
103	0230030502R	INGREDIENT CONTAINER 54 H190- WITH PINS-AUGER 9-WITH LID
104	0230030500R	INGREDIENT CONTAINER MM54 H190 WITH PINS ASSEMBLED POS. 1+2+18+19
105	0230030520R	INGREDIENT CONTAINER MM110 H190 WITH PINS ASSEMBLED POS. 8+9+18+19

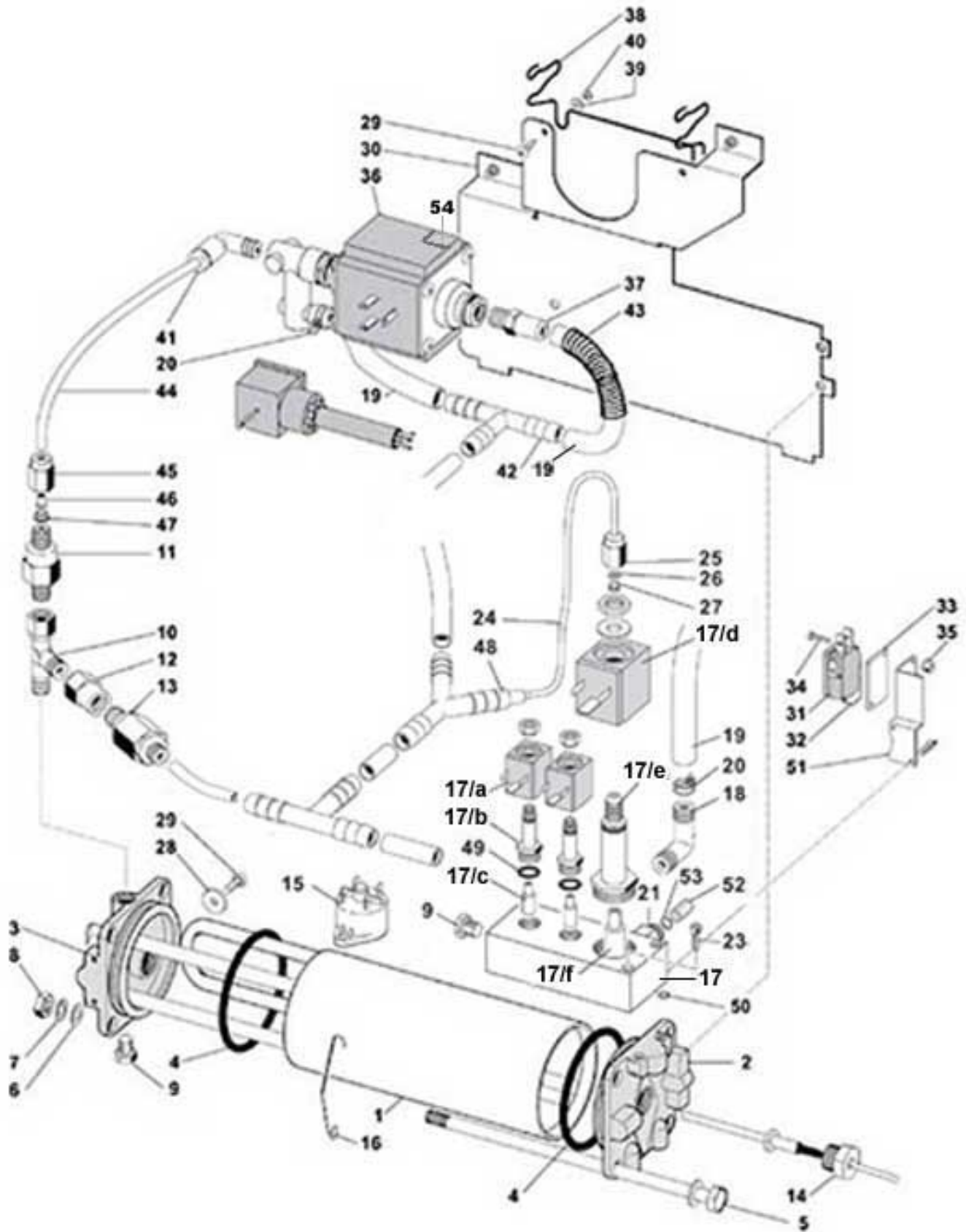


XS - H2O TANK FOR AUTONOMOUS VERSION

Pos.	Code	Description	
1	0800012005PF	SKY BLUE WATER TANK	
2	0800012009	WATER TANK CLOSING PIN	
3	0800012012	CLOSING PIN SPRING	
4	0800012008	WATER TANK GASKET SUPPORT	
5	GUA0000082	SILICONE GASKET D.6	
6	GUA0002008	SILICONE GASKET DE 062	
7	0230030009	CONTAINER COVER 112 mm.	
8	0800012015	FIXED TANK CONNECTION	
9	TSIL07/11T	TRANSPARENT SILICONE PIPE D.7 x 11	
10	0100217009	RUBBER HOLDER DIR. D.10-1/4 M	
11	0110001078	24 D.C. 2-WAY VALVE 1/4" D. 4.5	
11/a	0110010065	8W 24 D.C. COIL	
11/b	0110010101	SLEEVE FOR 2-WAY VALVE D. 4.5	
11/c	0110010102	CORE WITH SPRING FOR 2-WAY VALVE D. 4.5	
12	VIT0000205	SCREW TE M4x10	
13	VIT0003301	WASHER D.12 x 4.3 x 1.5	
14	0010020063	PIPE SPRING	
100	0800012010R	AUTONOMOUS WATER TANK (FROM POS.1 TO POS.7)	assieme

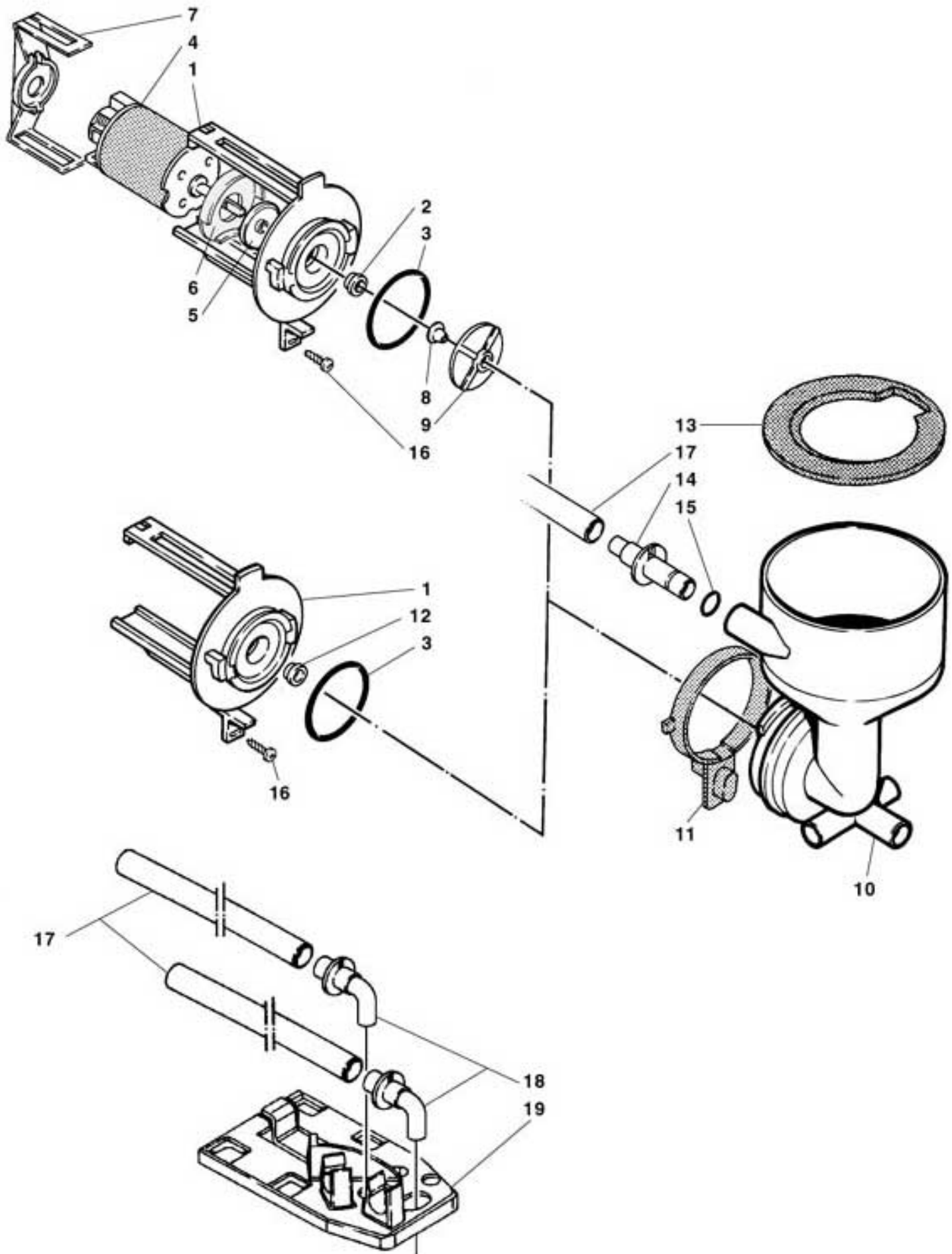


Pos.	Code	Description	
1	0600016008	BOILER TANK	
2	TSIL10/14T	TRANSPARENT SILICONE PIPE D.10 x 14	
3	650001057	DISCHARGE PLUG	
4/a	0600016073R	BOILER COVER PLUG	*
4/b	0600016173	UL BOILER COVER	
5/a	0600016067	1300W 230 V HEATING ELEMENT Up to serial 02019999	
5/b	0600016136	1600W 230V HEATING ELEMENT WITH INTEGRATED THERMOFUSE From serial 02020001	
5/c	0600016068	1100 W 120 V HEATING ELEMENT WITH THERMOFUSE	
5/d	0600016066	1100 W 120 V HEATING ELEMENT	
5/e	0600016069	1100 W 100 V HEATING ELEMENT WITH THERMOFUSE	
6/a	0600016084	HEATING ELEMENT GASKET FOR 230V VERSION	
6/b	0600016017	HEATING ELEMENT GASKET FOR 100V VERSION	
7	VIT0003203	STAINLESS STEEL FLAT WASHER D.5.3 x 10 x 1	
8	VIT0004804	STAINLESS STEEL NUT M5	
9	ELE0003026CL	121° THERMOFUSE ASSEMBLY	
10	0600016071	TRIPLE FITTING	
11	0600016072	TRIPLE FITTING BOTTOM	
12	GUA0002008	SILICONE GASKET DE 062	
14/a	ELE0000965	MANUAL RESET THERMOSTAT 88°C	
14/b	ELE0000964	MANUAL RESET THERMOSTAT 135°C	
15	VIT0004816	STAINLESS STEEL NUT M4	
16	0600016059	PROBE SUPPORT	
17	VIT0001005	SCREW T.C.B. M 4 x 12	
18	0600016053	WATER PROBE	
19	0600016054	MAX WATER LEVEL PROBE	
20	ELE0000963R	SOLUBLE PROBE+CONTACTS	
21/a	0090003031	MOTOR PUMP 24 V	
21/b	0090003032	MOTOR PUMP 24 V + ENCODER	
22	VIT0001009	STAINLESS STEEL SCREW T.C.B. M 4 x 16	
23	VIT0003454	STAINLESS STEEL EXTERNAL tab D.4	
24	0080001005	STAINLESS STEEL FLAT BUSH	
25	GUA0001006	MIXER SHAFT GASKET	
26	VIT0003211	STAINLESS STEEL FLAT WASHER D.4,3 x 9 x 0,8	
27	0110030026	PUMP WHEEL	
28	0110030025	PUMP BODY	
30	0600016045	UPPER PUMP COVER WITH PIPE	
31	0600016048	LOWER PUMP COVER	
32	VIT0005527	SCREW T.C.E.I. M 4x40 INOX	
33	VIT0002461	SCREW TCCRT 4,2 x 26	
34	0600016023	COFFEE CONNECTION	
35	TSIL06/09T	TRANSPARENT SILICONE PIPE D.6 x 9	
36	0010020032	BOILER SECURING PLATE	
37	VIT0002009	SCREW T.C.B. 3,5 x 6,5	
38	0600016028	"T" UNION	
39	TSIL07/11T	TRANSPARENT SILICONE PIPE D.7 x 11	
40	0600016030	Overflow fitting	
41	TSIL05/08T	TRANSPARENT SILICONE PIPE D.5 x 8	
42	0600016002	CLOSURE COVER CLIP	
100	0600016172CLR	BOILER ASSEMBLY (from pos. 1 to 33 and from pos.38 to pos.42) 230V	assieme
101	0600016181CL	BOILER ASSEMBLY (from pos. 1 to 33 + 42) 120V	It's part of kit 0600016181CLR assieme
102	0600016131CL	BOILER ASSEMBLY 1100W 110V	
103	0600019192CL		
104	0600016073KIT	COVER BOILER KIT	

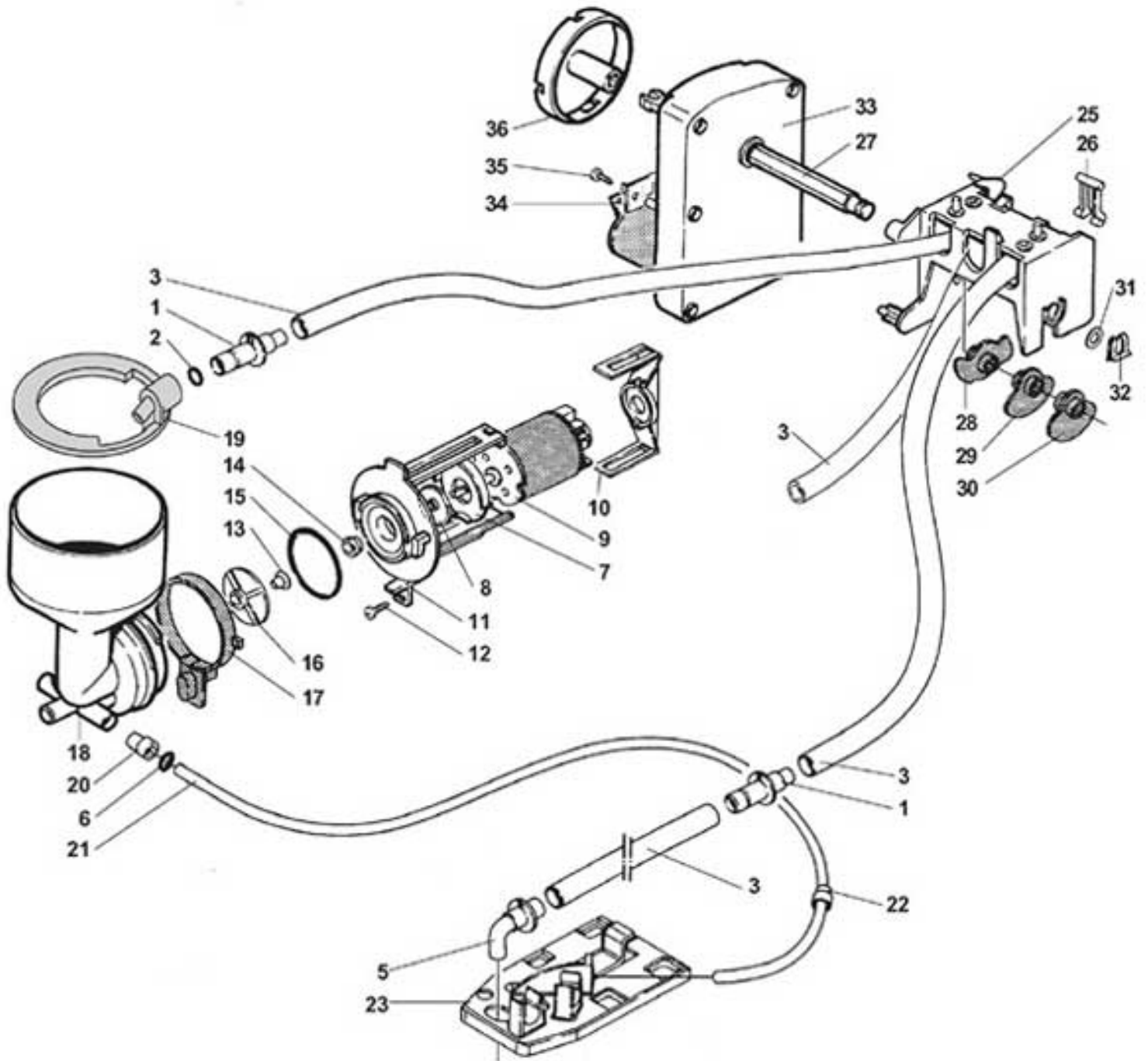


Pos.	Code	Description
1	0600012514	JACKET MM 150
2	0600012671	FLANGE FOR VALVE
3/a	0600012701	FLANGE WITH HEATING ELEMENT
3/b	0600012705	FLANGE WITH HEATING ELEMENT 1100W 120/60 FOR VERSION UL
4	GUA0000047	164 VITON OR
5	0600012515	TIE-BOLT MM 177
6	VIT0003206	D. 8.4x16x1.6 WASHER
7	VIT0003402	D. 8.4 GROWER SPRING WASHER
8	VIT0004506	M 8 NUT
9	4600020115	PLUG
10	0100001028	MALE T UNION 1/8-6-6
11	0110002012R	1/8M INLET - 1/8F OUTLET NON-RETURN VALVE
12		
13	0110002009	SAFETY VALVE
14/a	ELE0000969R	PROBE + ACCESSORIES
14/b	ELE0000969R0	PROBE
15/a	ELE0009001	120° CLICSON
15/b	ELE0009027	CLICSON 115° FOR VERSION UL
16/a	250020087	SAFETY SWITCH SECURING SPRING
16/b	0600012708	CLICSON CAMPINI SECURING SPRING FOR VERSION UL
17	0110001087	2 2-WAY VALVE + 1 3-WAY VALVE
17/a	0110010145	6W 24 D.C. COIL 70%
17/b	0110010123	2-WAY SLEEVE CH 14
17/c	0110010124	2-WAY MOBILE CORE ASSEMBLY
17/d	0110010065	8W 24 D.C. COIL
17/e	0110010035	3-WAY VALVE SLEEVE
17/f	0110010020	CORE WITH SPRING FOR 3-WAY VALVE
18	250020146	ELBOW CONNECTION
19	TSIL06/11T	TRANSPARENT SILICONE PIPE
20	FASC000110	PIPES CLIP
21	0110003056	OULET CONNECTION H20 3-WAY VALVE
22		
23	VIT0005510	4x16 TCEI SCREW
24	TTEF02/04T	D.2x4 PIPE
25	0100001001	NUT FOR 4-1/8 PIPE FITTING
26	0100002001	D.4 LOCKING RING
27	0100003002	COPPER GASKET
28	1600001098	SYNTHETIC RUBBER D.4.5 SPACER
29	VIT0000030	SCREW TCB M4 x 7
30	0010020411	BOILER SUPPORT
31	ELE0001522	1-WAY 16 A 250 V MICROSWITCH
32	ELE0001911	161A R 25.4 LEVER
33	4600010014	MICRO SPACER
34	VIT0000007	M 3x20 TCB SCREW
35	VIT0004701	M3 FR NUT
36/a	0110004002R	ELECTROMAGNETIC PUMP 12 bar FOR COFFEE BEANS GROUP D. 36
36/b	0110004027	ELECTROMAGNETIC PUMP 12 bar 110V
36/c	0110004021	230V 50 HZ PUMP FOR XS CABINET FOR COFFEE BEANS GROUP D. 40
36/d	0110004024	120V 60 HZ PUMP FOR XS CABINET FOR COFFEE BEANS GROUP D. 40
37	2500001139	VALVE RUBBER-HOLDER CONNECTION
38/a	0110004020	PUMP SUPPORT FOR COFFEE BEANS GROUP D. 36
38/b	0110004038	ELECTROMAGNET PUMP SUPPORT FOR COFFEE BEANS GROUP D. 40
39	VIT0003301	WASHER D.12 x 4.3 x 1.5
40	VIT0004503	NUT M 4
41	0100001056	TURNING ELBOW 6-1/4 VITON OR
42	0100003003	TEE UNION
44	TNAY000001	D.6*4 POLYAMIDE PIPE
45	0100001002	NUT FOR PIPE FITTING D.6
46	0100002005	STRENGTHENING BUSH D.4
47	0100002002	LOCKING RING D.6
48	0100001065	'Y' FITTING
49	0110010111	OR R 990597/N
50	0110010112	OR R 990002/S
51	0110003059	MICRO SUPPORT
52	0110003057	OR SPACER
53	GUA0000069	2015 OR
54	ELE0000915	THERMIC PROTECTION FOR COFFEE BEANS GROUP D. 40
100	0600012710R	mm 150 BOILER (FROM POS.1 TO POS.14)
101	0600012706R	120/60 mm 150 BOILER

assieme

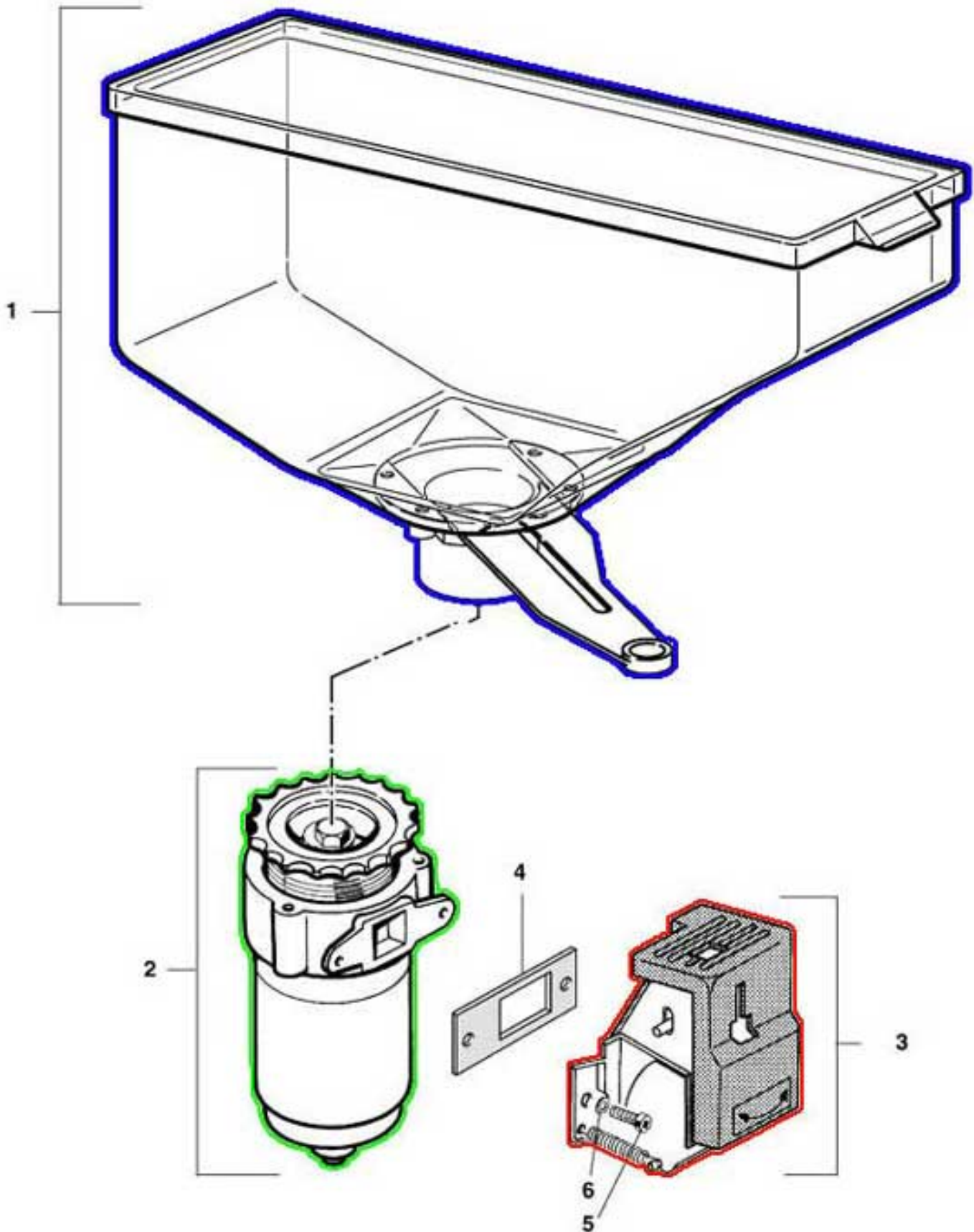


Pos.	Code	Description	
1	0080100005	MIXER BASE	
2	0080100015	MIXER BASE BUSH	
3	GUA0000084	GASKET 3131	
4	0090003023	24 V DC MIXER MOTOR SHAFT D.4	
5	0080100024	DRIP TRAP FAN	
6	0080100023	MIXER COVER	
	0080100023IC	MIXER COVER ORANGE RAL 2011	
7	0080100009	MOTOR CONNECTION COVER	
	0080100009IC	MOTOR CONNECTION COVER ORANGE RAL 2011	
8	0080100014	MIXER GASKET - SHAFT D.4	
9	0080100011	SMALL FAN MIXER SHAFT D.4	
	0080100011PL	SMALL FAN MIXER SHAFT D.4 OVERSEAS BLUE RAL 5002	
10	0080100007	MIXER BODY WITH INLET	
11	0080100006	STOPPER RING	
	0080100006IC	STOPPER RING ORANGE RAL 2011	
12	0080100018	MIXER BASE PLUG	
13	0080100008	MIXER TRAP WITHOUT INLET	
14	0080100013	MIXER CONNECTION	
15	GUA0000085	SILICONE GASKET 106	
16	VIT0002401	SCREW TCB 3.5 x 9.5	
17	TSIL06/11T	TRANSPARENT SILICONE PIPE	
18	0010020052	SPOUT DELIVERY	
19/a	0010020409	PIPES SUPPORT	
19/b	0010020051	SUPPORT FOR PRODUCT PIPE	
100	0080100001R	MIXER BASE+MOTOR ASSEMBLY	assieme
101	0080100018CL	MIXER BASE + PLUG	



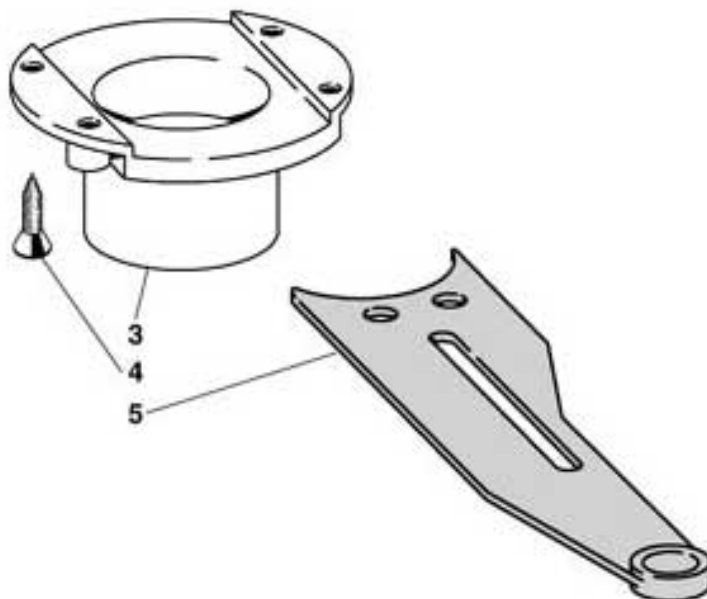
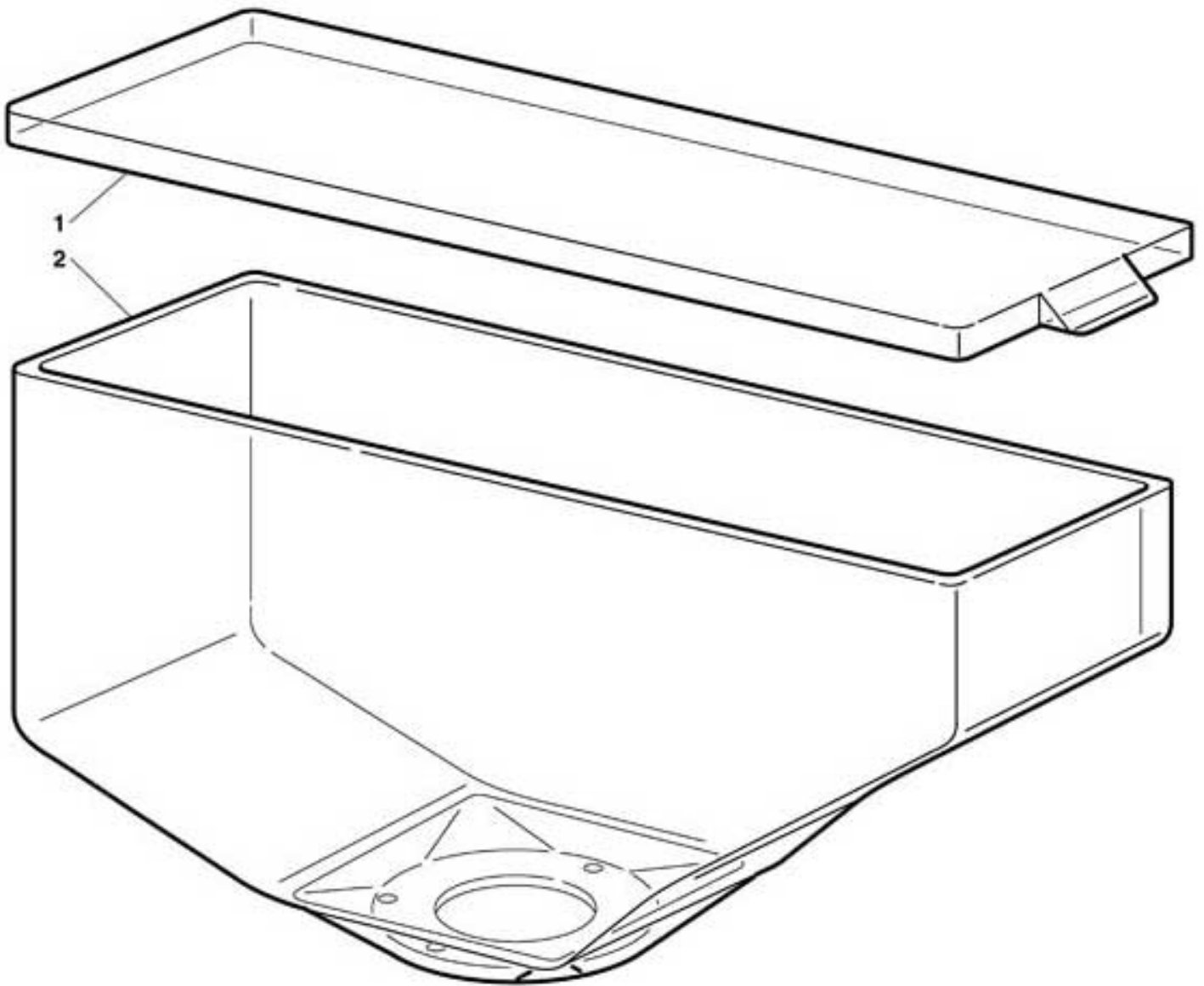
XS - CAMS MIXER AND DISPENSER

Pos.	Code	Description	
1/a	0080100013	MIXER CONNECTION Up to serial Fino a 0201999)	
1/b	0080100043	WATER OUTLET From serial (Da 02020001)	
2	GUA0000085	SILICONE GASKET 106	
3	TSIL06/09TC	TRANSPARENT SILICONE PIPE D.6x9	
4			
5/a	0010020052	SPOUT DELIVERY	
5/b	0010020058	COFFEE OUTLET PIPE	
6	GUA0000087	SILICONE 2025 OR	
7	0080100023	MIXER COVER	
	0080100023IC	MIXER COVER ORANGE RAL 2011	
8	0080100024	DRIP TRAP FAN	
9	0090003023	24 V DC MIXER MOTOR SHAFT D.4	
10	0080100009	MOTOR CONNECTION COVER	
	0080100009IC	MOTOR CONNECTION COVER ORANGE RAL 2011	
11	0080100005	MIXER BASE	
12	VIT0002401	SCREW TCB 3.5 x 9.5	
13	0080100014	MIXER GASKET - SHAFT D.4	
14/a	0080100015	MIXER BASE BUSH	
14/b	0080100018	MIXER BASE PLUG	
15	GUA0000084	GASKET 3131	
16	0080100011	SMALL FAN MIXER SHAFT D.4	
	0080100011PL	SMALL FAN MIXER SHAFT D.4 OVERSEAS BLUE RAL 5002	
17	0080100006	STOPPER RING	
	0080100006IC	STOPPER RING ORANGE RAL 2011	
18/a	0080100007	MIXER BODY WITH INLET Up to serial (Fino a 0201999)	
18/b	0080100041	MIXER WITH BODY From serial (Da 0202001)	
	0080100041PL	MIXER WITH BODY From serial (Da 0202001) OVERSEAS BLUE RAL 5002	
19/a	0080100008	MIXER TRAP WITHOUT INLET Up to serial (Fino a 0201999)	
19/b	0080100042	MIXER RING WITH INLET PIPE From serial (Da 0202001)	
	0080100042PL	MIXER RING WITH INLET PIPE From serial (Da 0202001) OVERSEAS BLUE RAL 5002	
20/a	0080100016	INSTANT COFFEE REDUCTION D.2,5	
20/b	0080100019	COFFEE OUTLET REDUCTION D.4	
21	TTEF04/06T	D.6*4 PIPE FOR FOODSTUFFS	
22	0100002015	SMOOTH LOCKING RING D.6	
23/a	0010020051	SUPPORT FOR PRODUCT PIPE	
23/b	0010020057	INOX SUPPORT FOR PRODUCT PIPE + H2O	
23/c	0010020267	SUPPORT FOR PRODUCT PIPE + H2O	
24			
25	0110030005	CAM SUPPORT	
26	0110030013	CLOSING LEVER	
27	0110030006	SHAFT FOR CAMS	
28	0110030008	CAM 2	
29	0110030009	CAM 3	
30	0110030007	CAM 1	
31	VIT0003010	WASHER D.8 x 14 x 0,5	
32	VIT0009162	STOP CLIP D.8	
33	0090002109	24V D.C. GEAR MOTOR 24 R.P.M.	
34	SCH0003700	CAM PIPE SENSOR	
35	VIT0002452	TAPPING SCREW TCB 3.5 x 12	
36	0110030015	POSITION DISK	
100	0110030001R	XS-H CAM DISPENSER (from pos. 25 to pos. 36)	assieme
101	0080100001R	MIXER BASE+MOTOR ASSEMBLY	assieme
102	0080100005R	MIXER MOTOR ADAPTATION KIT (pos. 7+8+11+13+14+15+16)	assieme
103	0080100007R	MIXER BODY + RING STOPPER	
104	0010020056R	OUTLET PIPE FOR COFFEE ASSEMBLY	
105	0010020058KIT	OUT LONG COFFEE KIT	assieme
106	0080100018CL	MIXER BASE + PLUG	



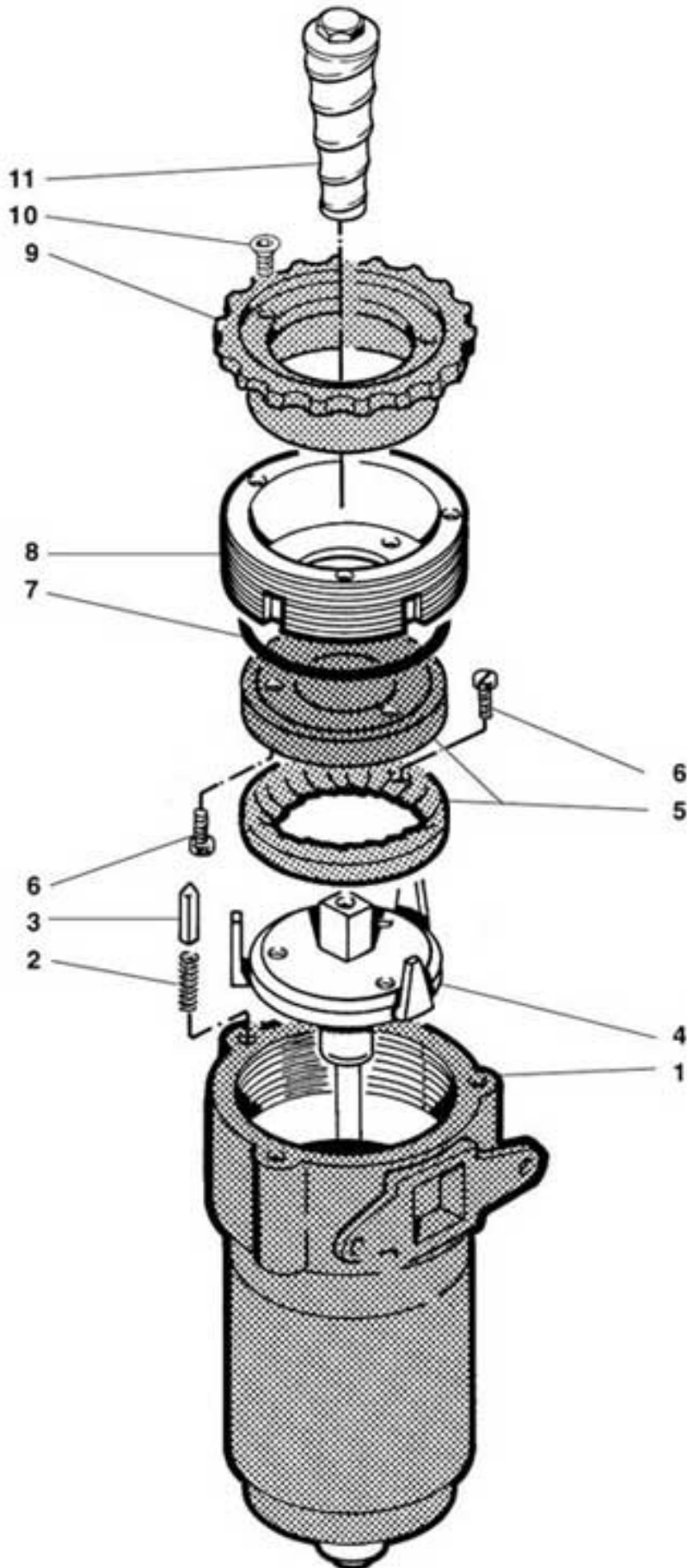
XS - CONTAINER BATCHER GRINDER GROUP

Pos.	Code	Description
1		See table COFFEE BEANS CONTAINER GROUP
2		See table VERTICAL MILL GROUP
3		See table PL BATCHER GROUP WITH SETTING
4	0320004141	MILL-BATCHER PLATE
5	VIT0000013	M 4x12 TCB SCREW
6	VIT0003103	WASHER tab D. 4.3

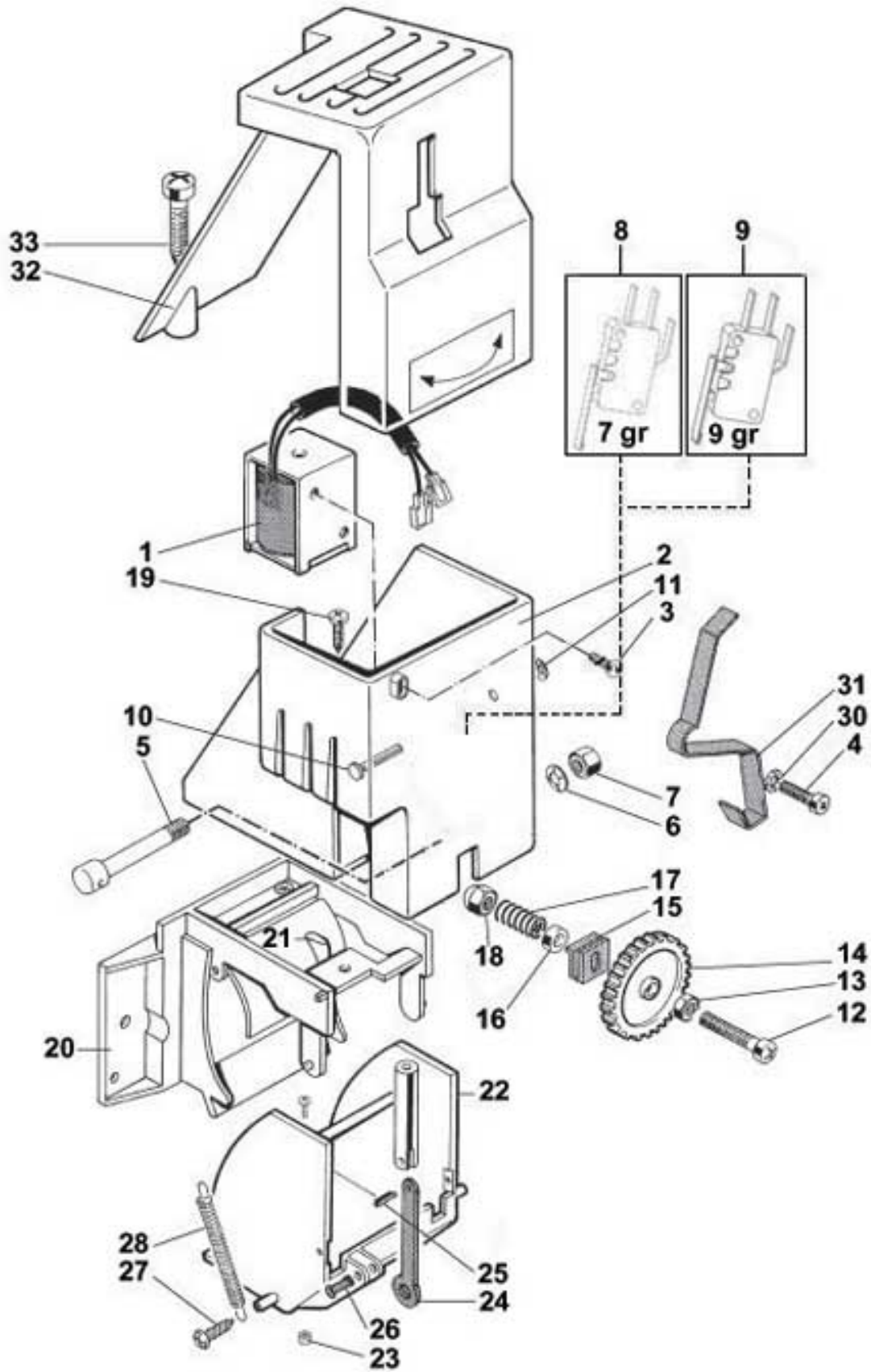


XS - COFFEE BEANS CONTAINER GROUP

Pos.	Code	Description	
1	0230015159	COFFEE CONTAINER COVER	
2	0230015158	COFFEE CONTAINER	
3	0230015066	COFFEE CONTAINER BOTTOM	
	0230015066NA	COFFEE CONTAINER BOTTOM BLACK	
4	VIT0002104	2.9x 13 STAINLESS STEEL TAPPING TCB SCREW	
5	0230015207	COFFEE CONTAINER BLADE	
	0230015207IC	COFFEE CONTAINER BLADE ORANGE RAL 2011	
100	0230015158R	COFFEE CONTAINER ASSEMBLED	assieme

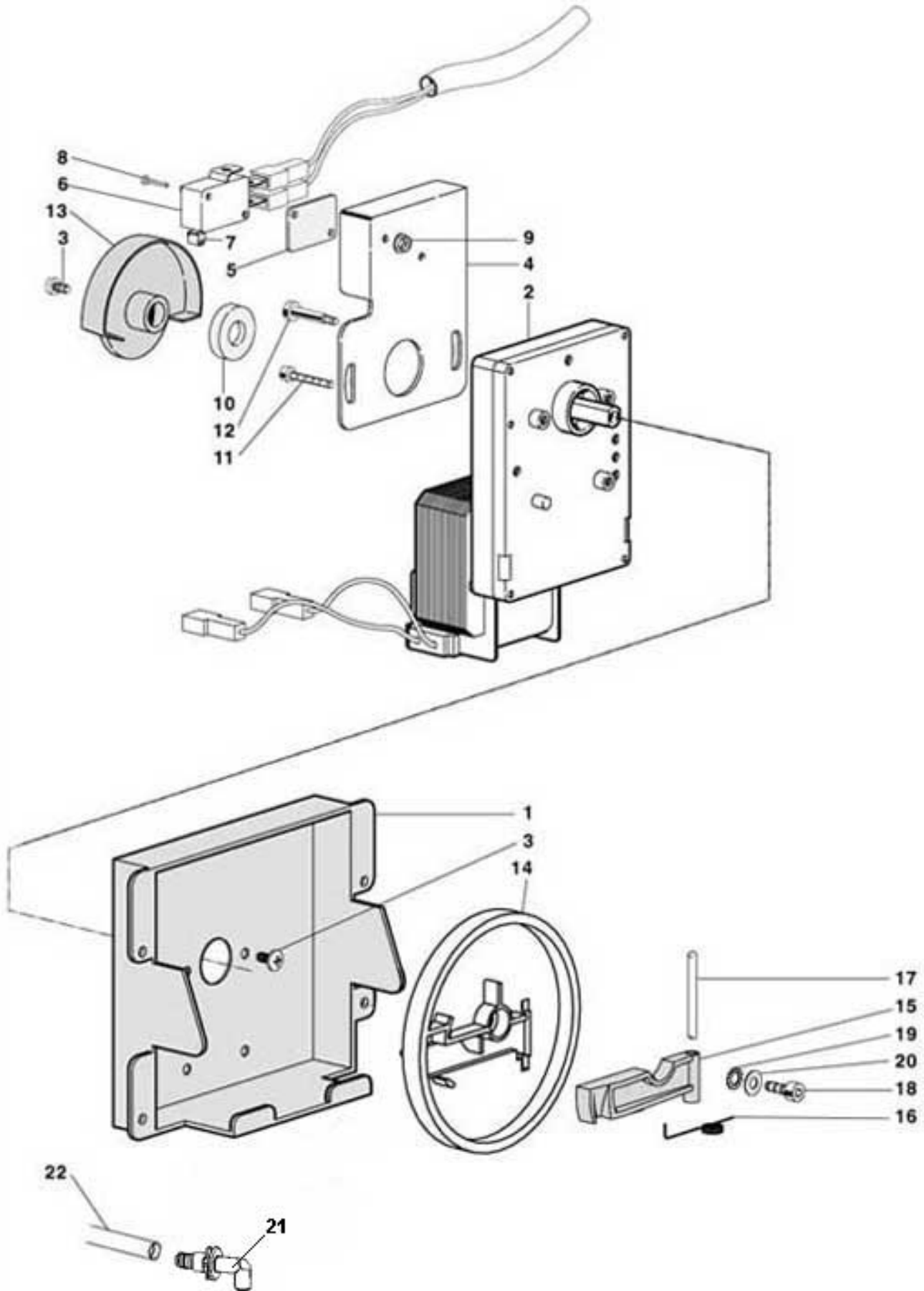


Pos.	Code	Description	
1	0090002099	MOTOR WITH GRINDER	It's part of kit 0320004150CL
2	270001023	SPRING	
3	0320002011	COMPENSATING PIN	
4	0320004107	LOWR GRINDER SUPPORT	
5	0090003033	D.54 TYPE 4 GRINDER COUPLE	
6	VIT0000024	M 4x8 TCB SCREW	
7	GUA0000060	3225 OR	
8	0320004109	UPPER GRINDER SUPPORT	
9	0320004112GD	GRINDER SUPPORT RING NUT	
10	VIT0000102	M 3x10 TSP SCREW	
11	0320004116	LOWER GRINDER SUPPORT WORM SCREW	
100	0320004150CL	E MILL ASSEMBLY	assieme



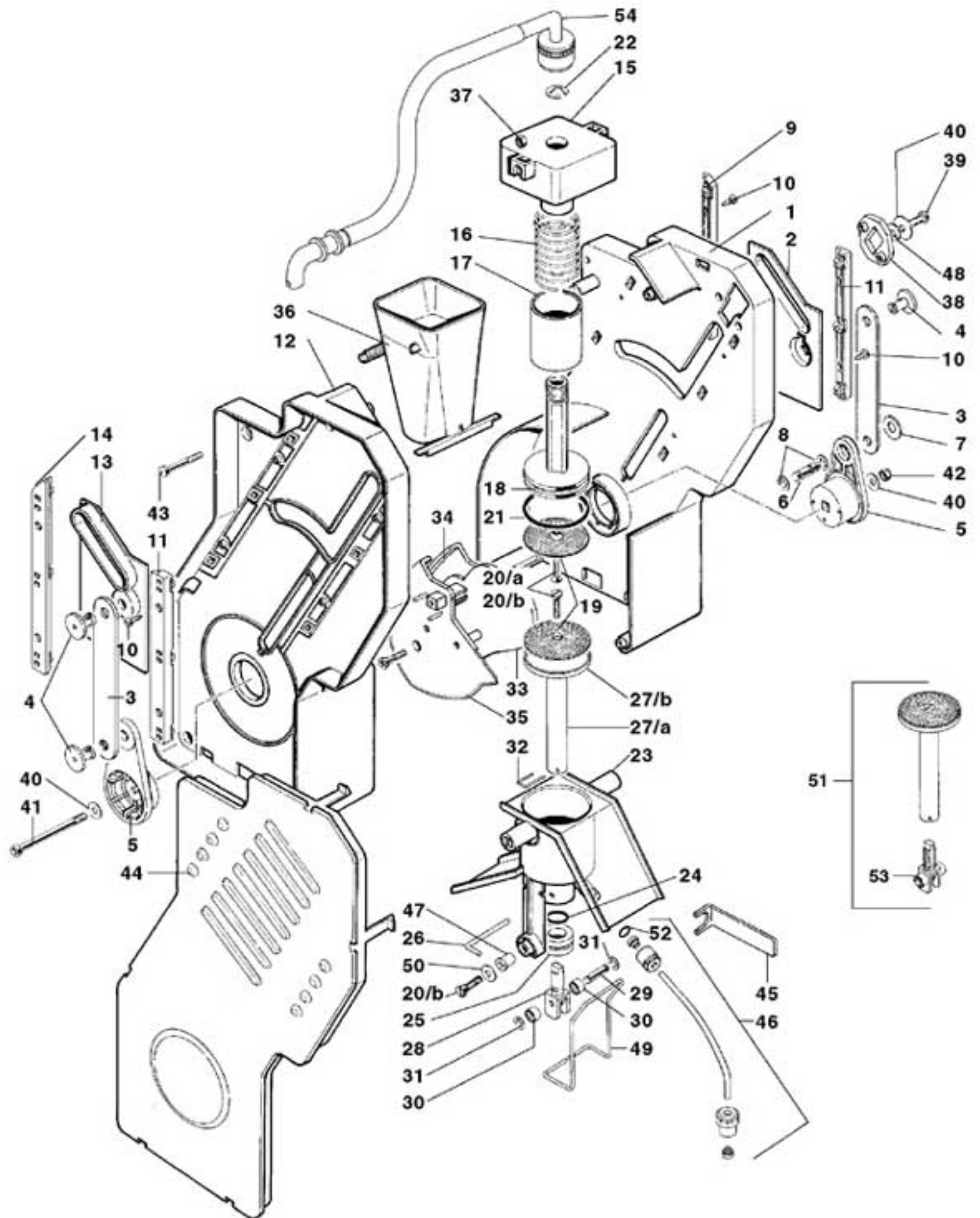
XS - PL BATCHER GROUP WITH SETTING

Pos.	Code	Description	
1	ELE0000056	24V DC ELECTROMAGNET W/CABLES	
2	0350003136	ELECTROMAGNET SUPPORT	
	0350003136NA	ELECTROMAGNET SUPPORT BLACK	
3	VIT0000028	M 3x14 TCB SCREW	
4	VIT0000005	M 3x12 TCB SCREW	
5	0350003114	SETTING PIN	
6	VIT0009161	D.3.2 x 8 x 0.4 SPRING	
7	VIT0004814	M.3 SELFLOCKING NUT	
8	0350003112R	MICRO WITH FRONT POSITION LEVER 7 GR	
8/a	ELE0001522	1-WAY 16 A 250 V MICROSWITCH	
8/b	0350003121	MICRO LEVER	
9	035000312R	MICRO WITH CENTRAL POSITION LEVER 9 GR	
9/a	ELE0001522	1-WAY 16 A 250 V MICROSWITCH	
9/b	0350003121	MICRO LEVER	
10	0350003112	ROTATION PIN	
11	VIT0007101	D.3 BENZING-QUICKLOCK	
12	VIT0000009	M 3x30 TCB SCREW	
13	VIT0004502	M3 NUT	
14	0350003113	WEIGHT SETTING WHEEL	
	0350003113NA	WEIGHT SETTING WHEEL BLACK	
15	0350003122	CONNECTION TO BE TIGHTENED	
16	7500102053	MICRO SPACER	
17	0350003115	SETTING SPRING	
18	VIT0004813	M.3 CAP NUT	
19	VIT0002011	2.9x 9.5 TAPPING TCB SCREW	
20	0350003105	BATCHER BODY	
	0350003105NA	BATCHER BODY BLACK	
21/a	0350003106	BLADE Up to serial 04539999	
21/b	0350003314	BLADE From serial 05010001	
	0350003314NA	BLADE From serial 05010001 BLACK	
22	0350003301	COFFEE FEEDER	
	0350003301NA	COFFEE FEEDER BLACK	
23	0350003302	SHAKER	
24	0350003126	ELECTROMAGNET CONNECTING ROD	
	0350003126NA	ELECTROMAGNET CONNECTING ROD BLACK	
25	VIT0005105	2 x 8 STAINLESS STEEL ELASTIC PIN	
26	0350003111	PIN	
	0350003111NA	PIN BLACK	
27	VIT0002001	TCB 2.9x 6.5 TAPPING SCREW	
28	0350003129	RETURN SPRING	
29			
30	VIT0003102	WASHER tab D. 3.2	
31	0350003124	BATCHER LOCK	
32	0350003128	COVER	
33	VIT0002469	SCREW TC 3.5 x 10	
100	0350003110CL	24 V DC COFFEE PLASTIC BATCHER W/SETTING	assieme
101	0350003310CL	24 V DC COFFEE PLASTIC BATCHER 9gr	



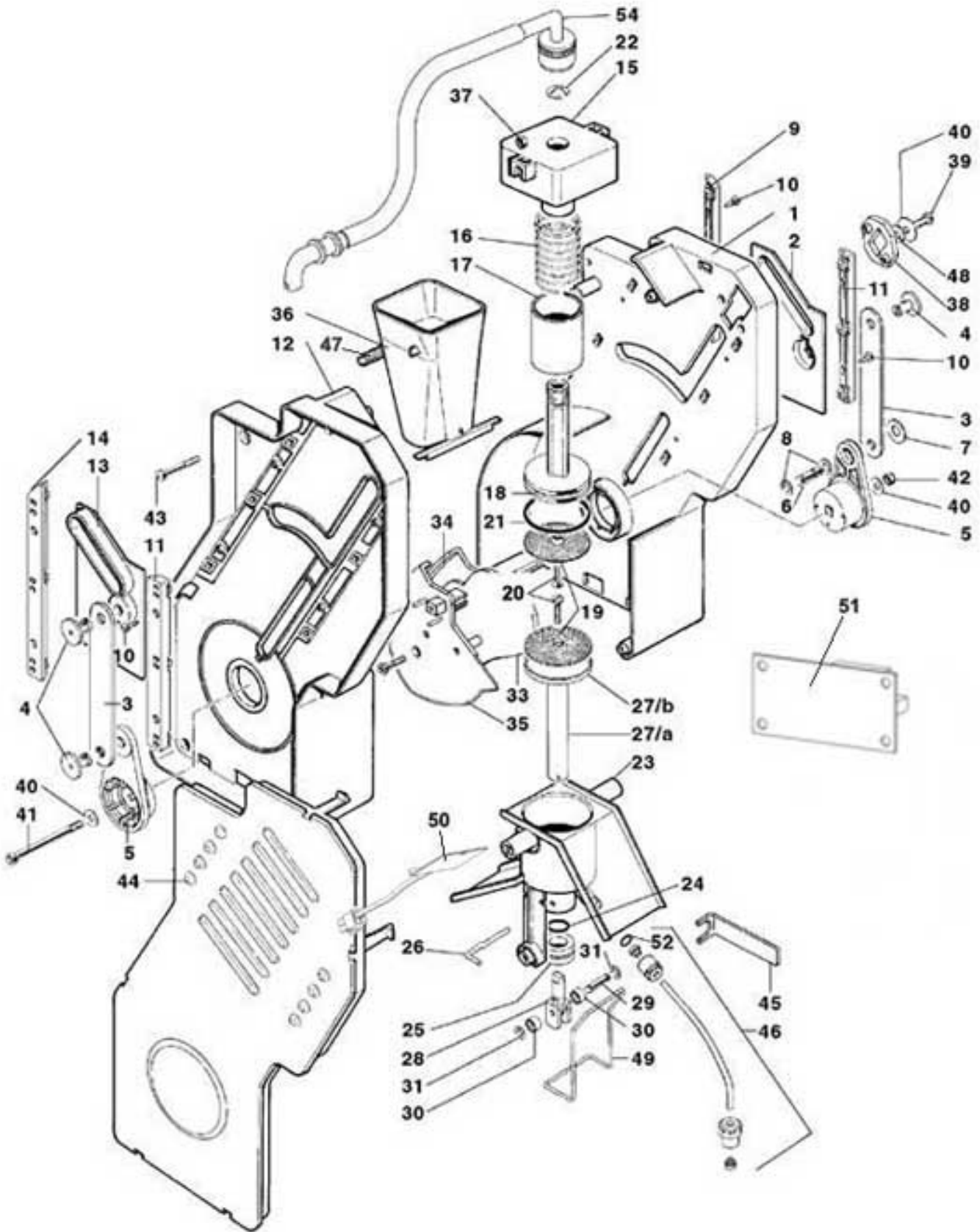
XS - MICRO COFFEE GROUP MOTOR SUPPORT

Pos.	Code	Description	
1	0260010102	MICRO GROUP MOTOR SUPPORT	
	0260010102CK	MICRO GROUP MOTOR SUPPORT DUST GREY RAL 7037	
	0260010102KE	MICRO GROUP MOTOR SUPPORT FIRE RED RAL 3000	
2/a	0090002186	MICRO GROUP MOTOR	
2/b	0090002189	MICRO GROUP MOTOR 115/60 UL FOR VERSION UL	
3	VIT0000030	SCREW TCB M4 x 7	
4	0250008093	MICRO PLATE	
5	4600010014	MICRO SPACER	
6	ELE0001528	MICRO 83.161.832	
7	ELE0001904	MICRO LEVER	
8	VIT0000007	M 3x20 TCB SCREW	
9	VIT0004701	M3 FR NUT	
10	0250008091	MICRO SPACER	
11	0250008092	M4 SPECIAL SCREW	
12	VIT0005511	4x10 TCEI SCREW	
13	0250008043	GROUP READER DISK	
14	0250008012	MOTOR CRANK	
15	0250008034	HOOKING LEVER	
16	0250008059	SPRING FOR HOOKING LEVER	
17	VIT0005205	4 x 40 CYLINDRICAL PIN	
18	VIT0005508	4x12 TCEI SCREW	
19	VIT0003103	WASHER tab D. 4.3	
20	VIT0003003	WASHER D.8 x 4.3 x 0.8	
21	0080100084	90° CONNECTION	
22	TSIL07/11T	TRANSPARENT SILICONE PIPE D.7 x 11	
100	0260010110CL	MICRO COFFEE GROUP MOTOR SUPPORT	assieme
101	0260010192CL	120V UL MICRO COFFEE GROUP MOTOR SUPPORT	



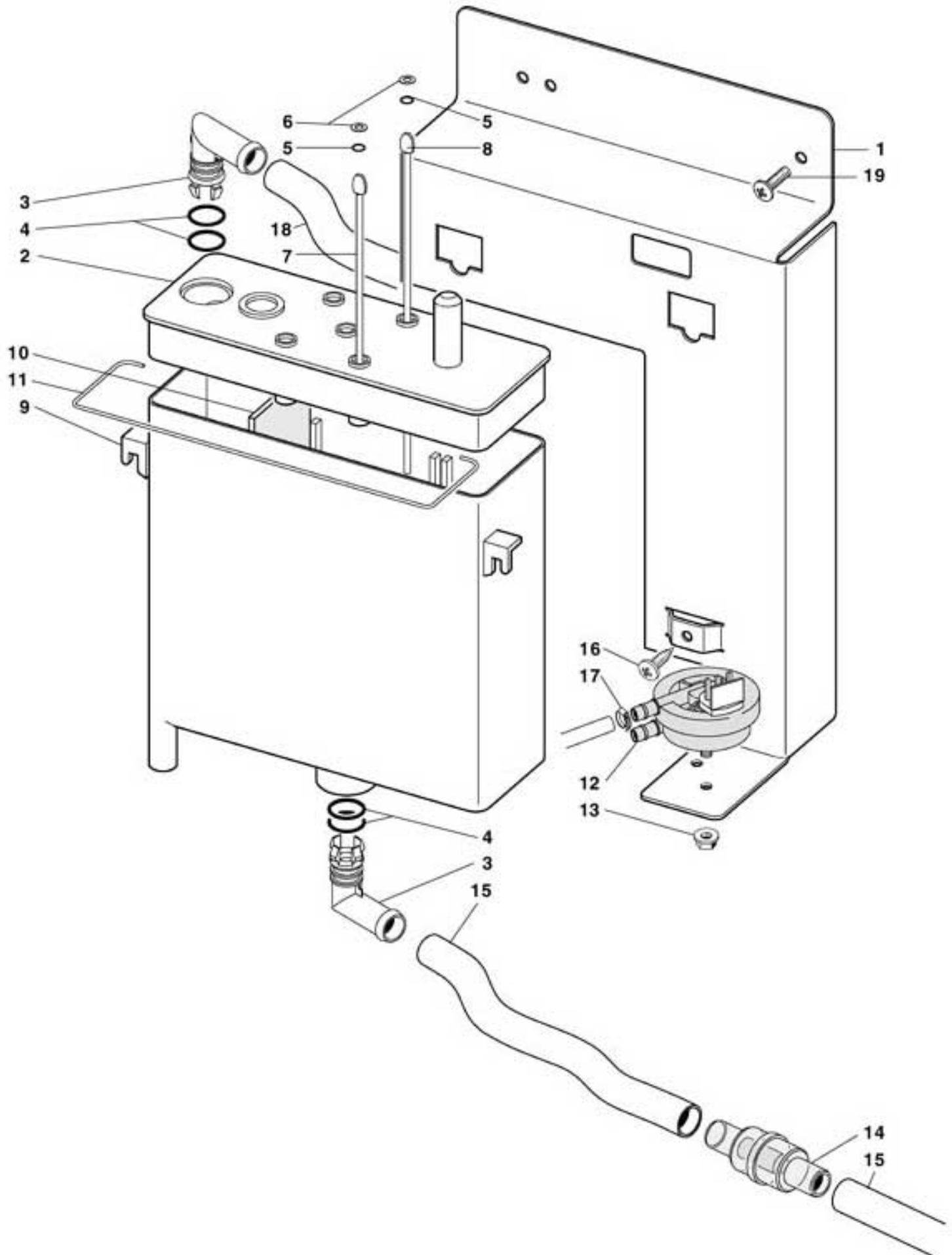
Pos.	Code	Description
1	0250008005	R.H. FRAME It's part of kit 0250008005R
2	0250008084	R.H. INFUSION CHAMBER CAM
3	0250008009	CONNECTING ROD
4	0250008028	PIN FOR CONNECTING ROD
5	0250008011	R.H. CRANK
6	0250008014	MOTOR CRANK PIN
7	0250008042	ANTIVIBRATION WASHER
8	VIT0006515	D.5 RADIAL STOP RING
9	0250008031	R.H. REAR GUIDE
10	VIT0002026	3.5x 6.5 STAINLESS STEEL TAPPING TCB SCREW
11	0250008033	FRONT GUIDE
12	0250008006	L.H. FRAME It's part of kit 0250008005R
13	0250008085	L.H. INFUSION CHAMBER CAM
14	0250008032	L.H. REAR GUIDE
15	0250008086	UPPER FILTER SUPPORT
16	0250008024	UPPER FILTER SPRING
17	0250008087	SPRING COVER PIPE
18/a	0250008026	D.36 UPPER FILTER FOR COFFEE BEANS GROUP D. 36
18/b	0250008208	D.40 UPPER FILTER FOR COFFEE BEANS GROUP D. 40
	0250008208IC	D.40 UPPER FILTER FOR COFFEE BEANS GROUP D. 40 ORANGE RAL 2011
19/a	0250008099	FILTER FOR COFFEE BEANS GROUP D. 36
19/b	0250008211	FILTER D.40 FOR COFFEE BEANS GROUP D. 40
20	VIT0000121	M 3x8 TSP SCREW
21/a	GUA0000080	SILICONE 4112 OR FOR COFFEE BEANS GROUP D. 36
21/b	GUA0000097	SILICONE 4131 OR FOR COFFEE BEANS GROUP D. 40
22	VIT0006513	D.8 STAINLESS STEEL INSIDE SEEGER
23/a	0250008046R	INFUSION CHAMBER FOR COFFEE BEANS GROUP D. 36
23/b	0250008206R	INFUSION CHAMBER D.40 FOR COFFEE BEANS GROUP D. 40
24	GUA0000065	SILICONE OR 112
25	0250008053	LOWER INLET CUP BUSH
26	0250008029	GLASS BUSH PIN
27/a	0250008108	FILTER SUPPORT SHFT It's part of kit 0250008108R
27/b	0250008122	LOWER FILTER FOR COFFEE BEANS GROUP D. 36
27/c	0250008209	LOWER FILTER D.40 FOR COFFEE BEANS GROUP D. 40
	0250008209IC	LOWER FILTER D.40 FOR COFFEE BEANS GROUP D. 40 ORANGE RAL 2011
28	0250008106	LOWER FILTER ROLL SUPPORT
29	0250008021	ROLL SHAFT
30	0250008022	ROLL SHAFT
31	VIT0006516	D.3.2 RADIAL STOP RING
33	0250008083	FILTER EJECTION CAM
34	0250008016	R.H. FILTER RECOVERY CAM
35	0250008017	L.H. FILTER RECOVERY CAM
36	0250008036	COFFEE CONE
37	VIT0004803	STAINLESS STEEL NUT M4
38	0250008035	SETTING PLATE
39	VIT0000032	M 4x8 INOX TCB SCREW
40	VIT0003309	4.3x16x1.5 STAINLESS STEEL FLAT WASHER
41	VIT0005523	4x60 STAINLESS STEEL TCEI SCREW
42	VIT0004810	M 4 SELFLOCKING NUT
43	VIT0002461	SCREW TCCCR 4,2 x 26
44	0250008039	L.H. FRAME COVER
	0250008039CM	L.H. FRAME COVER FOR COFFEE BEANS GROUP D. 40 MERCEDES GREY RAL 9006
	0250008039IC	L.H. FRAME COVER FOR COFFEE BEANS GROUP D. 40 ORANGE RAL 2011
45	0250008048	KEY FOR NUT
46	0250008110CL	WATER INLET PIPER ASSEMBLY
47	VIT0009203	M 3 CONNECTION FOR THERMOPLASTIC
48	VIT0003451	GROWER SPRING WASHER
50	0250008088	WASHER FOR CHAMBER CAM
51	0250008109R	D.36 LOWER FILTER+ROLL SUPPORT ASSEMBLY
52	GUA0000061	2010 VITON OR
53	0250008107R	LOWER FILTER ROLL SUPPORT
54	0250008070CL	COFFEE OUTLET PIPE ASSEMBLY
100	0250008001R	MICRO COFFEE GROUP FOR COFFEE BEANS GROUP D. 36
101	0250008201R	MICRO COFFEE GROUP D.40 FOR COFFEE BEANS GROUP D. 40
102	0250008026R	D.36 UPPER FILTER ASSEMBLY FOR COFFEE BEANS GROUP D. 36
103	0250008208R	D.40 UPPER FILTER ASSEMBLY FOR COFFEE BEANS GROUP D. 40
104	0250008108R	D.36 LOWER FILTER
105	0250008209R	D.40 LOWER FILTER ASSEMBLY
106	0250008210R	LOWER FILTER D.40+ SUPPORT ROLL ASSEMBLED

assieme

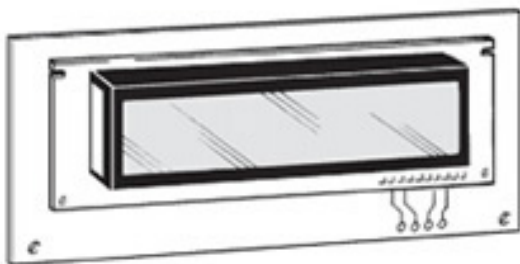
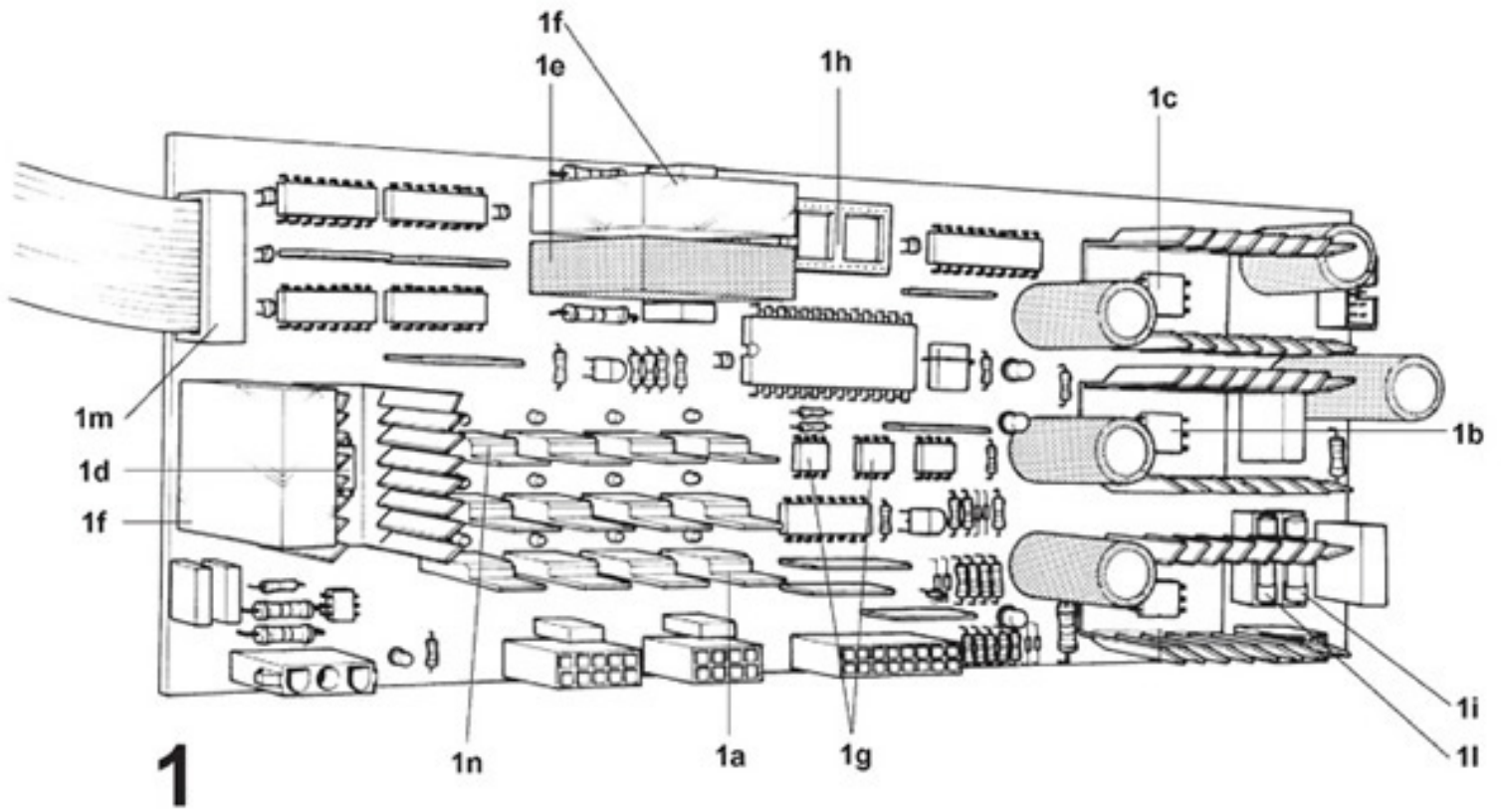


XS - HEATED MICRO COFFEE GROUP

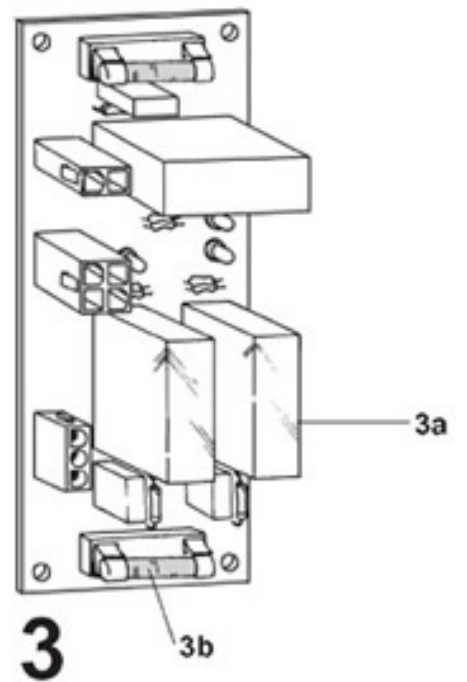
Pos.	Code	Description
1	0250008005	R.H. FRAME It's part of kit 0250008005R
2	0250008084	R.H. INFUSION CHAMBER CAM
3	0250008009	CONNECTING ROD
4	0250008028	PIN FOR CONNECTING ROD
5	0250008011	R.H. CRANK
6	0250008014	MOTOR CRANK PIN
7	0250008042	ANTIVIBRATION WASHER
8	VIT0006515	D.5 RADIAL STOP RING
9	0250008031	R.H. REAR GUIDE
10	VIT0002026	3.5x 6.5 STAINLESS STEEL TAPPING TCB SCREW
11	0250008033	FRONT GUIDE
12	0250008006	L.H. FRAME It's part of kit 0250008005R
13	0250008085	L.H. INFUSION CHAMBER CAM
14	0250008032	L.H. REAR GUIDE
15	0250008086	UPPER FILTER SUPPORT
16	0250008024	UPPER FILTER SPRING
17	0250008087	SPRING COVER PIPE
18	0250008026	D.36 UPPER FILTER
19	0250008019	FILTER
20	VIT0000121	M 3x8 TSP SCREW
21	GUA0000080	SILICONE 4112 OR
22	VIT0006513	D.8 STAINLESS STEEL INSIDE SEEGER
23	0250008215R	INFUSION CHAMBER WITH GROUNDS CHUTE
24	GUA0000065	SILICONE OR 112
25	0250008053	LOWER INLET CUP BUSH
26	0250008029	GLASS BUSH PIN
27/a	0250008108	FILTER SUPPORT SHFT It's part of kit 0250008108R
27/b	0250008122	LOWER FILTER
28	0250008226	ROLL SUPPORT
29	0250008021	ROLL SHAFT
30	0250008022	ROLL SHAFT
31	VIT0006516	D.3.2 RADIAL STOP RING
33	0250008083	FILTER EJECTION CAM
34	0250008016	R.H. FILTER RECOVERY CAM
35	0250008017	L.H. FILTER RECOVERY CAM
36	0250008036	COFFEE CONE
37	VIT0004803	STAINLESS STEEL NUT M4
38	0250008035	SETTING PLATE
39	VIT0000032	M 4x8 INOX TCB SCREW
40	VIT0003309	4.3x16x1.5 STAINLESS STEEL FLAT WASHER
41	VIT0005523	4x60 STAINLESS STEEL TCEI SCREW
42	VIT0004810	M 4 SELFLOCKING NUT
43	VIT0002461	SCREW TCCCRT 4,2 x 26
44	0250008039	L.H. FRAME COVER
	0250008039CM	L.H. FRAME COVER MERCEDES GREY RAL 9006
	0250008039IC	L.H. FRAME COVER ORANGE RAL 2011
45	0250008048	KEY FOR NUT
46	0250008110CL	WATER INLET PIPER ASSEMBLY
47	0250008119	SPRING
48	VIT0003451	GROWER SPRING WASHER
50	0250008213R	COMPLETE HEATING ELEMENT
51	SCH0006880	HEATING ELEMENT POWER BOARD
52	GUA0000061	2010 VITON OR
54	0250008070CL	COFFEE OUTLET PIPE ASSEMBLY
100	0250008220R	HEATED MICRO COFFEE GROUP D.36
101	0250008227R	ASSEMBLED LOWER FILTER ROLL SUPPORT (POS. 28-29-30-31)



Pos.	Code	Description
1	0010020119	TANK SUPPORT
2	0800008053	SOLUBLE TANK COVER
3	0800009211	ELBOW WITH RAPID CONNECTION
4	GUA0000043	OR 109
5	GUA0000061	2010 VITON OR
6	VIT0003212	STAINLESS STEEL FLAT WASHER D.3,2 x 7 x 0,5
7	800003022	PROBE mm 70
8	800003018	PROBE mm 155
9	0800009203	SOLUBLE TANK BODY It's part of kit 0800009201R
10	800000010	TANK INTERNAL WALL
11	800000035	COVER SECURING RING
12	0110007003	VOLUME COUNTER W/RUBBERHOLDER
13	VIT0004701	M3 FR NUT
14	0109002002	WATER FILTER
15	TSIL06/11T	TRANSPARENT SILICONE PIPE
16	VIT0002005	3.9x 9.5 TAPPING TCB SCREW
17	FASC000210	COLLAR
18	TSIL07/11T	TRANSPARENT SILICONE PIPE D.7 x 11
19	VIT0000012	SCREW T.C.B. M 4 x 10

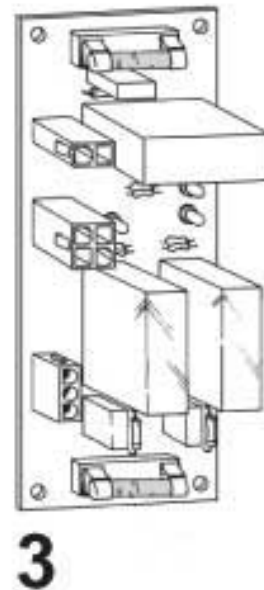
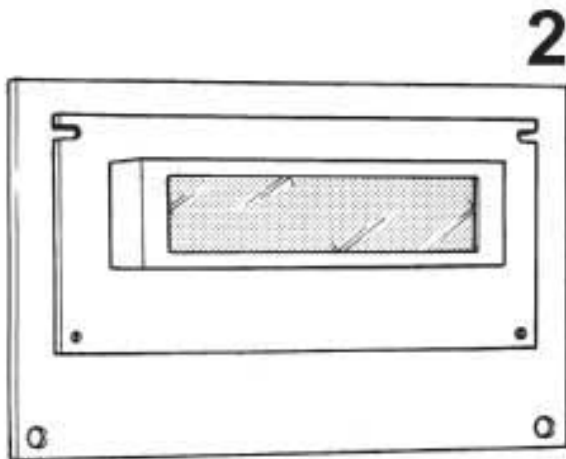
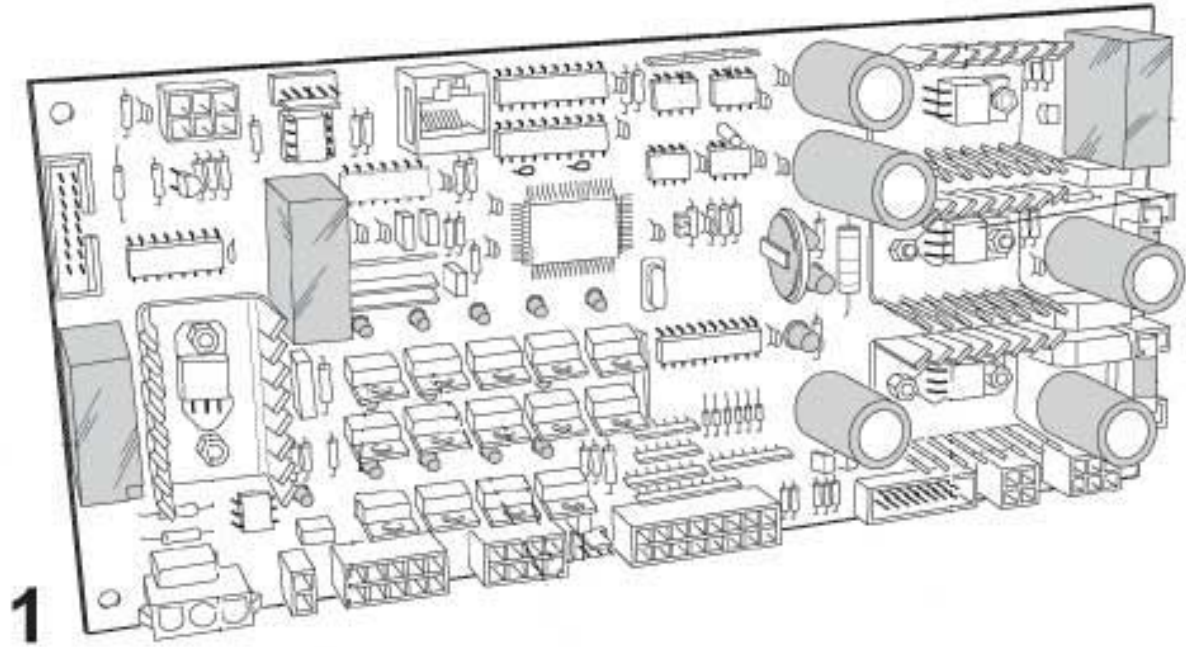


2



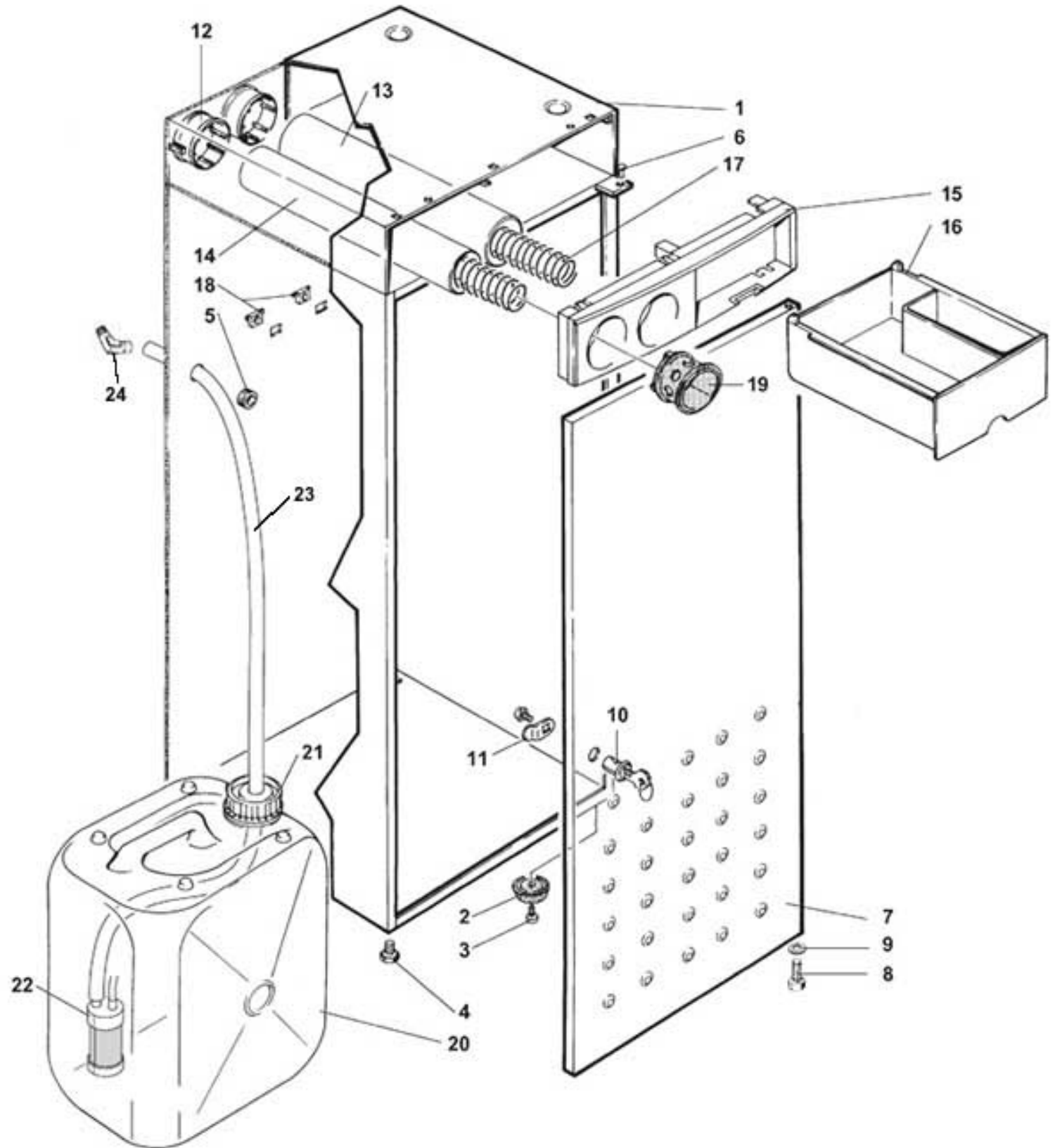
XS - CONTROL AND POWER LOGIC

Pos.	Code	Description
1	SCH0004800	CPU/ POWER XS
1/a	ELT0004020	TRANSISTOR BDW93C
1/b	ELT0030305	INTEGRATED CIRCUIT 7812
1/c	ELT0030301	INTEGRATED CIRCUIT 7805
1/d	ELT0004209	TRIAC TRIAC 16 A
1/e	ELT0007159	2-WAY 24V D.C. 10A RELAY
1/f	ELT0007151	1-WAY 24V D.C. 10A RELAY
1/g	ELT0030064	EAROM 93LC66B/P MICROCHIP
1/h	ELT0030059	EPROM 27C512
1/i	ELE0003028	6,3A SLOW-BLOW GLASS FUSE 5x20
1/l	ELE0003025	2A RAPID GLASS FUSE 5x20
1/m	ELT0030471	RIBBON CABLE 12P.
1/n	ELT0004028	TRANSISTOR VNP14NV04-E ST
2	SCH0005280	DISPLAY
3	SCH0003240	XS-E EXPANSION
3/a	ELT0007151	1-WAY 24V D.C. 10A RELAY
3/b	ELE0003028	6,3A SLOW-BLOW GLASS FUSE 5x20



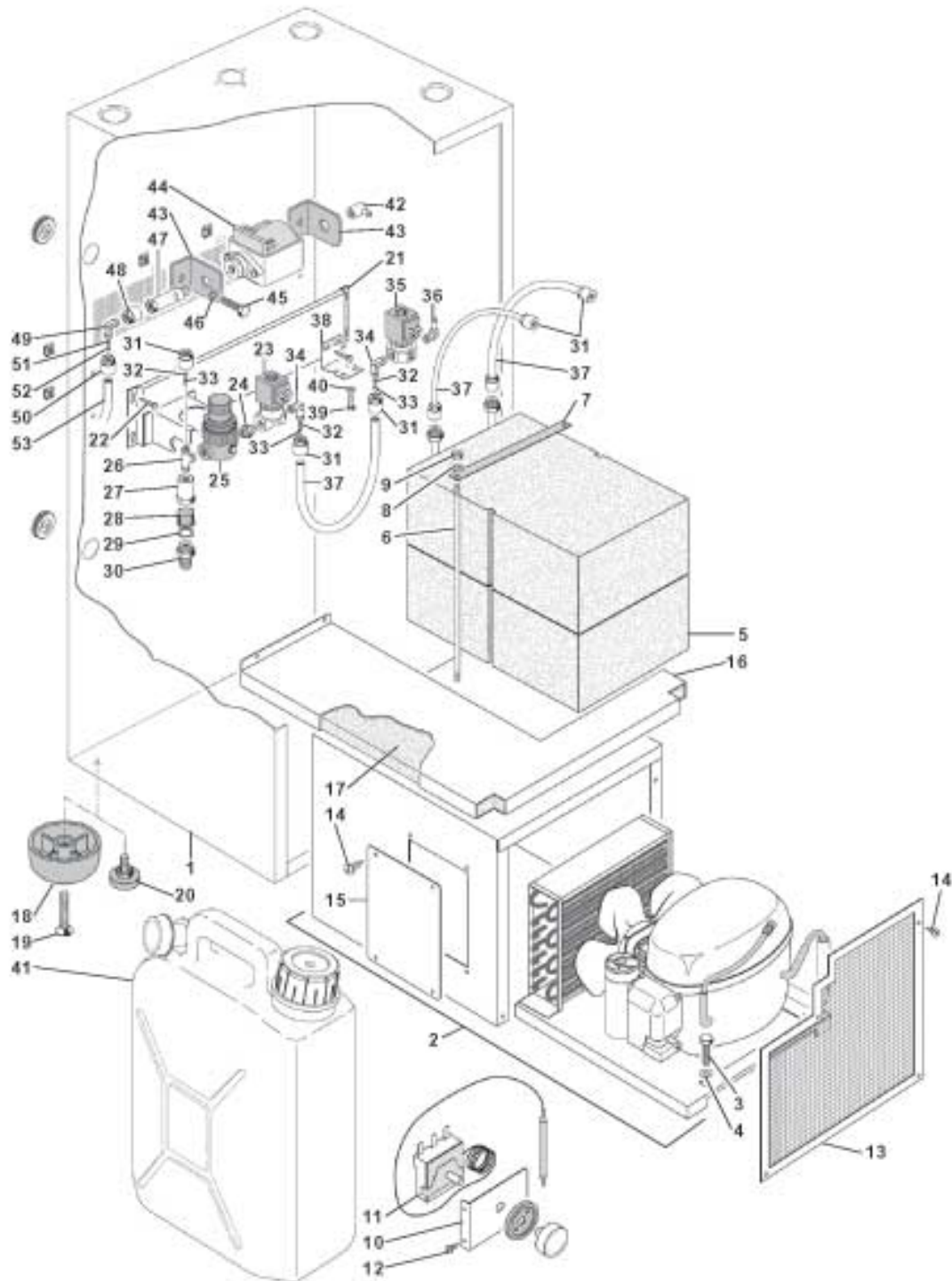
XS - NEW ELECTRONIC CONTROL AND POWER LOGIC

Pos.	Code	Description
1/a	SCH0007260	CPU/ POWER W/HOLDER
1/b	SCH0006120	CPU/POWER UL XM FOR VERSION UL
2/a	SCH0005280	DISPLAY
2/b	SCH0005380	CYRILLIC DISPLAY
3/a	SCH0003240	XS-E EXPANSION ONLY FOR ESPRESSO VERSIONS
3/b	SCH0005420	UL XS-E EXPANSION FOR VERSION UL



XS - BASE WITH AUTONOMOUS KIT

Pos.	Code	Description
1/a		SELECT IN THE ORDER THE MODEL OF THE BASE EXPECTED (COLOR, CUPS D.,VERSION)
1/b		SELECT IN THE ORDER THE MODEL OF THE BASE EXPECTED (COLOR, CUPS D.,VERSION)
2	0010005016	CABINET FEET
3	VIT0002401	SCREW TCB 3.5 x 9.5
4	VIT0010504	D.22x7 M6x20 ADJUSTABLE FEET
5	GUA0010502	MEMBRANE CORE HITCH Ø 21
6	0010020313	DOOR HINGE UPPER PIN
7/a		SELECT IN THE ORDER THE MODEL OF THE BASE EXPECTED (COLOR, CUPS D.,VERSION)
7/b		SELECT IN THE ORDER THE MODEL OF THE BASE EXPECTED (COLOR, CUPS D.,VERSION)
8	VIT0000205	SCREW TE M4x10
9	VIT0003003	WASHER D.8 x 4.3 x 0.8
10	SER0000026	LOCK BOX 5 DT mm 20 RAPID
11	SER0001008	DOOR LOCK BRACKET TYPE 6
12	0010020324	CUP TUBE SUPPORT
13	0010020325	CUP GUIDING TUBE DIAM. 70
14	0010020326	CUP GUIDING TUBE DIAM. 57
15	0010020311	FRONT COVER FOR CABINET
16	0010020344	FRONT COVER DRAWER
16/a	0010020312	FRONT COVER DRAWER
17	0010020334	CUP PUSHING SPRING
19	0010020318	REDUCTION FOR CUPS D.57
20	CON0000304	20 LT. CANISTER It's part of kit CON0000304R
21	CON0000305	CANISTER PLUG
22	0110004028	ELEGANT 24V-DC PUMP
23	TSIL07/11T	TRANSPARENT SILICONE PIPE D.7 x 11
24	0100003013	TGV PUMP ELBOW
100	KIT0110004029	IMMERSION PUMP KIT WITH TANK (POS.20+101)
101	KIT0110004028	IMMERSION PUMP KIT FROM POS. 21 TO POS. 24



XS - BASE WITH FP REFRIGERATING GROUP

Pos.	Code	Description
1		SELECT IN THE ORDER THE MODEL OF THE BASE EXPECTED (COLOR, CUPS D.,VERSION)
2/a	0550050014CL	
2/b	0550050012CL	
3	VIT0001109	
4	VIT0003303	WASHER D.6.5 x 18 x 1.5
5	0550006015	POLYSTYRENE HALF-SHELL
6	0550006005	TANK SECURING TIE-BOLT
7	0550006006	TANK SECURING PLATE
8	VIT0003104	WASHER tab D. 5.1
9	VIT0004504	M 4 NUT
10	0010020382	
11	ELE0000919	REMOTE THERMOSTAT
12	VIT0002401	SCREW TCB 3.5 x 9.5
13	0010020381	
14	VIT0002009	SCREW T.C.B. 3.5 x 6,5
15	0550060010	
16	0010020388	
17	0010020389	
18	0010019967	FEET D. 60X25
19	VIT0000124	M 6x35 TSP SCREW
20	VIT0010501	SETTING PLATT ES.M 8 x 22 D.30 BLACK
21	0010020383	WATER COMPONENTS SUPPORT
22	VIT0000211	
23	0110001064	24 DC 1/8 VALVE WITHOUT/SETTING
23/a	0110010009	OR FOR 2-WAY VALVE
24	0100001014	STRAIGHT CONNECTION SO110-8-1/
25	0110003007	WATER MICROREGULATOR 1/4 0-8 bar
26	0100001036	
27	0170005007	FILTER SUPPORT
28	0110020007	D.20 PLASTIC FILTER
29	GUA0003201	D.26x22x1.5 COPPER GASKET
30	0170005006	FILTER-HOLDER CONNECTION
31	0100001003	NUT FOR PIPE FITTING D.6-1/4
32	0100002005	STRENGTHENING BUSH D.4
33	0100002002	LOCKING RING D.6
34	0100001020	
35	0110001076	24 DC 1/8 2-WAY VALVE WITH SETTING
36	250020146	ELBOW CONNECTION
37	TNAY000001	D.6*4 POLYAMIDE PIPE
38	0810010211	VALVE SUPPORT BRACKET
39	VIT0000204	M 4X8 TSP SCREW
40	VIT0003301	WASHER D.12 x 4.3 x 1.5
41	CON0000301	
42	0110004023	PIPETTE
43	0110004022	BRACKET SUPPORT
44	0110004021	230V 50 HZ PUMP FOR XS CABINET
45	VIT0000014	M 4x16 TCB SCREW
46	VIT0003301	WASHER D.12 x 4.3 x 1.5
47	0100001014	STRAIGHT CONNECTION SO110-8-1/
48	0100001004	NUT FOR D.8-1/4 PIPE FITTING
49	0100001022	L FITTING 6-3/8M CON.
50	0100001005	NUT FOR D.8-3/8 PIPE FITTING
51	0100002006	STRENGTHENING BUSH SO3-8-6
52	0100002003	LOCKING RING D.8
53	TNAY000002	
100	KITXS00105	230V AUTONOMOUS KIT W/FP CANISTER